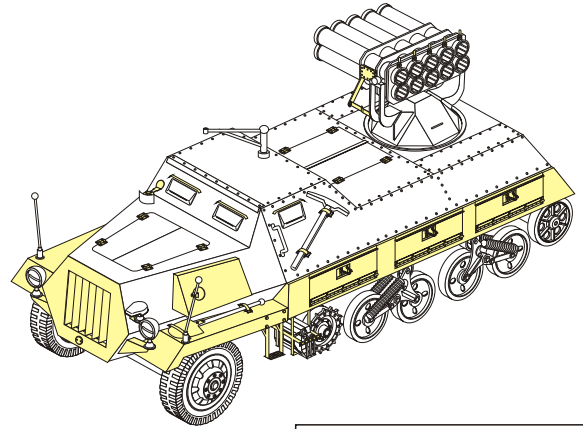


1/35 MILITARY MINIATURE VEHICLE UPGRADE SERIES PE35066

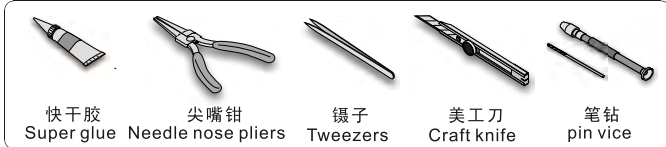
WWII German Pz.WF.42 Auf Maultier

二战德军“穆迪亚”火箭炮改造件


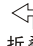







[For Italian 0277]




推荐使用工具 RECOMMENDED TOOLS

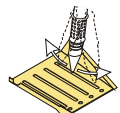
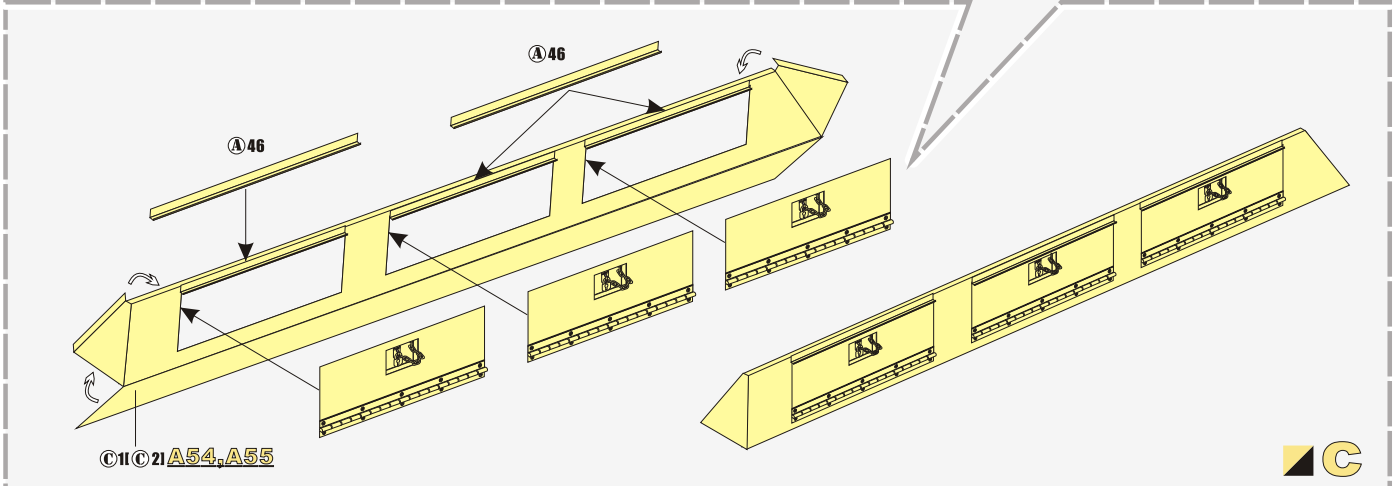
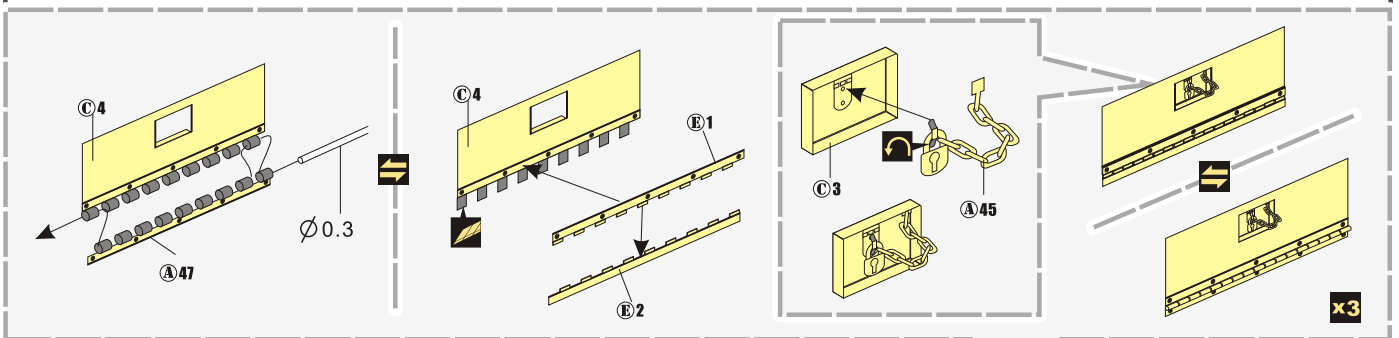
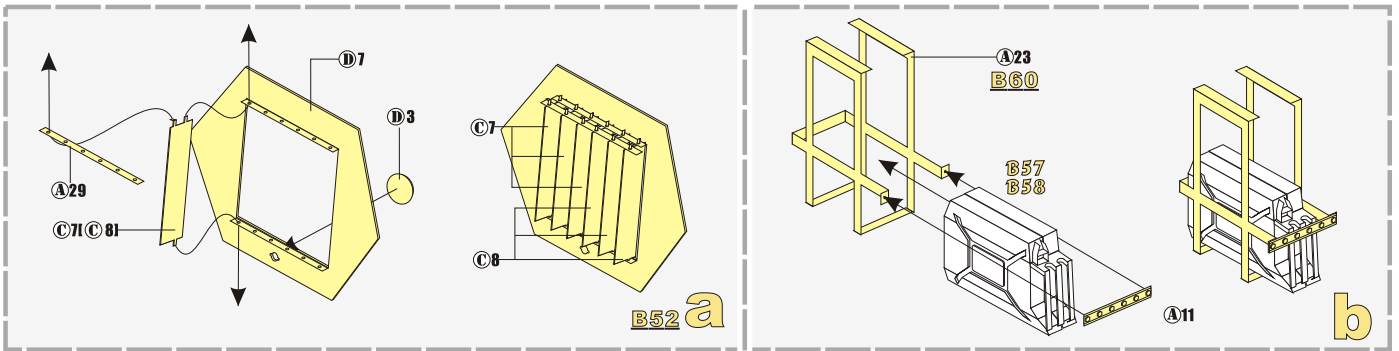


快干胶 Super glue 尖嘴钳 Needle nose pliers 镊子 Tweezers 美工刀 Craft knife 笔钻 pin vice

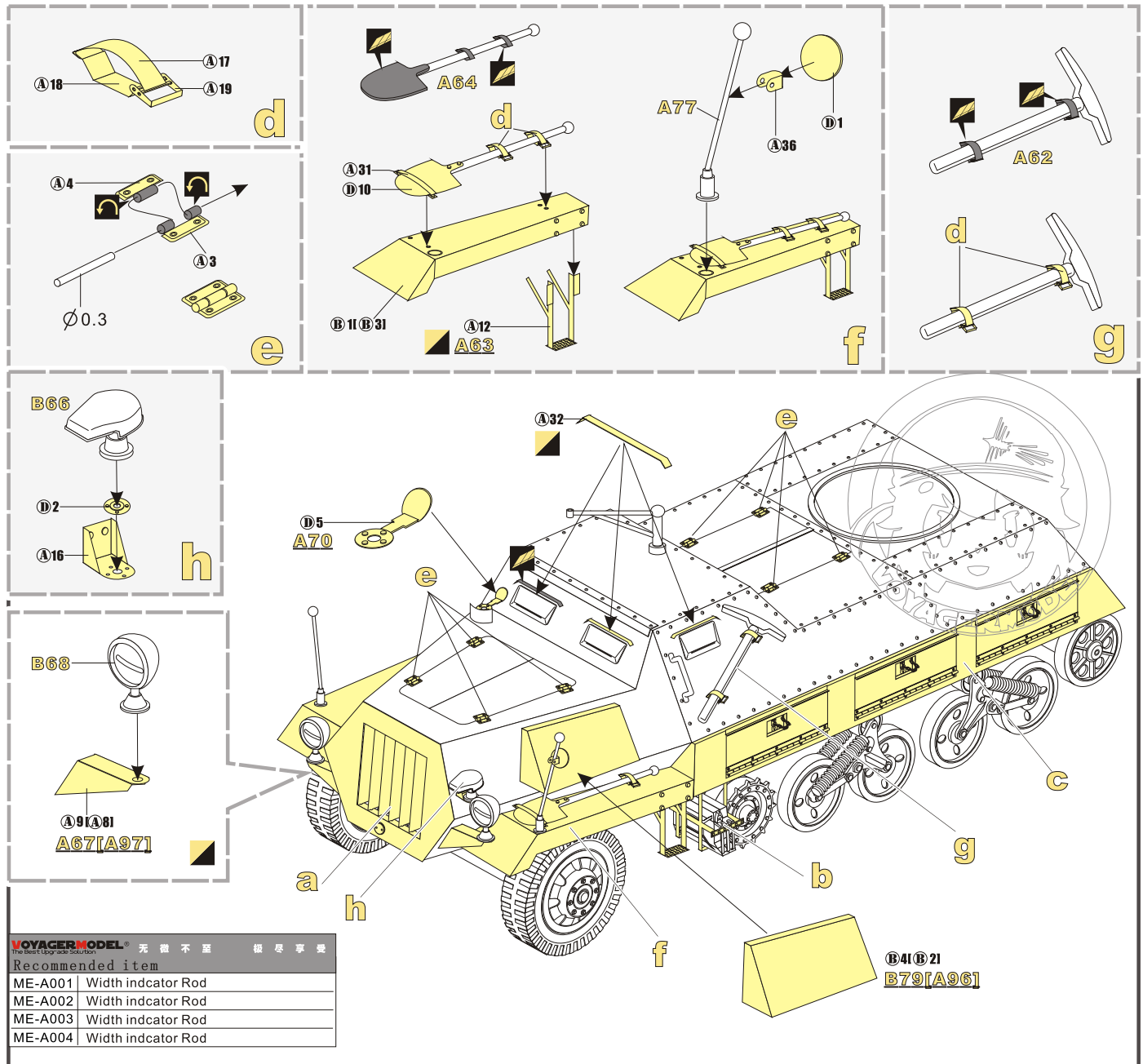
- 
 安装
install
- 
 折叠
bend
- A1**
 改造件零件编号
PE/resin part number
- B12**
 原零件编号
kit part number
- C22**
 被替换的原零件编号
replaced kit part number
- 
 另一侧相同制作
repeat on opposite side
- 
 切除
remove
- 
 打磨
grind off
- 
 弧度卷曲
radial bending
- x2**
 制作若干组
multiple assembly
- 
 选择安装
alternative
- 
 钻孔
drill
- 
 用胶棒制作
make from plastic rod


 用尖端在凹槽处冲压
use penpoint to press on the dent

蚀刻片零件内面向上
Put the part upside down
 用笔尖在凹槽处划
Use penpoint to press on the dent

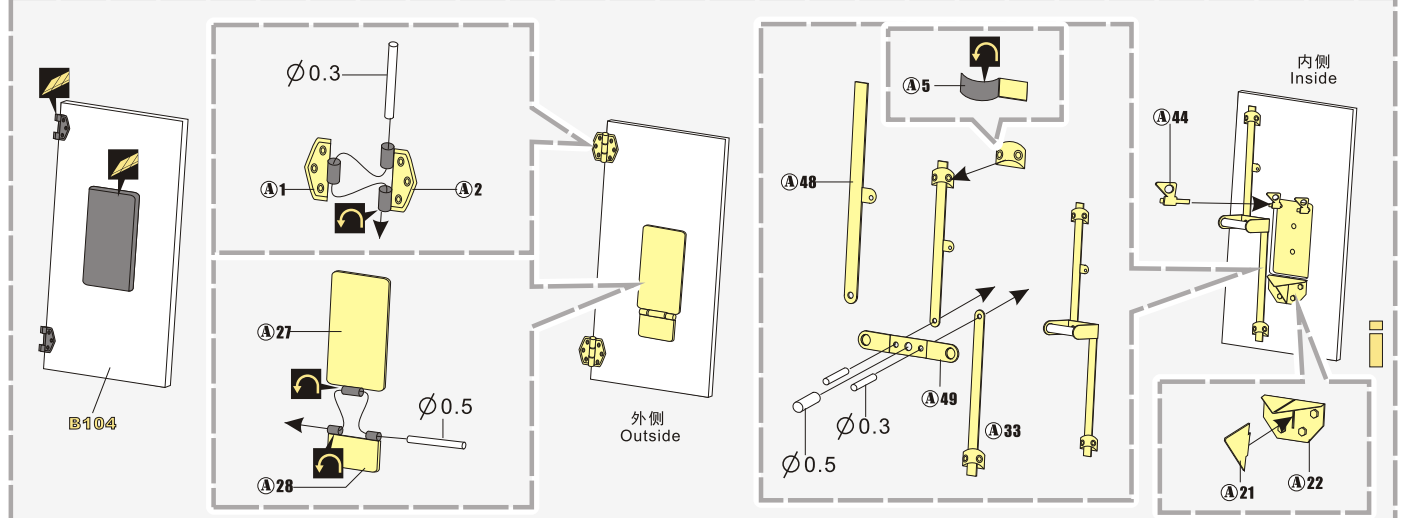



1/35 MILITARY MINIATURE VEHICLE UPGRADE SERIES PE35066



VOYAGERMODEL® 无微不至 极尽享受
The Best Upgrade Solution

Recommended item	
ME-A001	Width indicator Rod
ME-A002	Width indicator Rod
ME-A003	Width indicator Rod
ME-A004	Width indicator Rod



1/35 MILITARY MINIATURE VEHICLE UPGRADE SERIES PE35066

外側
Outside

内側
Inside

B105

Ø 0.3

Ø 0.5

A15 A20 A26

胶板自制
Made of plastic board

B100 A102 C6 D4 D8 A101

A24 A22 C9 D6 D11

A48 A49 A33 A5 A50

1:35 scale

Ø 0.3 Ø 0.5

A37 A50

建议自制发射筒上的管线
We suggest make the wire on the launchers by yourself

根据您的喜好选择使用工具组
Use these tools as you like

A40 A50 A42 A41 A44

Ø 0.5

D9 A51 B98 C5 B103 A43 B99

<http://www.voyagermodel.com/productdetails.asp?itemid=PE35066>



VOYAGER MODEL



更多PE35066样品照片参考请扫一扫
MORE PICTUER OF PE 35066
REFERENCE SCAN HERE