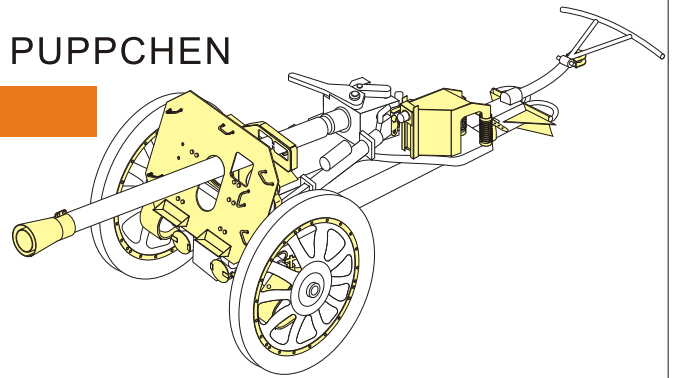


1/35 MILITARY MINIATURE VEHICLE UPGRADE SERIES PE35090

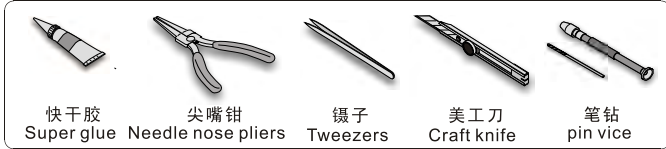
WWII German 88mm Raketenwerfer43 PUPPCHEN

二战德军43型88毫米洋娃娃反坦克炮


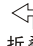







[For DRAGON 6097 6114 6528]




推荐使用工具 RECOMMENDED TOOLS

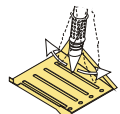
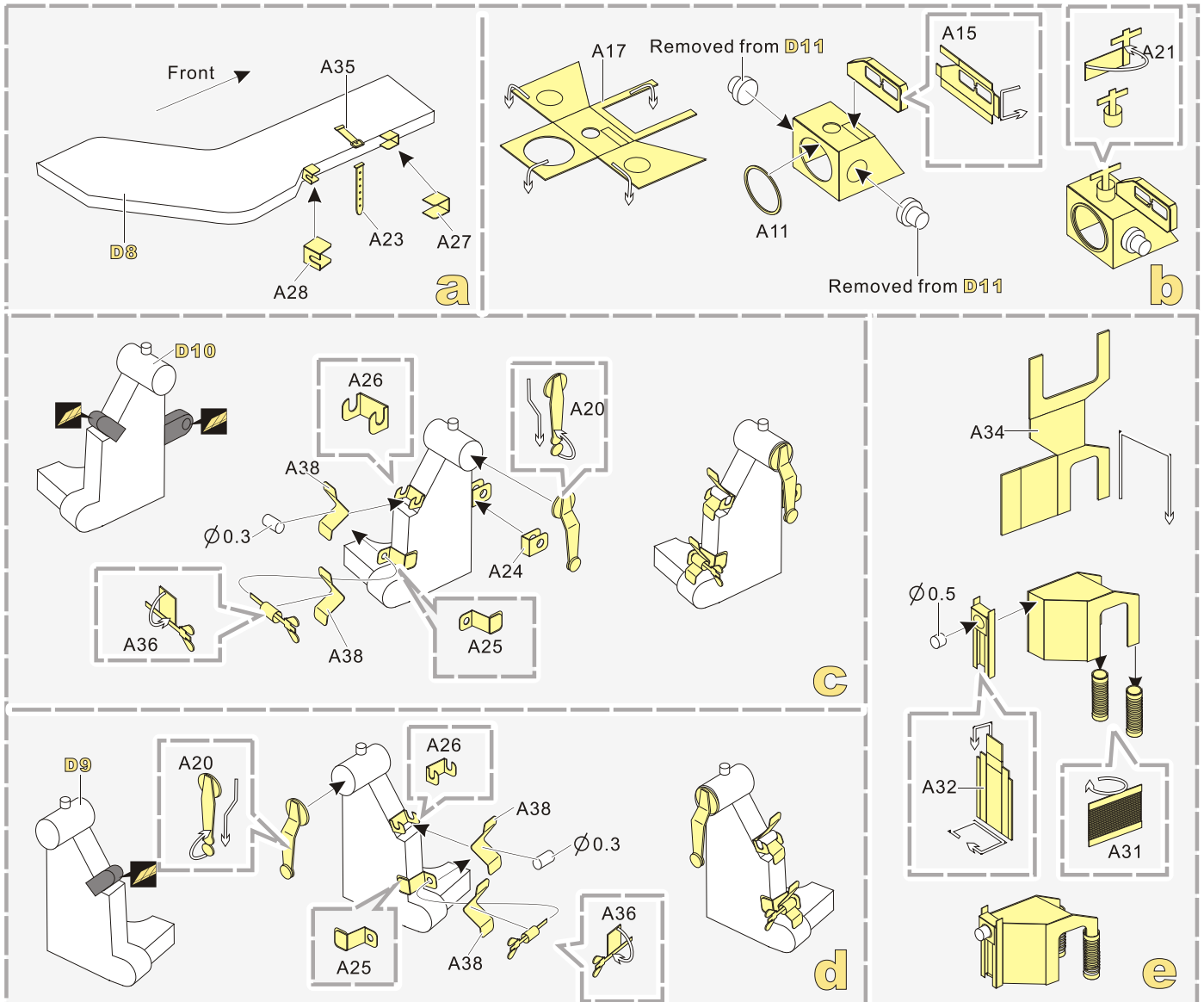


快干胶 Super glue 尖嘴钳 Needle nose pliers 镊子 Tweezers 美工刀 Craft knife 笔钻 pin vice

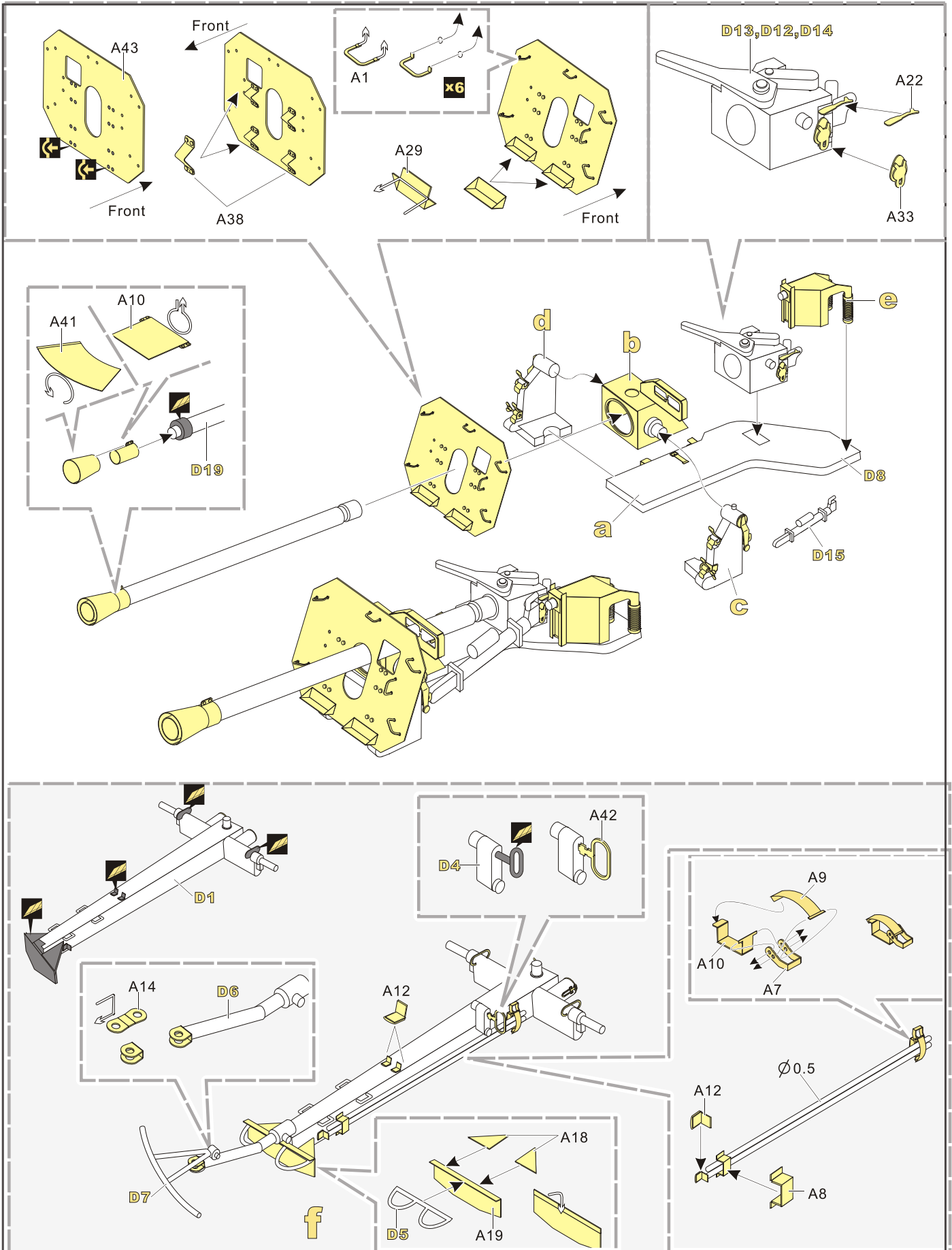
- 
 安装
install
- 
 折叠
bend
- A1**
 改造件零件编号
PE/resin part number
- B12**
 原零件编号
kit part number
- C22**
 被替换的原零件编号
replaced kit part number
- 
 另一侧相同制作
repeat on opposite side
- 
 切除
remove
- 
 打磨
grind off
- 
 弧度卷曲
radial bending
- x2**
 制作若干组
multiple assembly
- 
 选择安装
alternative
- 
 钻孔
drill
- 
 用胶棒制作
make from plastic rod


 用尖端在凹槽处冲压
use penpoint to press on the dent

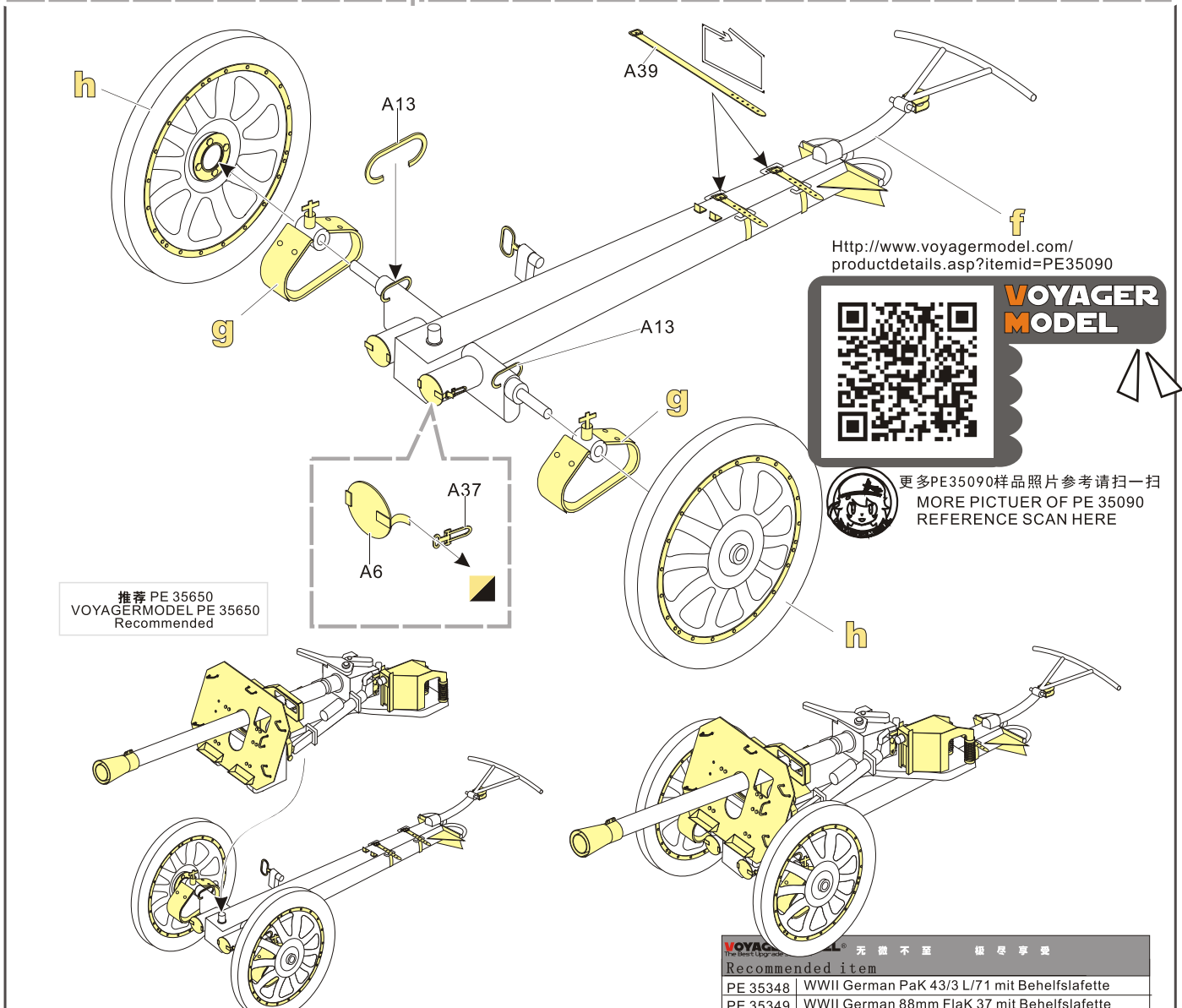
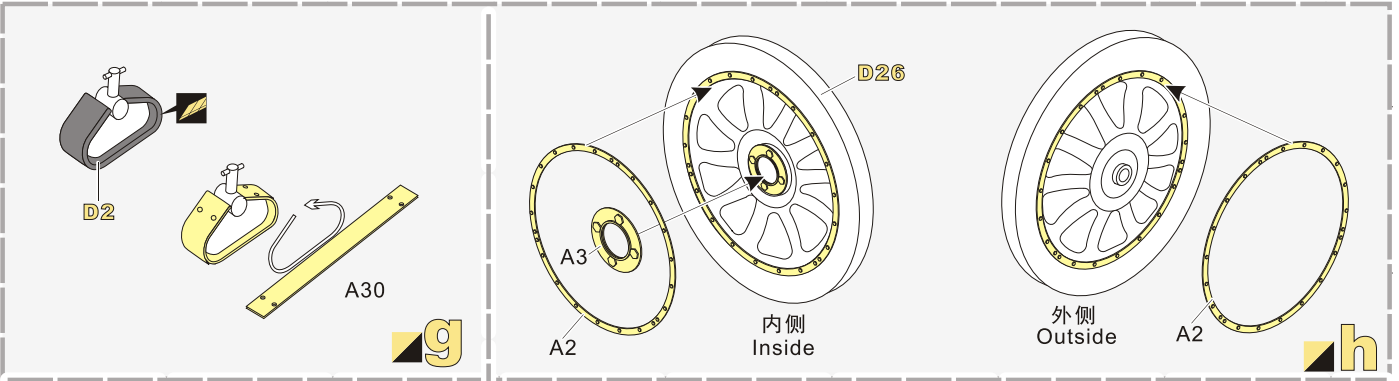
蚀刻片零件内侧面向上
Put the part upside down
 用笔尖在凹槽处刮
Use penpoint to press on the dent

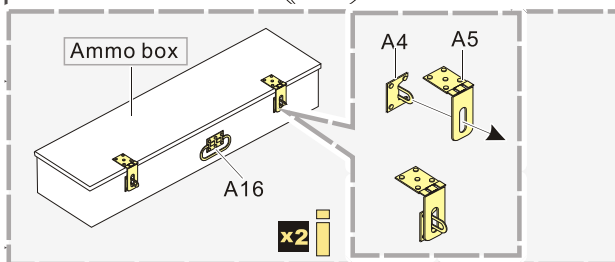
1/35 MILITARY MINIATURE VEHICLE UPGRADE SERIES PE35090



1/35 MILITARY MINIATURE VEHICLE UPGRADE SERIES PE35090



推荐 PE 35650
VOYAGERMODEL PE 35650
Recommended



VOYAGERMODEL 沃雅 无微不至 极尽享受	
Recommended item	
PE 35348	WWII German PaK 43/3 L/71 mit Behelfslafette
PE 35349	WWII German 88mm Flak 37 mit Behelfslafette
PE 35439	WWII German 88cm Panzerjägerkanone PaK43
PE 35507	WWII German 8.8cm Pak 43 Waffenträger w/fenders
PE 35289	WWII German 88mm Raketenwerfer43 PUPPCHEN sled version
PE 35060	WWII German 88mm Flak36
PE 35129	WWII German 30MM FLAK38/103
PE 35111	WWII German 20MM FLAK38
PE 35049	WWII German 75mm Pak 40
PE 35067	WWII German 88mm Flak18
PE 35858	WWII German 88mm FLAK37
PE 35207	WWII sFH-18 150mm Howitzer
PE 35255	WWII German sFH18 150mm/K18 105mm