

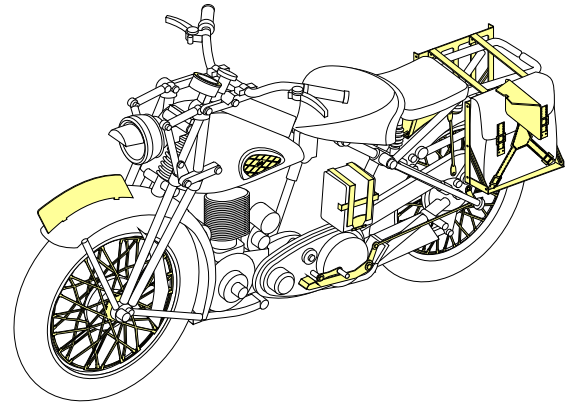
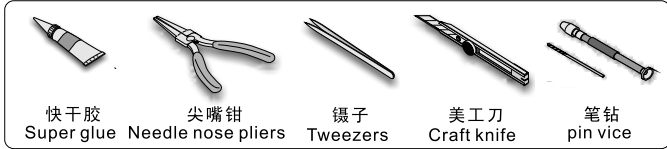
1/35 MILITARY MINIATURE VEHICLE UPGRADE SERIES PE351020


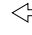








WWII British B.S.A M20 Military Motorcycle upgrade set


二战英国B.S.A M20军用摩托改造件

[For TAMIYA 35316]

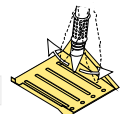
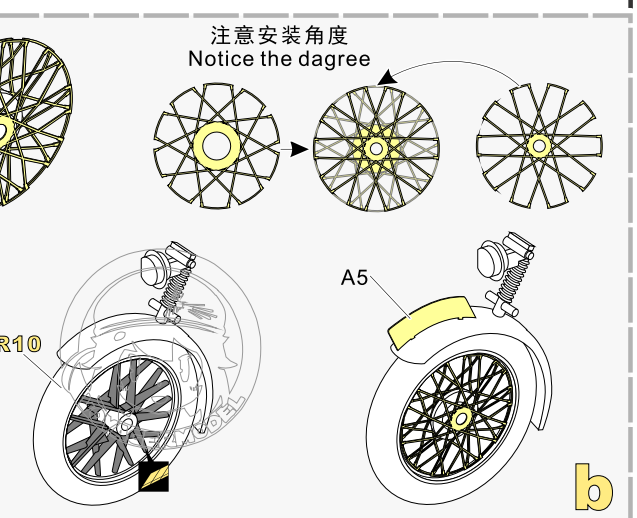
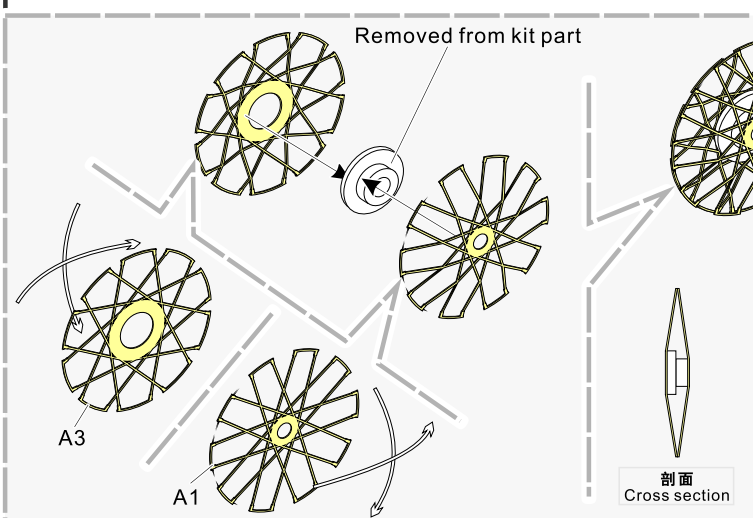
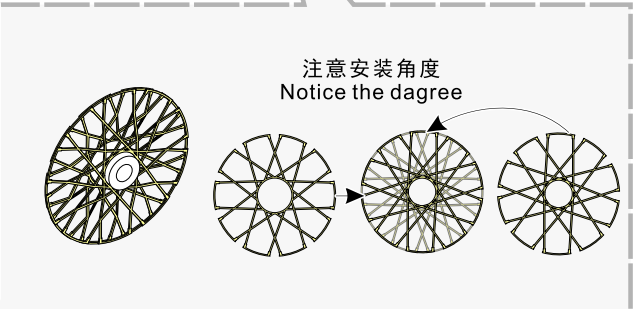
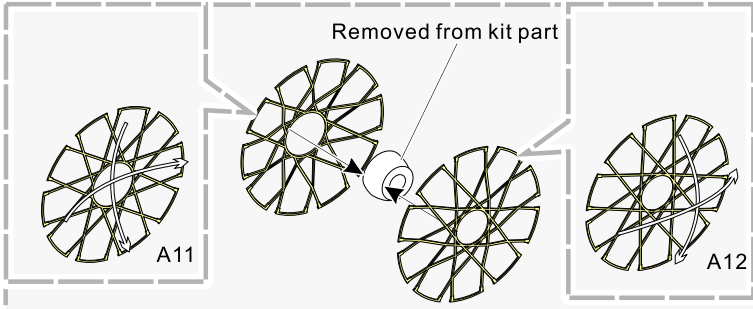
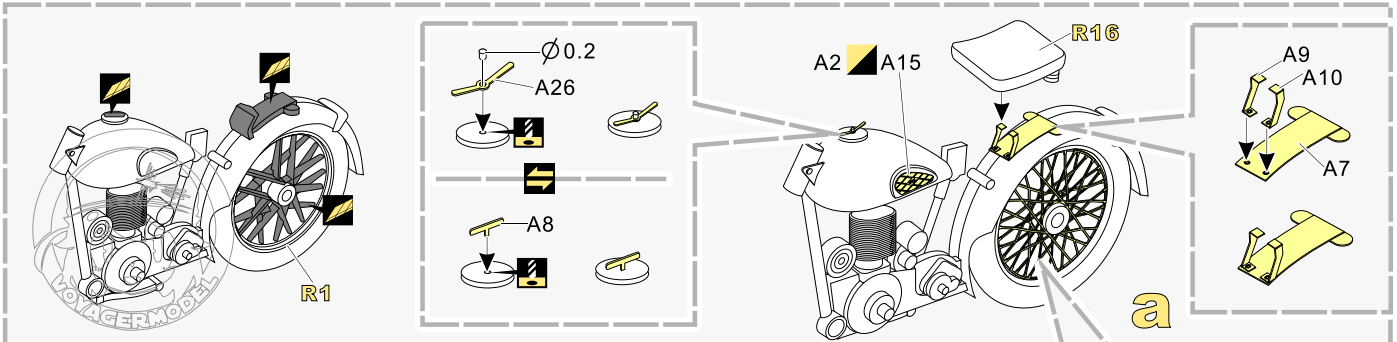
■ 推荐使用工具 RECOMMENDED TOOLS



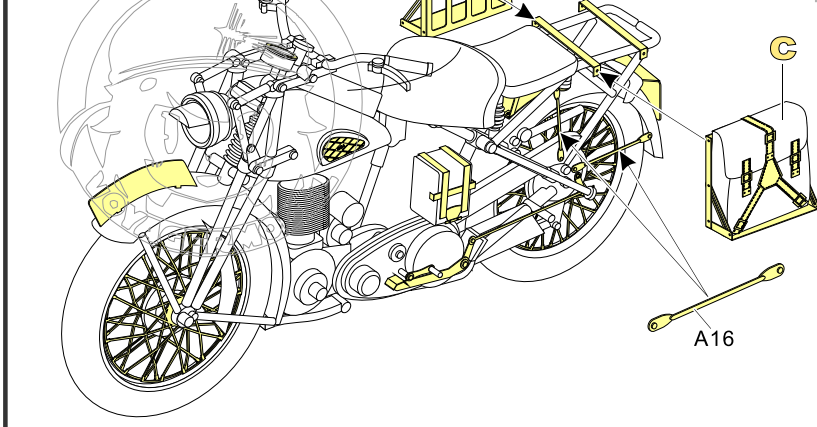
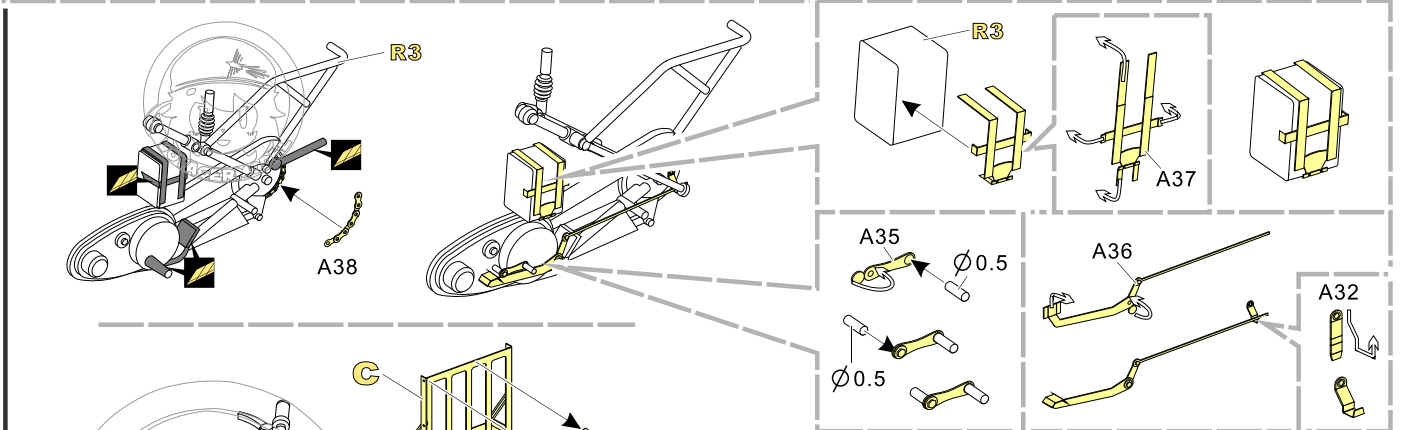
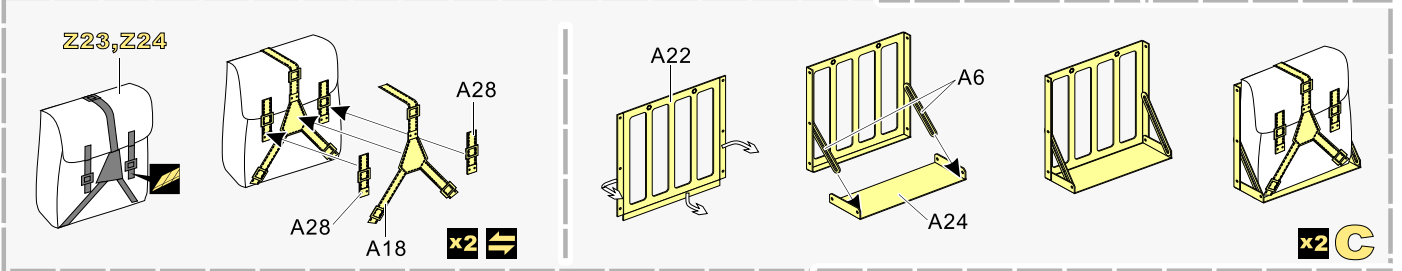
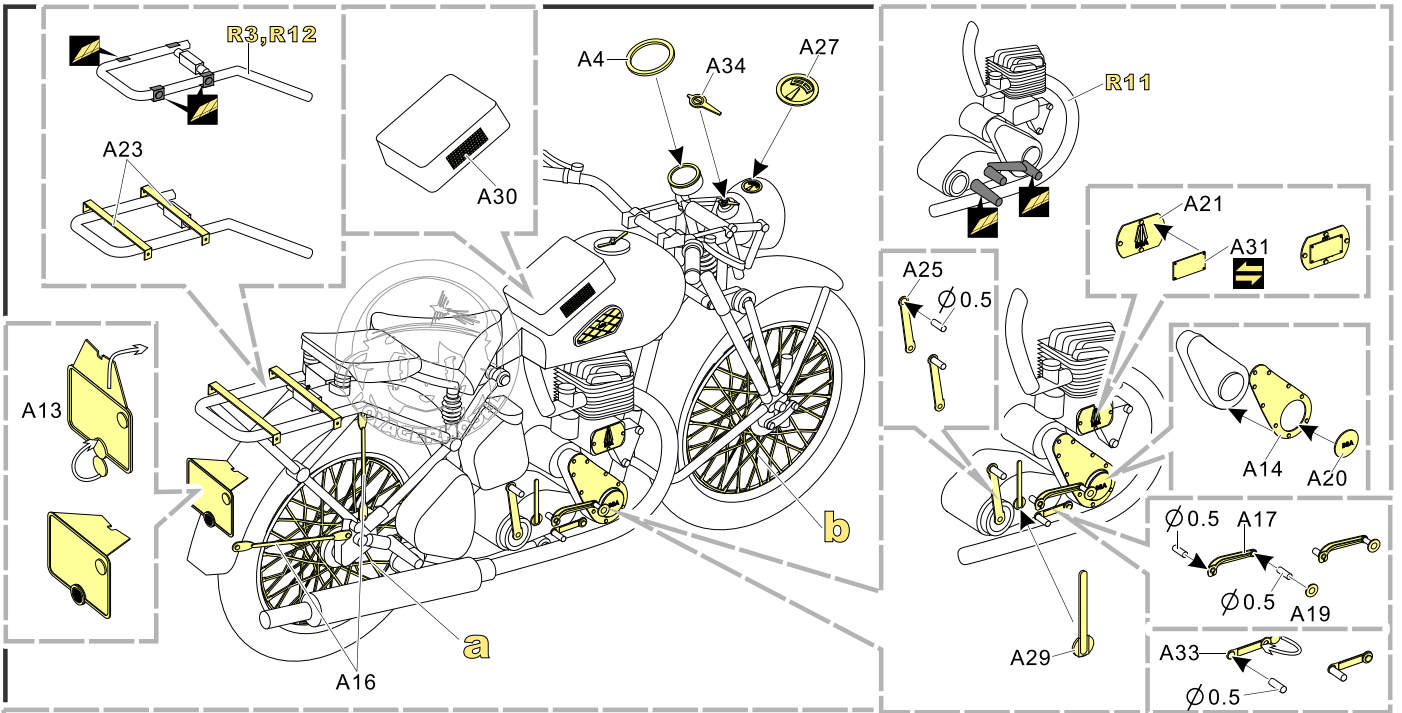
- 
 安装
install
- 
 折叠
bend
- A1**
 改造件零件编号
PE/resin part number
- B12**
 原零件编号
kit part number
- C22**
 被替换的原零件编号
replaced kit part number
- 
 另一侧相同制作
repeat on opposite side
- 
 切除
remove
- 
 打磨
grind off
- 
 弧度卷曲
radial bending
- 
 制作若干组
multiple assembly
- 
 选择安装
alternative
- 
 钻孔
drill
- 
 用胶棒制作
make from plastic rod


 用尖端在凹槽处冲压
use penpoint to press on the dent

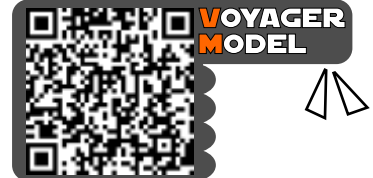
蚀刻片零件内朝面向上
Put the part upside down
 用笔尖在凹槽处刺
Use penpoint to press on the dent

1/35 MILITARY MINIATURE VEHICLE UPGRADE SERIES PE351020



<http://www.voyagermodel.com/productdetails.asp?itemid=PE351020>



更多PE351020样品照片参考请扫一扫
MORE PICTUER OF PE 351020
REFERENCE SCAN HERE

Recommended item

PE 35033	Modern U.S. M1M-104F Patriot SAM System PAC-3 Basic
PE 35093	WWII German Pz.Kpfw.IV Ausf.G (LateProduction) Basic
PE 35114	WWII German DKW NZ350 MOTORCYCLE
PE 35519	WWI French Peugeot 1917 750cc cyl Motorcycle
PE 35256	WWII German Bicycle