

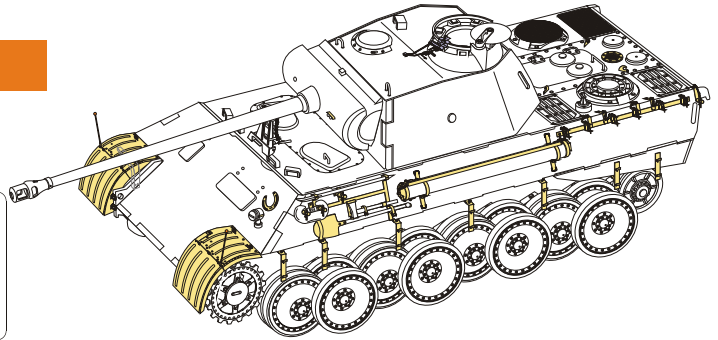
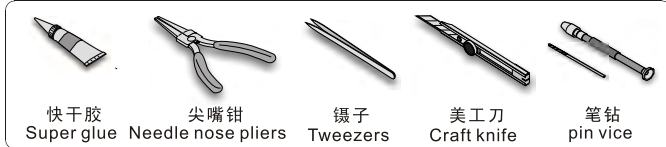
1/35 MILITARY MINIATURE VEHICLE UPGRADE SERIES PE351098

WWII German Panther A early ver. Basic

二战德军黑豹A早期型坦克基本 改造件

[For DRAGON 6160 / 6920]

推荐使用工具 RECOMMENDED TOOLS



- 安装
install
- 折叠
bend
- A1**

改造件零件编号
PE/resin part number
- B12**

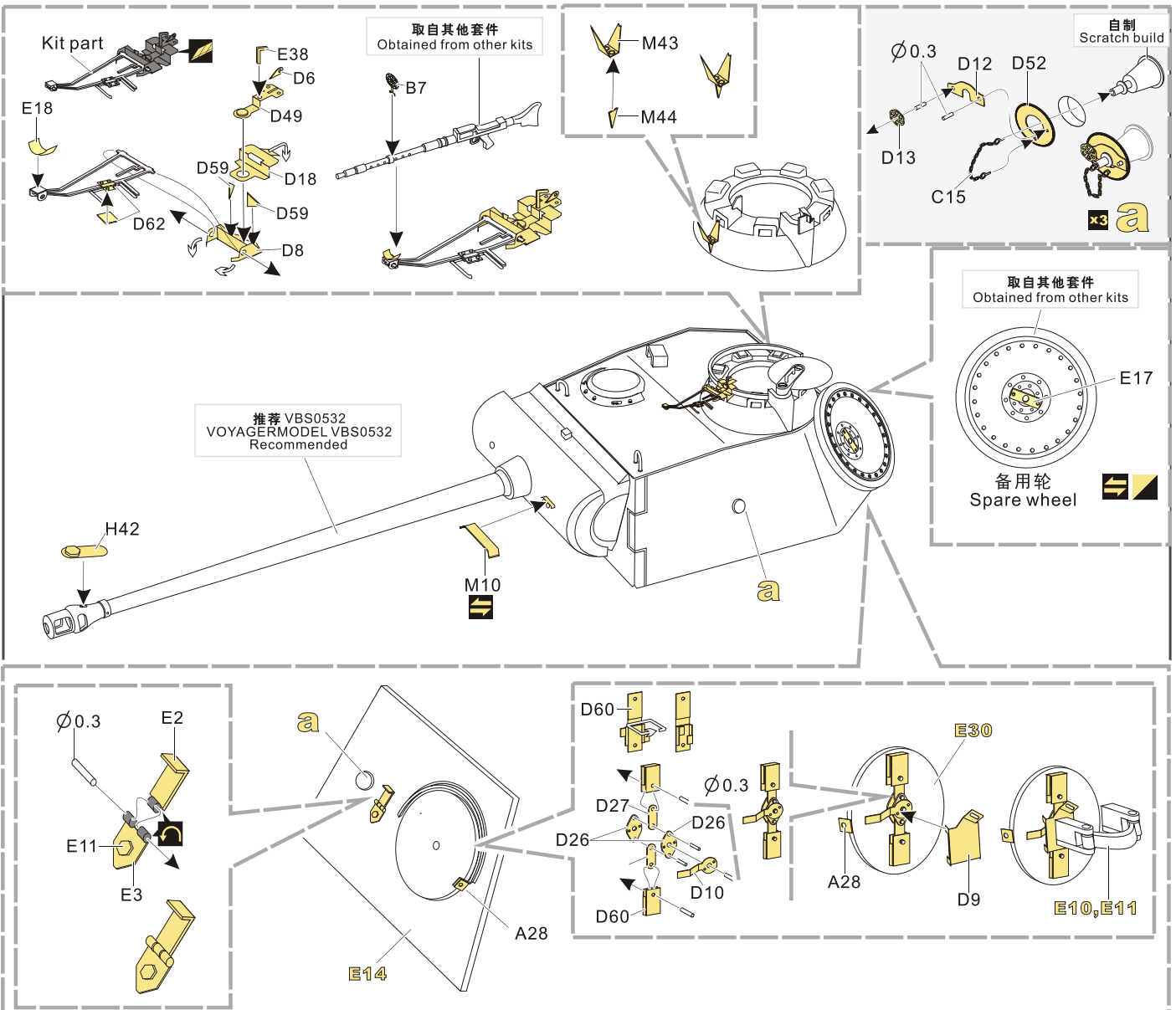
原零件编号
kit part number
- C22**

被替换的原零件编号
replaced kit part number
- 另一侧相同制作
repeat on opposite side
- 切除
remove
- 打磨
grind off
- 弧度卷曲
radial bending
- x2**

制作若干组
multiple assembly
- 选择安装
alternative
- 钻孔
drill
- 用胶棒制作
make from plastic rod

用尖端在凹槽处冲压
use penpoint to press on the dent

蚀刻片零件内侧面向上
Put the part upside down
 用笔尖在凹槽处刺
Use penpoint to press on the dent



1/35 MILITARY MINIATURE VEHICLE UPGRADE SERIES PE351098

b x4

c x2

d x8

e

f

g x2

h x2

i x6

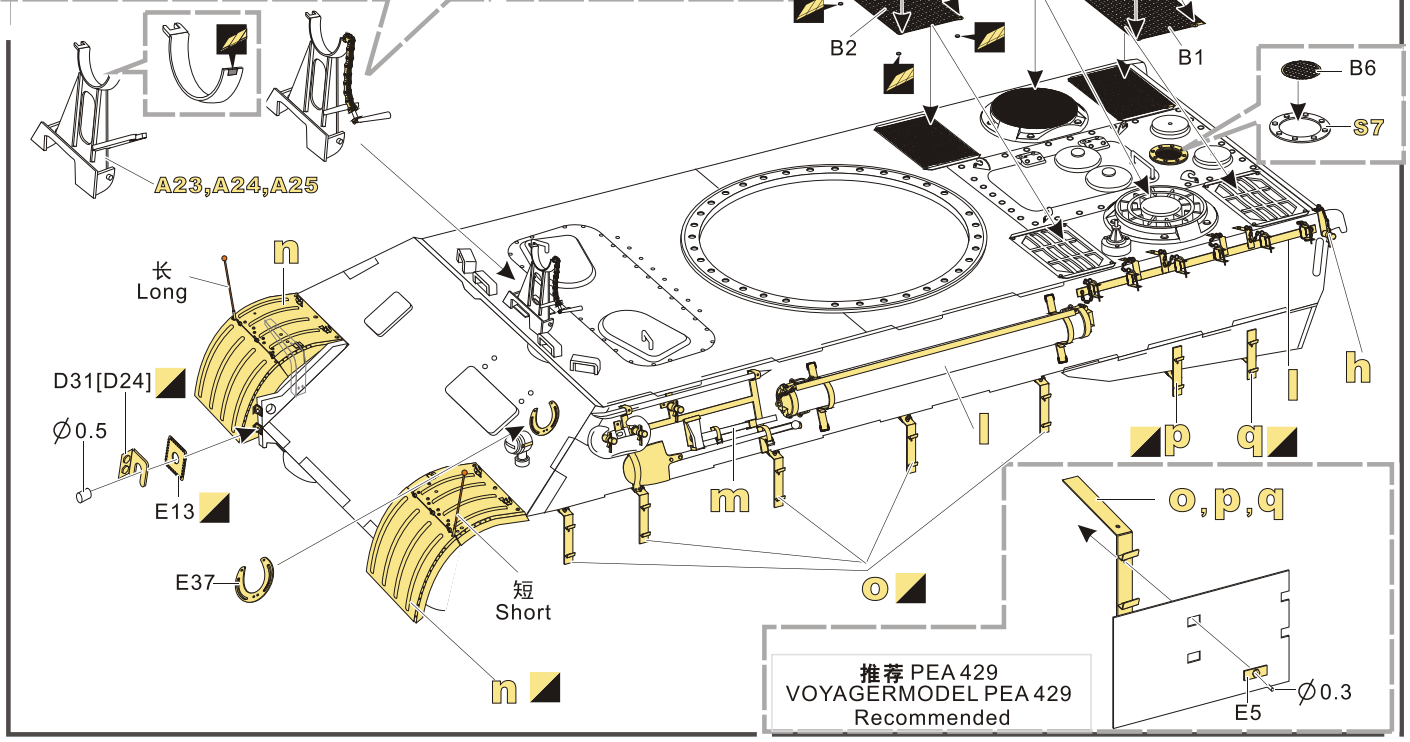
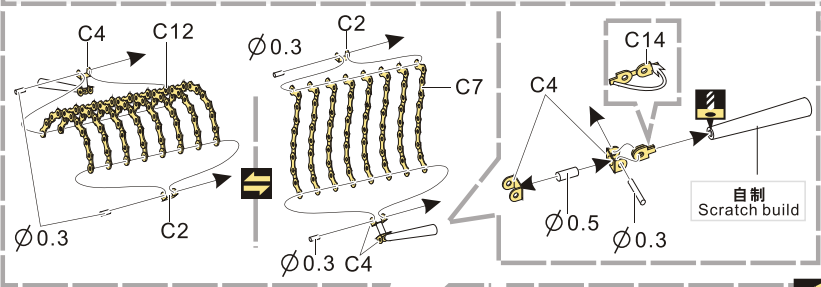
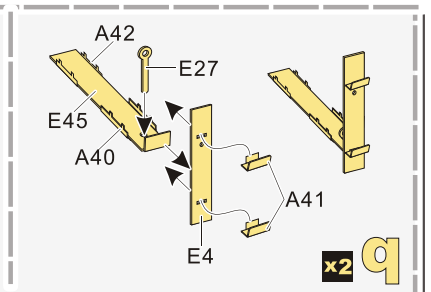
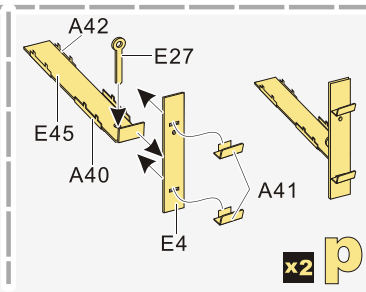
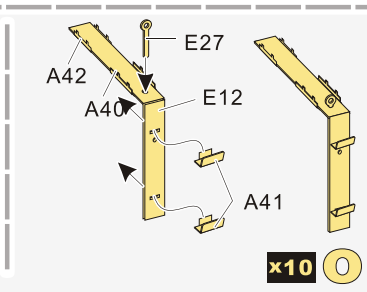
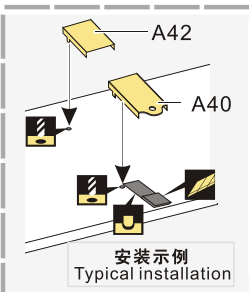
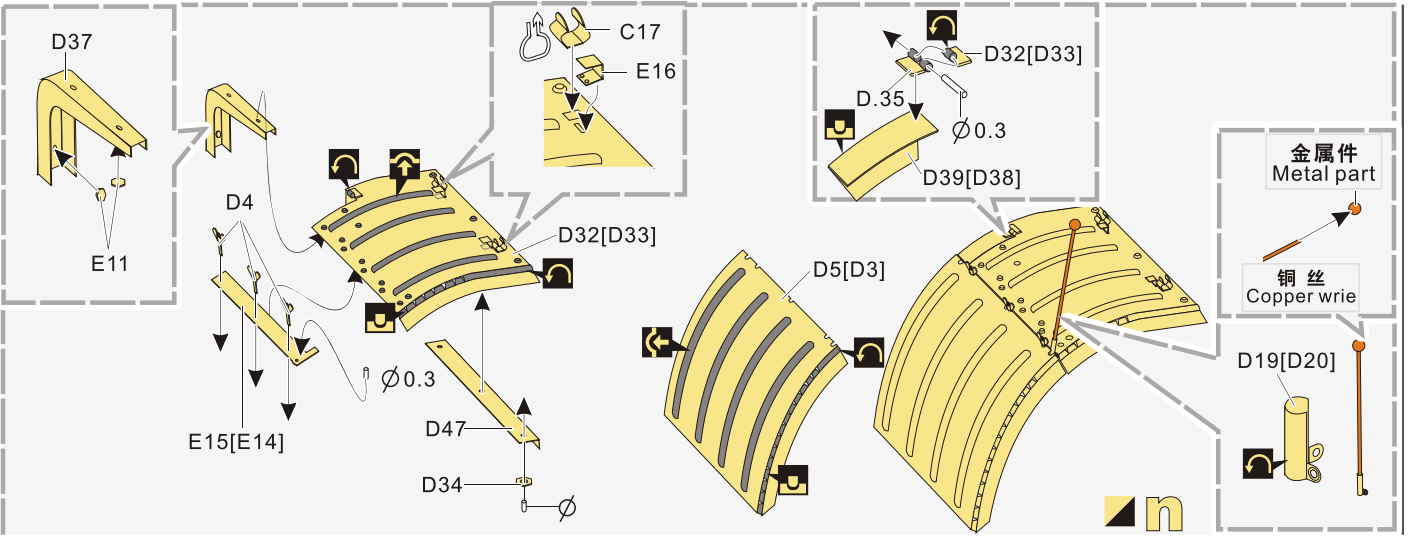
j 自制 Scratch build

k 推荐 PEA070 VOYAGERMODEL PEA070 Recommended
剖面 Cross section

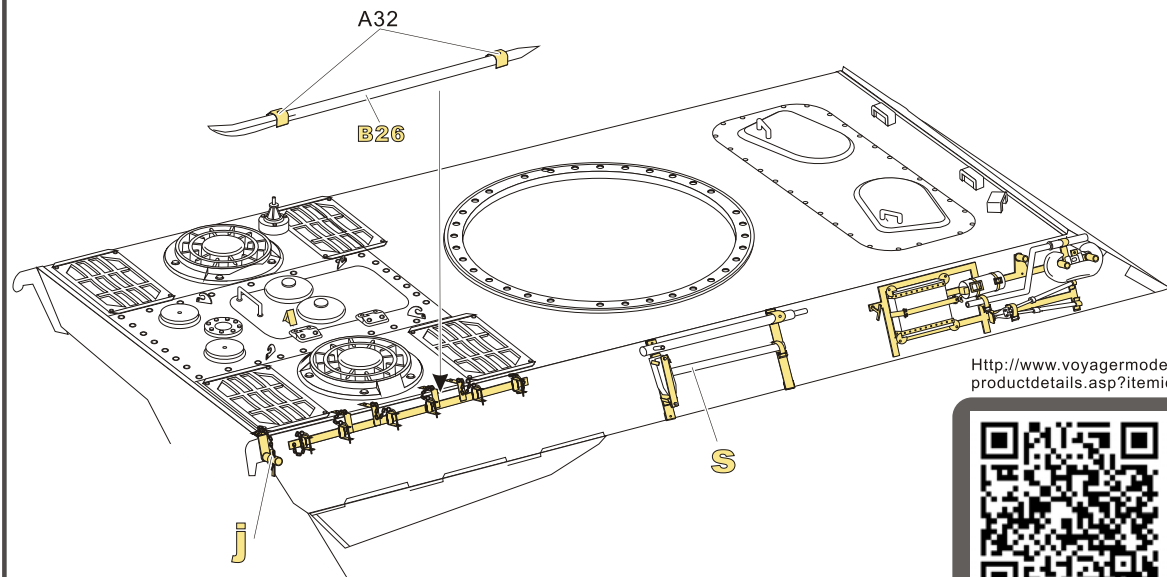
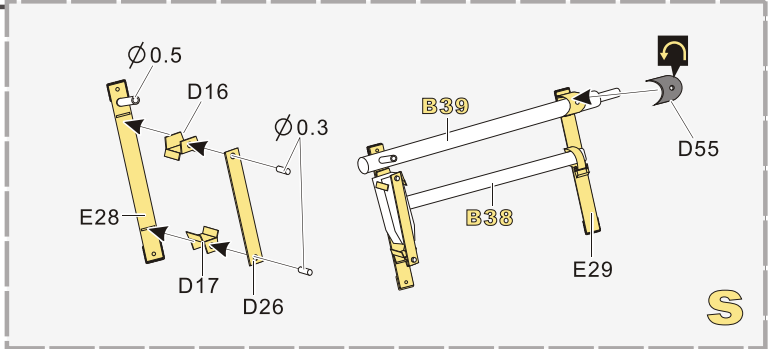
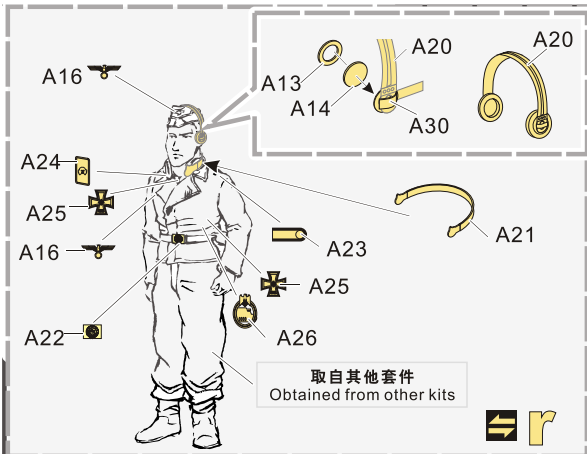
l x2

m

1/35 MILITARY MINIATURE VEHICLE UPGRADE SERIES PE351098



1/35 MILITARY MINIATURE VEHICLE UPGRADE SERIES PE351098



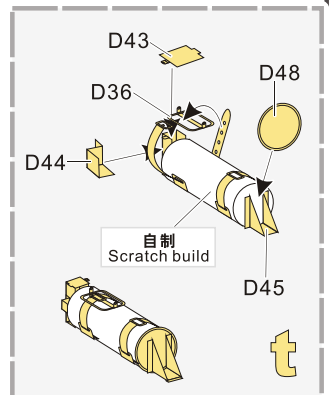
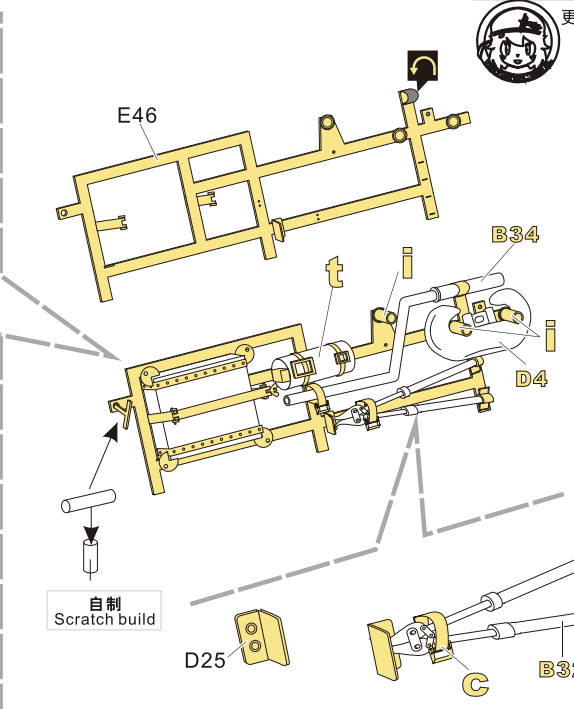
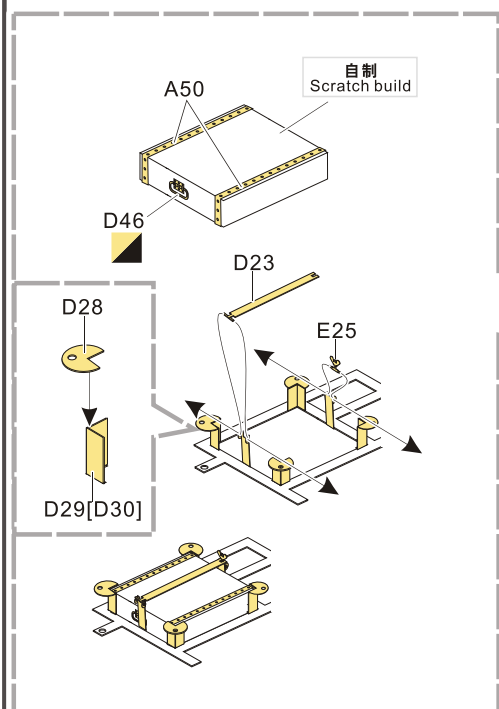
[Http://www.voyagermodel.com/productdetails.asp?itemid=PE351098](http://www.voyagermodel.com/productdetails.asp?itemid=PE351098)



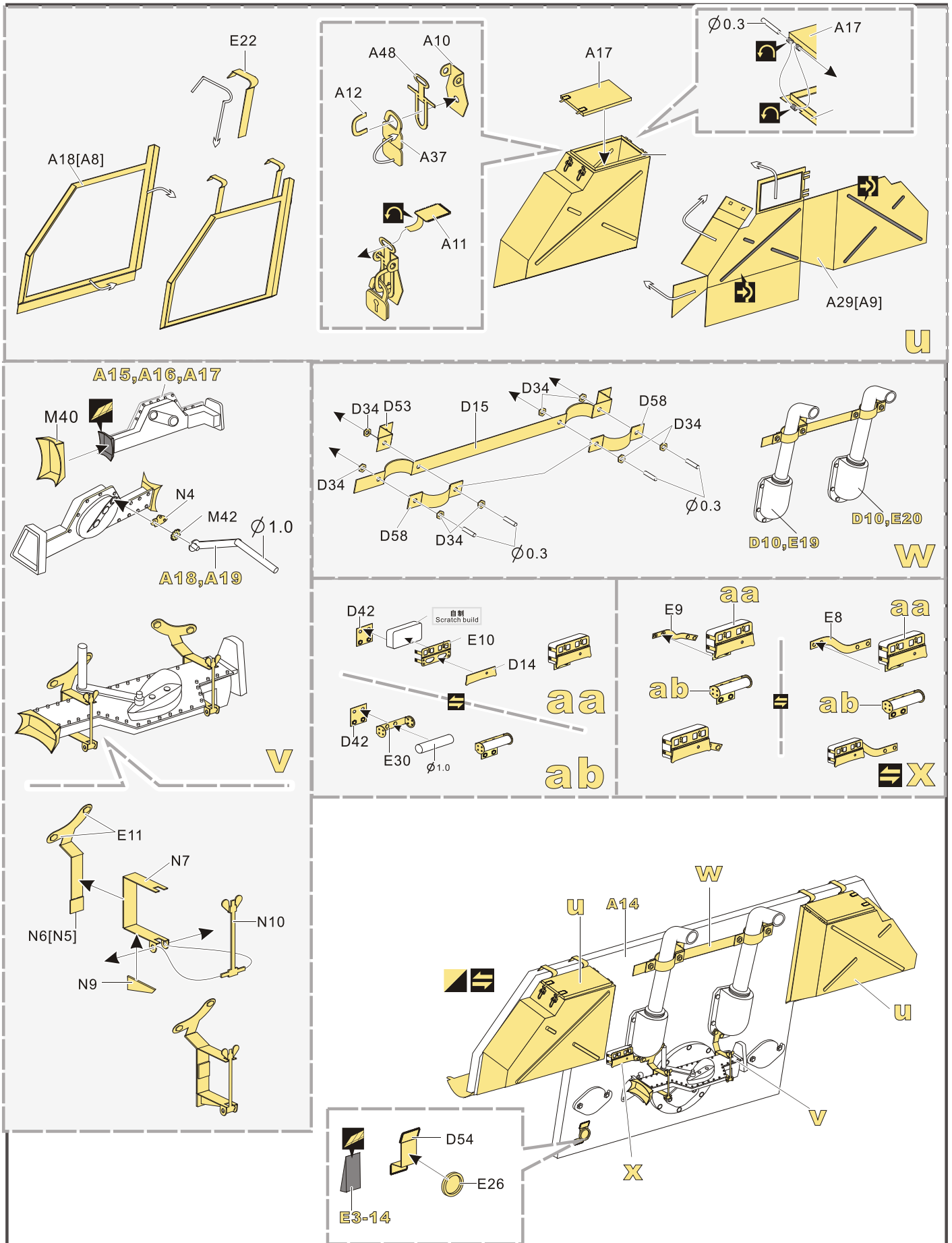
**VOYAGER
MODEL**



更多PE351098样品照片参考请扫一扫
MORE PICTUER OF PE 351098
REFERENCE SCAN HERE



1/35 MILITARY MINIATURE VEHICLE UPGRADE SERIES PE351098



1/35 MILITARY MINIATURE VEHICLE UPGRADE SERIES PE351098

VOYAGERMODEL® 无微不至 极尽享受

Recommended item

| | |
|----------|---|
| VBS0143 | WWII German KwK42 L/70 Gun Barrel for Panther A/G (GP) |
| VBS0144 | WWII German KwK42 L/70 Gun Barrel for Panther A/G (DRAGON SMART KIT) |
| VBS0145 | WWII German KwK42 L/70 Gun Barrel for Panther D (GP) |
| VBS0533 | WWII German KwK42 L/70 Gun Barrel for Panther D (TAKOM) |
| VBS0506 | WWII German KwK42 L/70 Gun Barrel for Panther F |
| VBS0113 | WWII German Jagdpanther G1 Early Version Barrel |
| VBS0114 | WWII German Jagdpanther G1 Late Version Barrel pattern 1 |
| VBS0115 | WWII German Jagdpanther G1 late/G2 Barrel |
| PE 35960 | WWII German Bergepanther Ausf. G Basic |
| PE 35979 | WWII German Bergepanther Ausf. D (Early type, Panther A tool holders) Basic |
| PE 35980 | WWII German Bergepanther Ausf. D (Late type, Panther G tool holders) Basic |
| PE 35981 | WWII German Panther A Tank Basic |
| PE 35982 | WWII German Panther D Tank Early version Basic |
| PE 35995 | WWII German Bergepanther Ausf. D (Late type, Panther G tool holders) Basic |

VOYAGERMODEL® 无微不至 极尽享受

Recommended item

| | |
|-----------|--|
| PEA 428 | WWII German Panther D AntiAircraft Armor |
| PEA 429 | WWII German Panther A/D Schurzen |
| PE 35983 | WWII German Panther D Tank Late version Basic |
| PEA 070 | WWII German Panther/Jagdpanther Cleaning rod bin |
| PEA 270 | WWII German Panther A/G/F. JagdPanzer Demeged Road wheels |
| PE 35939 | WWII German JagdPanther G1 Basic |
| PE 35984 | WWII German Panther A Tank Early version Basic |
| PE 35995 | WWII German Bergepanther Ausf. D (Late type, Panther G tool holders) Basic |
| PE 35996 | WWII German Panther A Tank Basic |
| PE 35927 | WWII German Panther A Late Version |
| PE 351098 | WWII German Panther A early ver. Basic |
| PE 351099 | WWII German Pz. Beob. Wg. V Ausf. D Basic |

