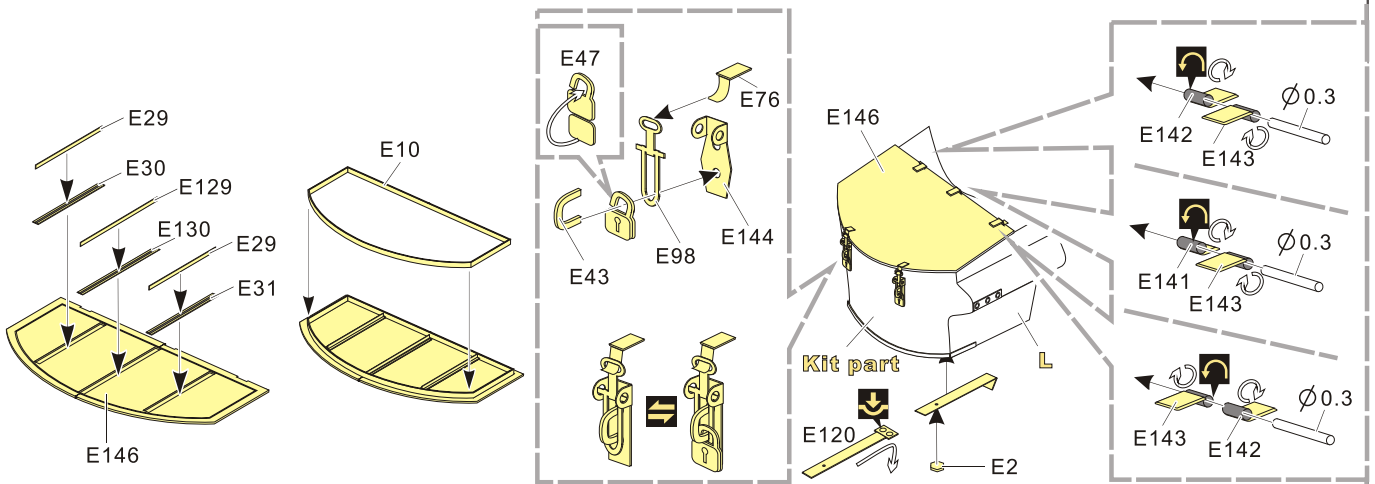
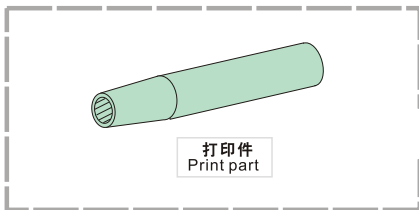
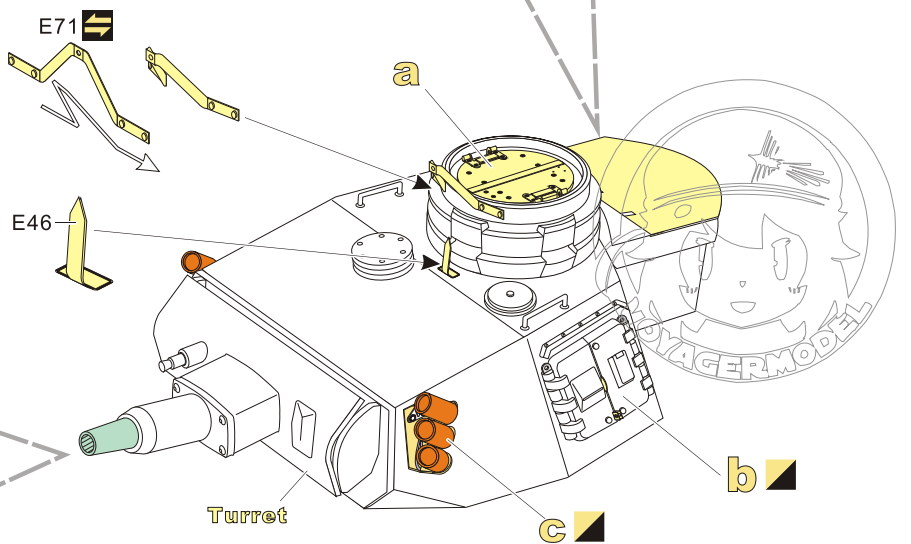


1/35 MILITARY MINIATURE VEHICLE UPGRADE SERIES PE351119



推荐 VBS0309 VBS0310
VOYAGERMODEL VBS0309 VBS0310
Recommended

Ammo not included in this set

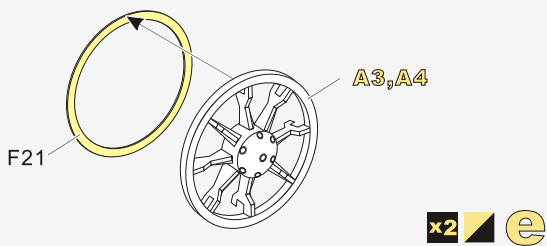


[Http://www.voyagermodel.com/productdetails.asp?itemid=PE351119](http://www.voyagermodel.com/productdetails.asp?itemid=PE351119)

**VOYAGER
MODEL**



更多PE351119样品照片参考请扫一扫
MORE PICTUER OF PE 351119
REFERENCE SCAN HERE



漏喷板使用说明:
Instruction:

未上色零件
Unpainted part

喷橡胶黑
spray tyre black

使用遮喷板为轮毂
喷上所需要的颜色
use template to paint
required hub colour

f

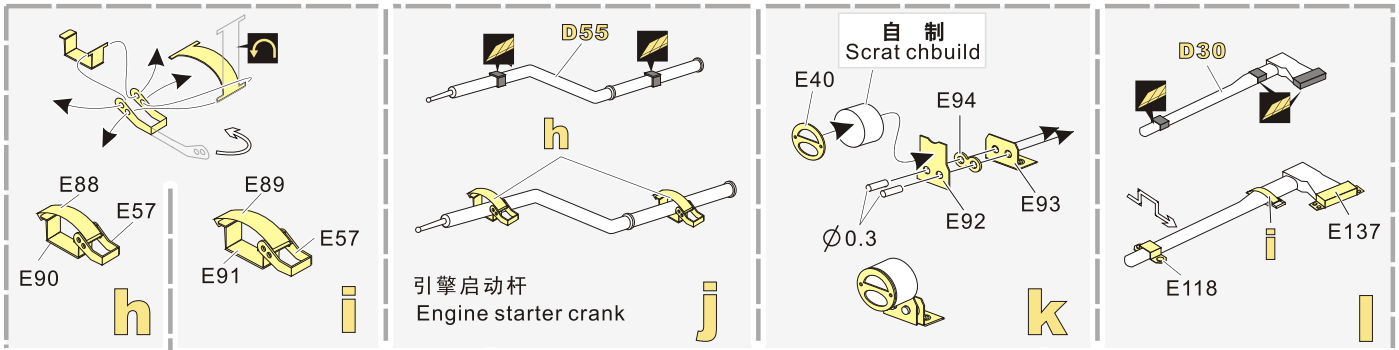
根据喜好使用乘员装备品
Use the elements for crews you like

E18 E97 E96 E72 E124 E18

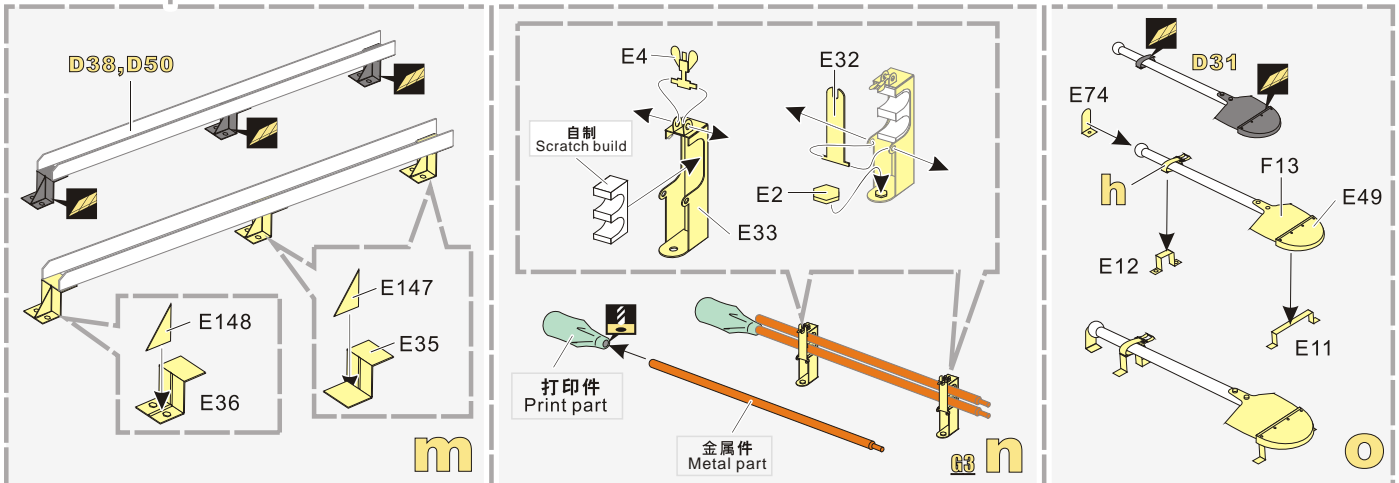
取自其他套件
Obtained from other kits

g

1/35 MILITARY MINIATURE VEHICLE UPGRADE SERIES PE351119

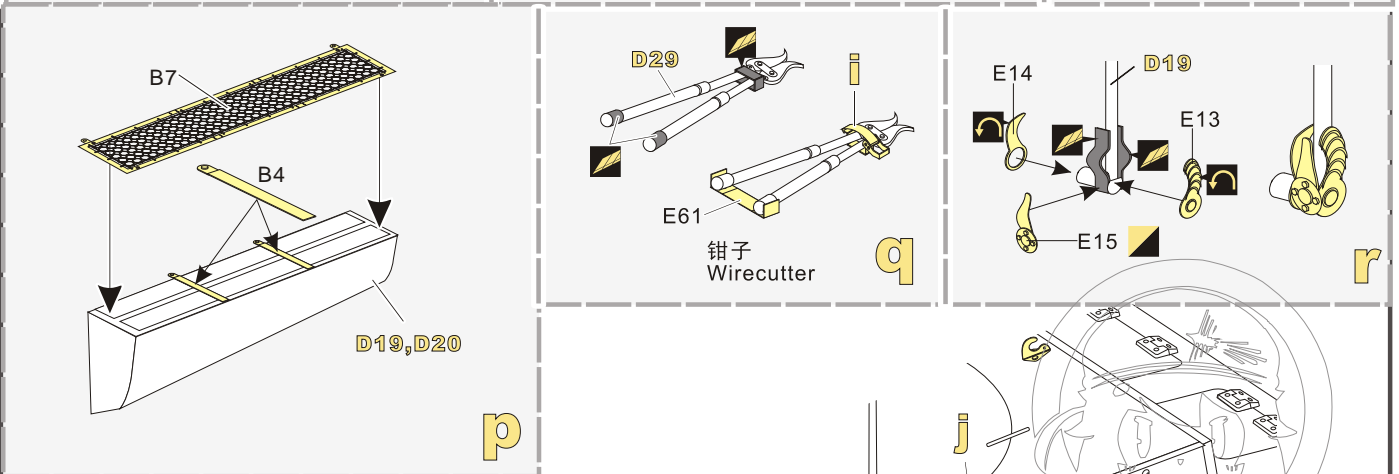


引擎启动杆
Engine starter crank

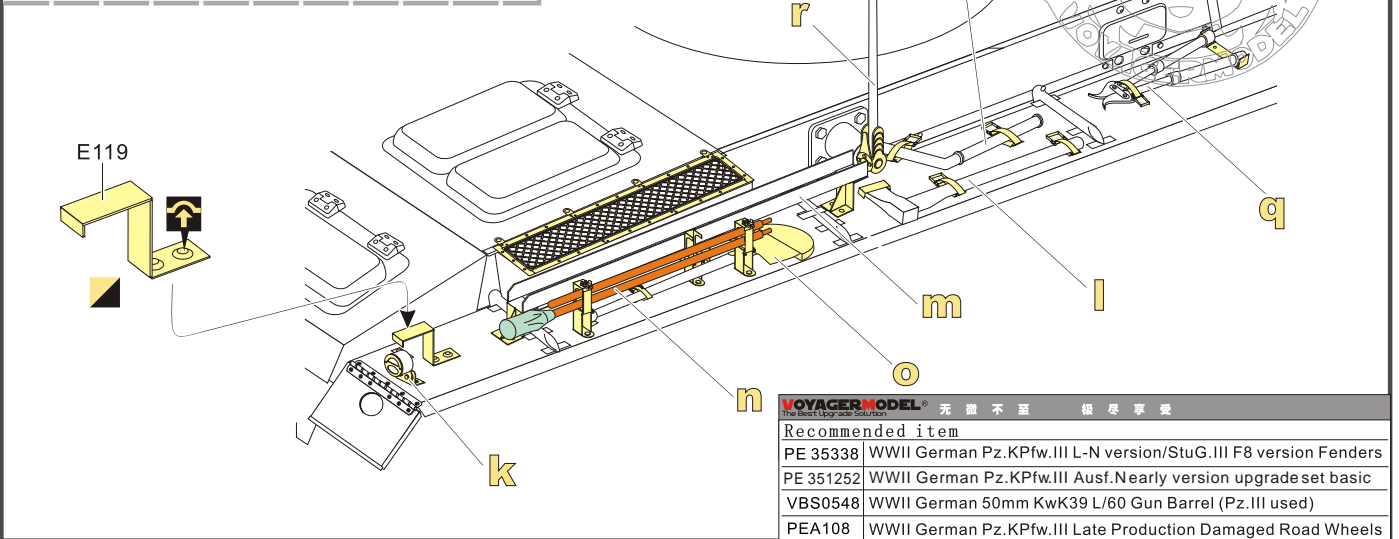


打印件
Print part

金属件
Metal part



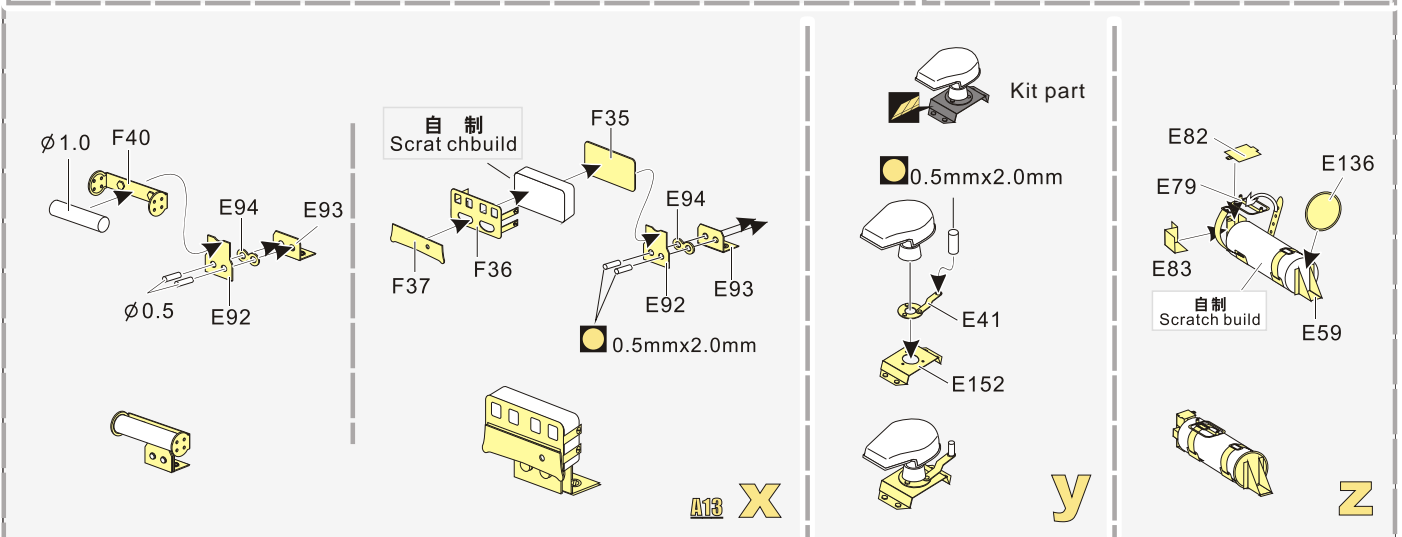
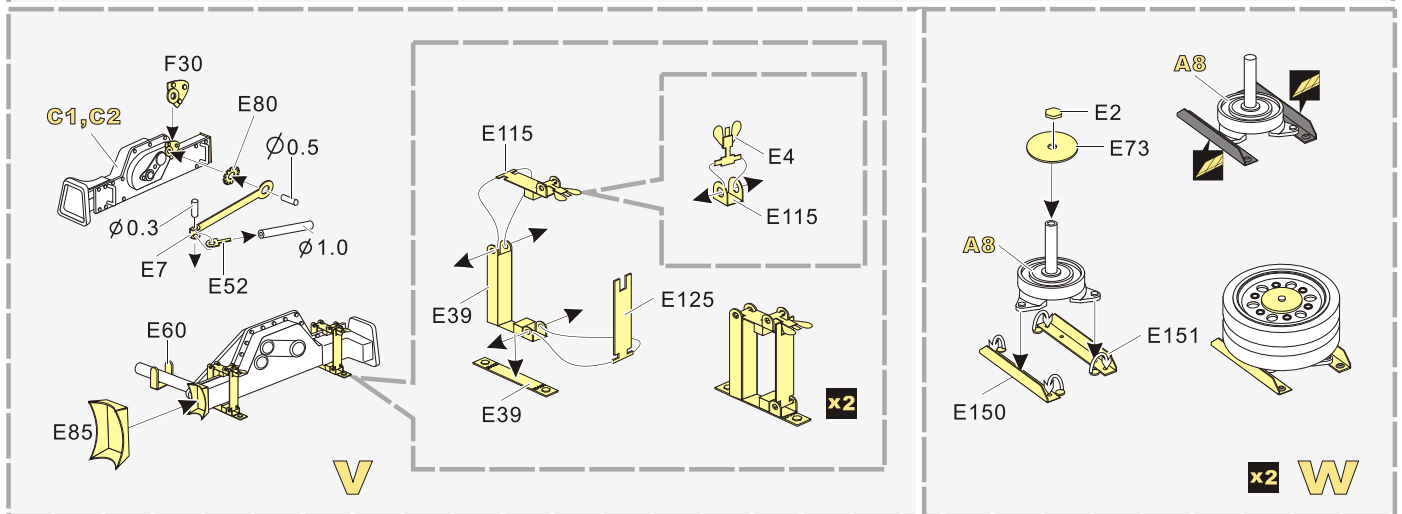
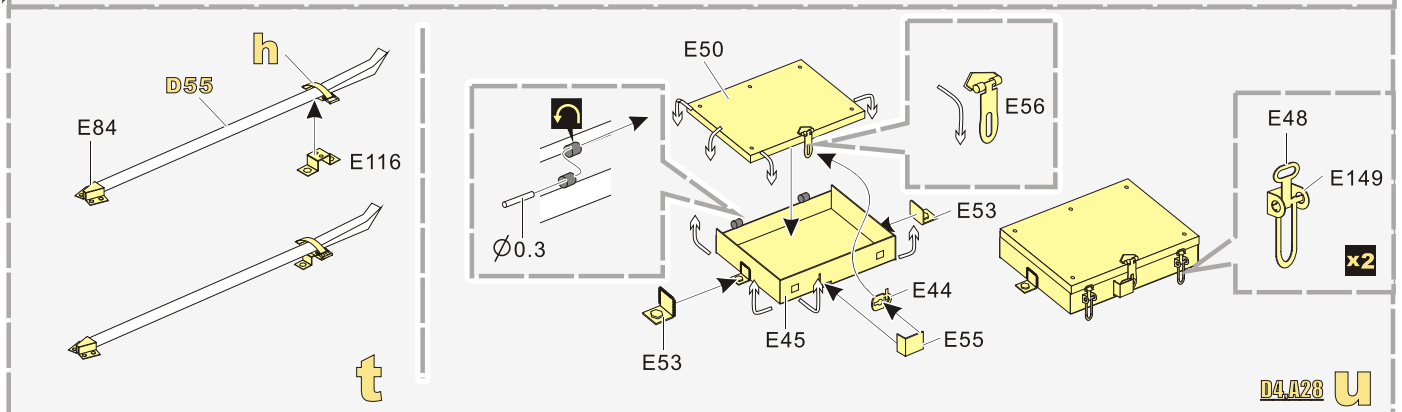
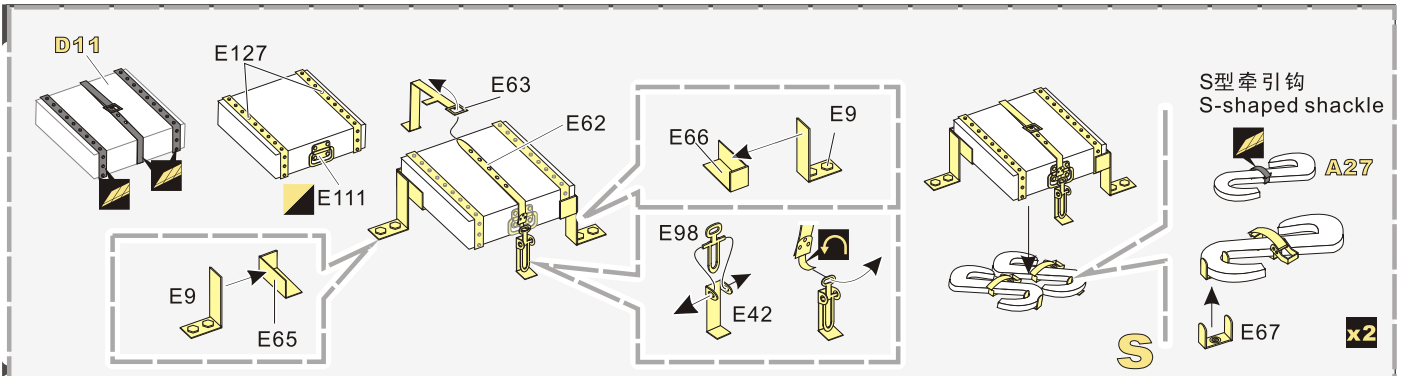
钳子
Wirecutter



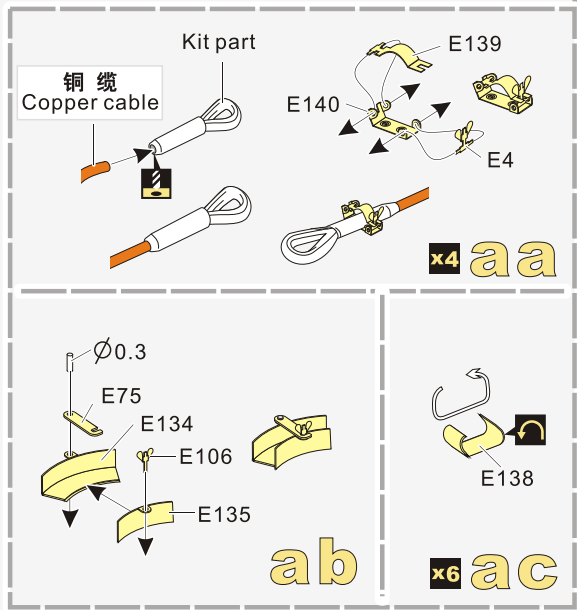
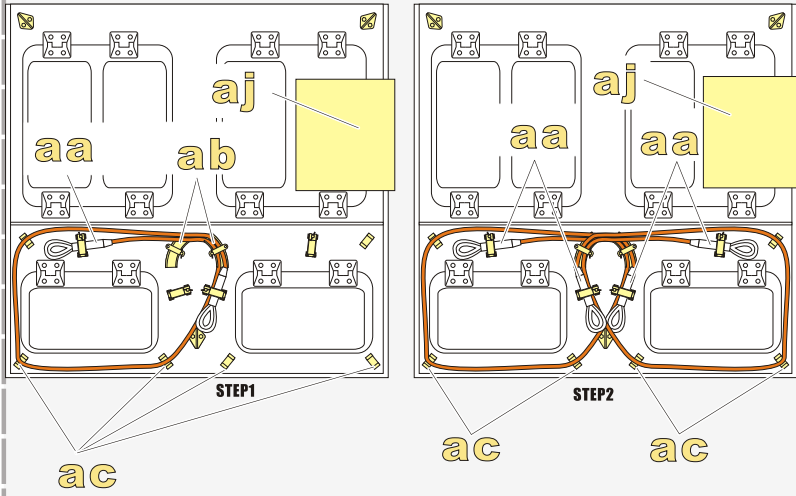
VOYAGERMODEL 无微不至 极致享受
The Best Upgrade Solution

Recommended item	
PE 35338	WWII German Pz.KPfw.III L-N version/StuG.III F8 version Fenders
PE 351252	WWII German Pz.KPfw.III Ausf.Nearly version upgrade set basic
VBS0548	WWII German 50mm KwK39 L/60 Gun Barrel (Pz.III used)
PEA108	WWII German Pz.KPfw.III Late Production Damaged Road Wheels

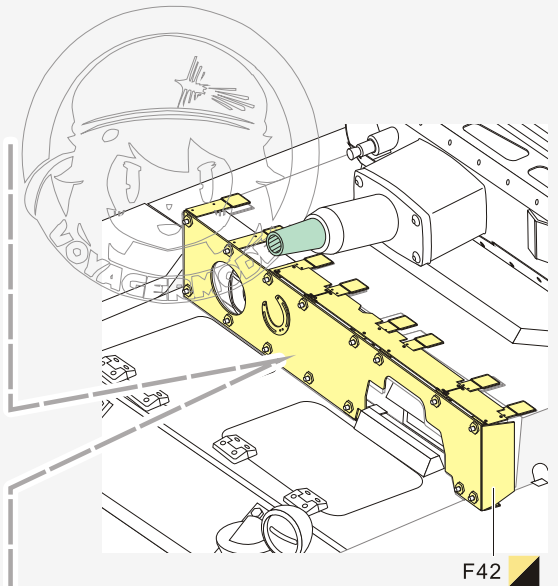
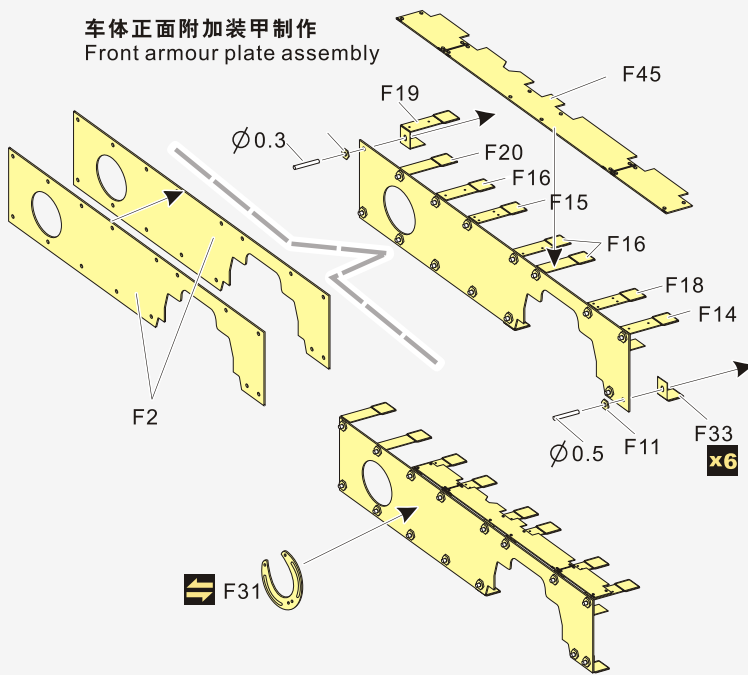
1/35 MILITARY MINIATURE VEHICLE UPGRADE SERIES PE351119



1/35 MILITARY MINIATURE VEHICLE UPGRADE SERIES PE351119

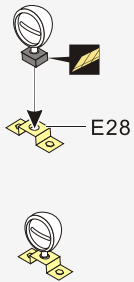


车体正面附加装甲制作
Front armour plate assembly



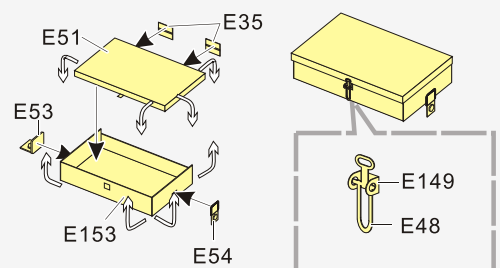
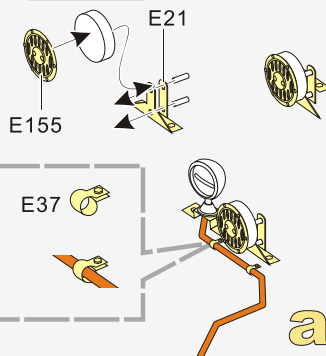
ad

Kit part



ae

自制
Scratch build



A35.A57 ag

1/35 MILITARY MINIATURE VEHICLE UPGRADE SERIES PE351119

