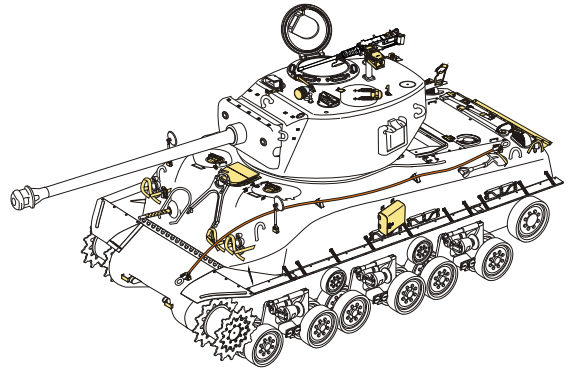


1/35 MILITARY MINIATURE VEHICLE UPGRADE SERIES PE351161

# WWII US M4A1(76w)HVSS Basic

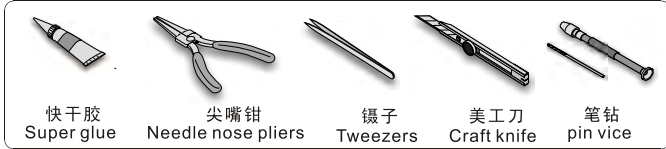
## 二战美国M4A1(76w) HVSS中型坦克基本改造件

[For TAKOM 2206]



Technical assistance provided by Mr.ZHONG MINGZHOU

### 推荐使用工具 RECOMMENDED TOOLS



快干胶  
Super glue

尖嘴钳  
Needle nose pliers

镊子  
Tweezers

美工刀  
Craft knife

笔钻  
pin vice

↑  
安装  
install

↪  
折叠  
bend

**A1**  
改造件零件编号  
PE/resin part number

**B12**  
原零件编号  
kit part number

**G22**  
被替换的原零件编号  
replaced kit part number

◀▶  
另一侧相同制作  
repeat on opposite side

✂  
切除  
remove

🔪  
打磨  
grind off

📐  
弧度卷曲  
radial bending

✖  
制作若干组  
multiple assembly

↔  
选择安装  
alternative

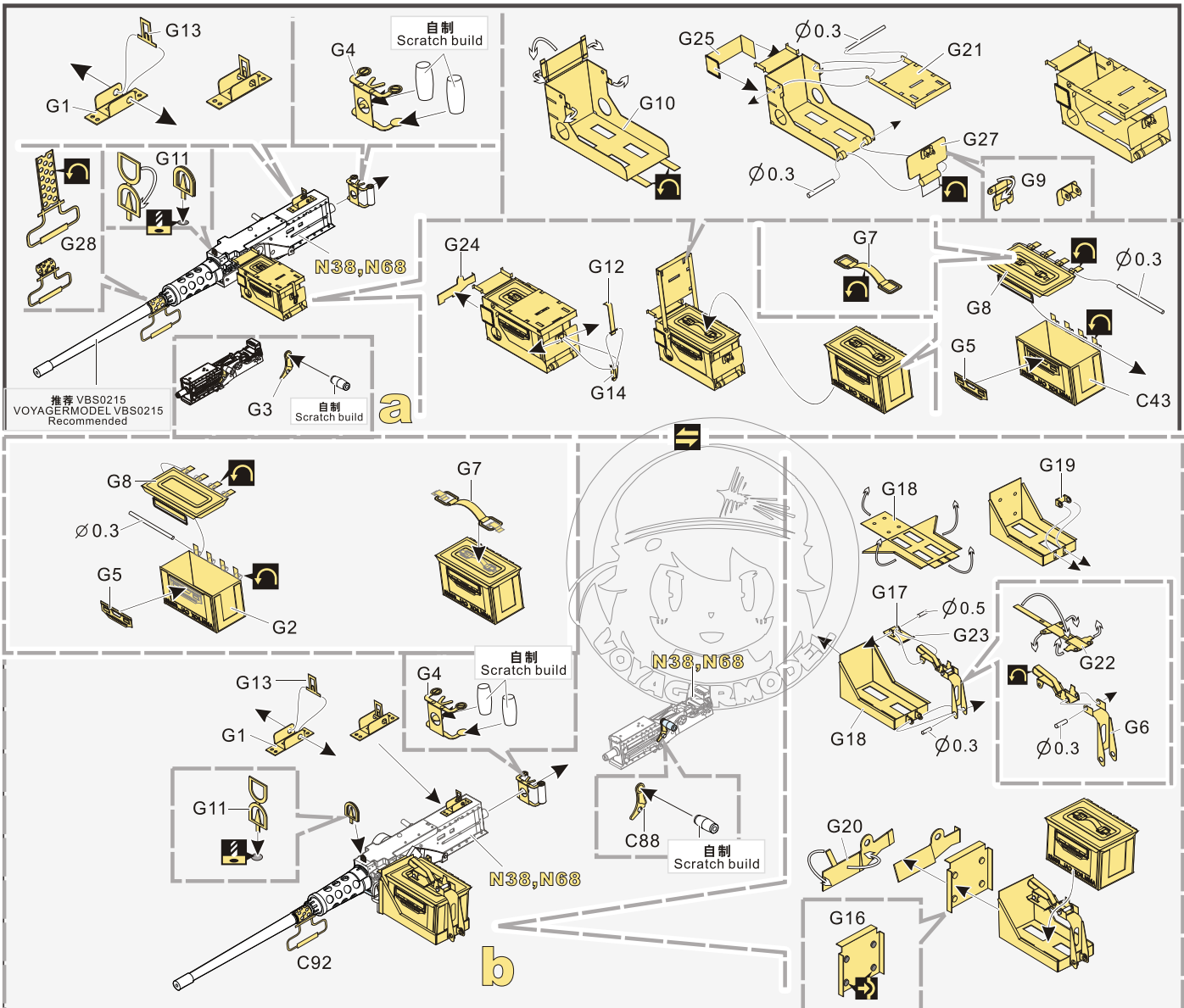
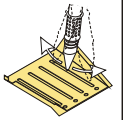
🔧  
钻孔  
drill

⚠  
注意  
caution

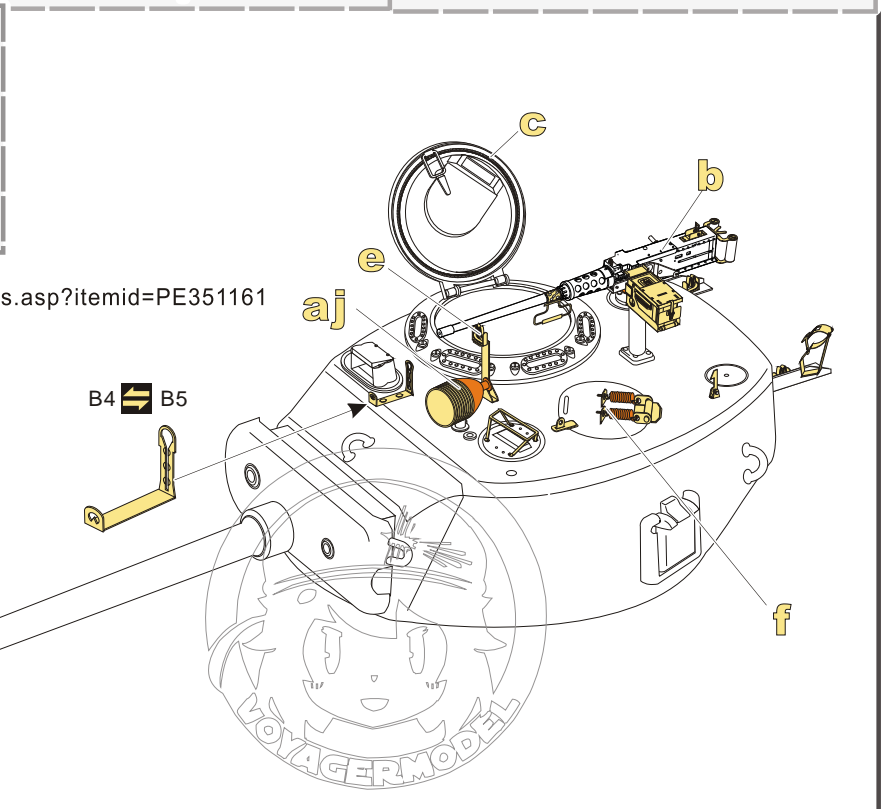
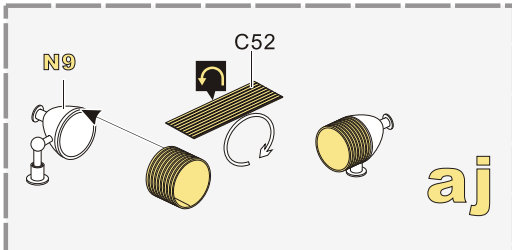
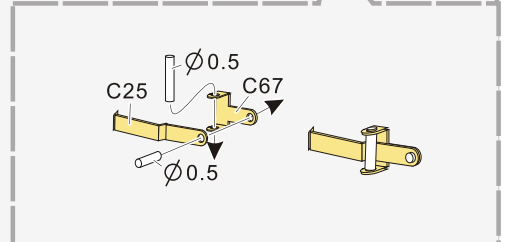
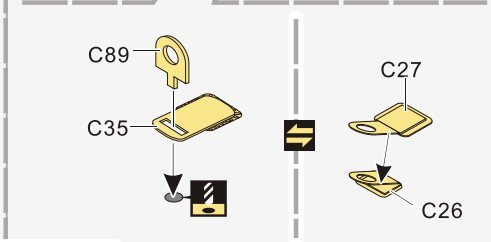
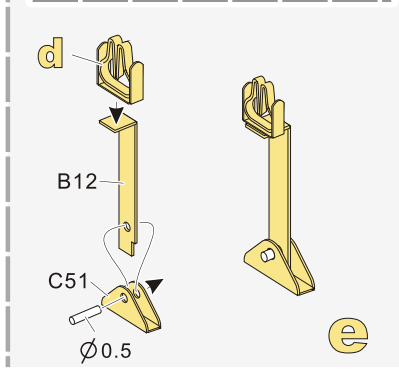
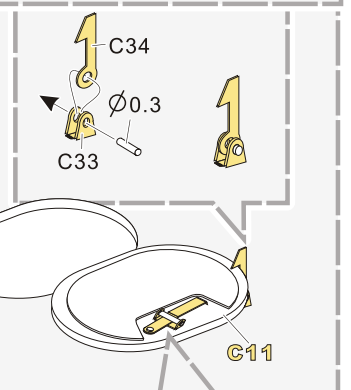
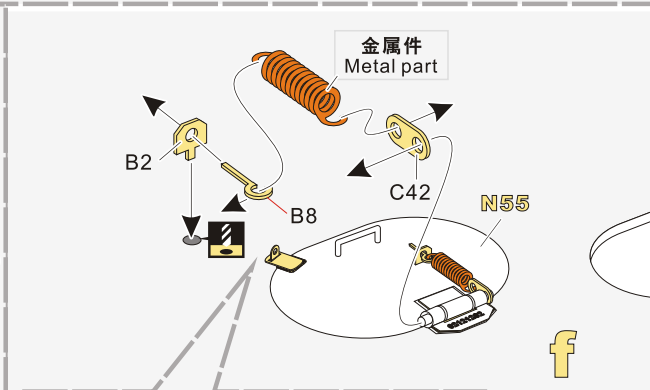
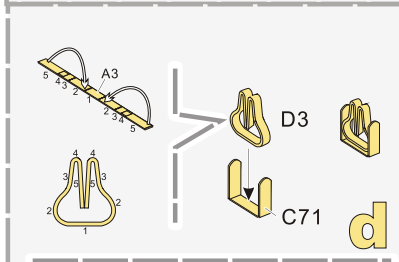
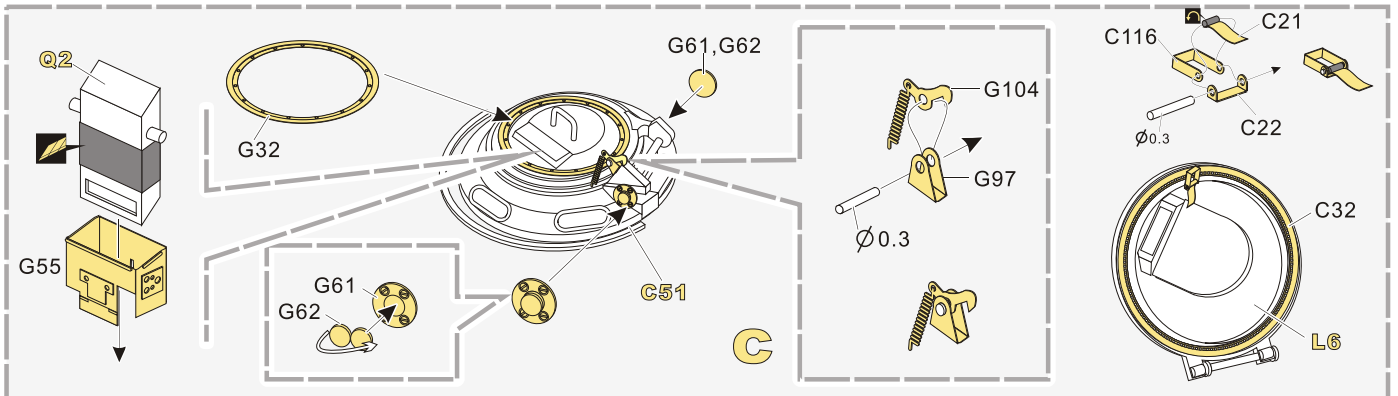
⬇  
用尖端在凹槽处冲压  
use penpoint to press on the dent

📄  
蚀刻片零件内侧面向上  
Put the part upside down

📄  
用笔尖在凹槽处划  
Use penpoint to press on the dent



1/35 MILITARY MINIATURE VEHICLE UPGRADE SERIES PE351161

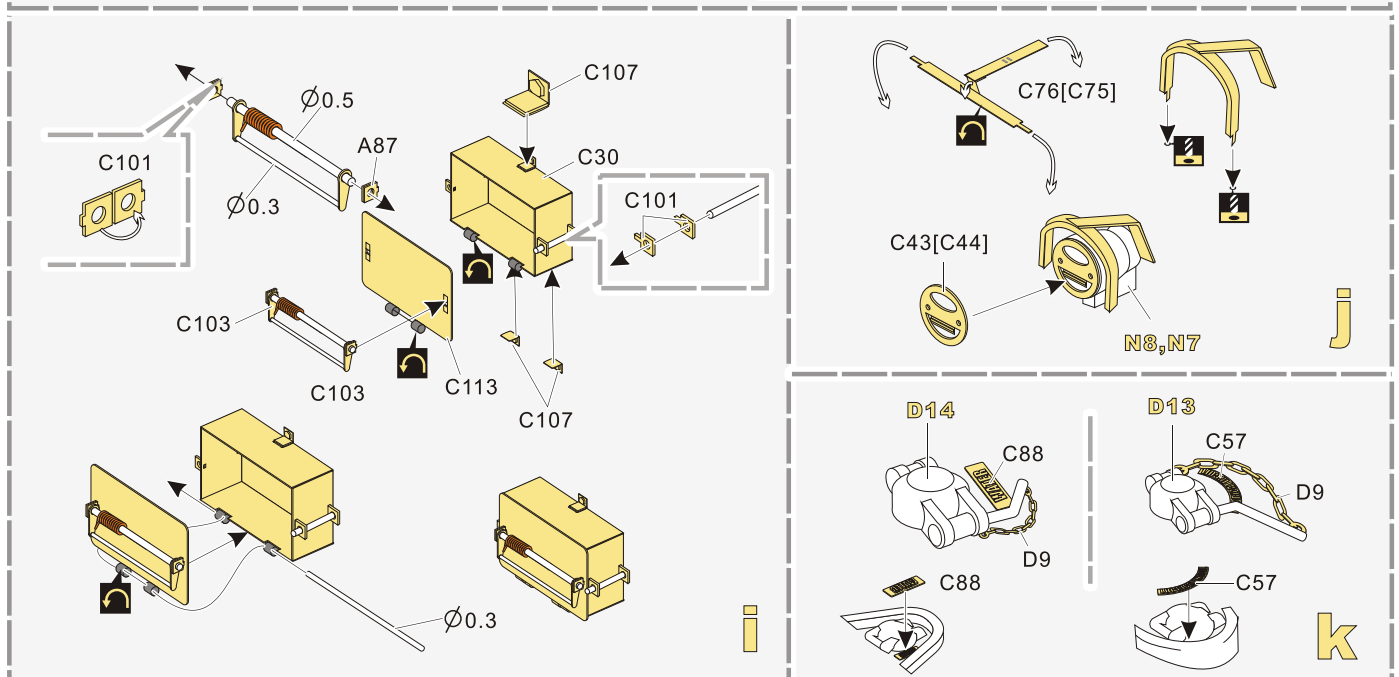
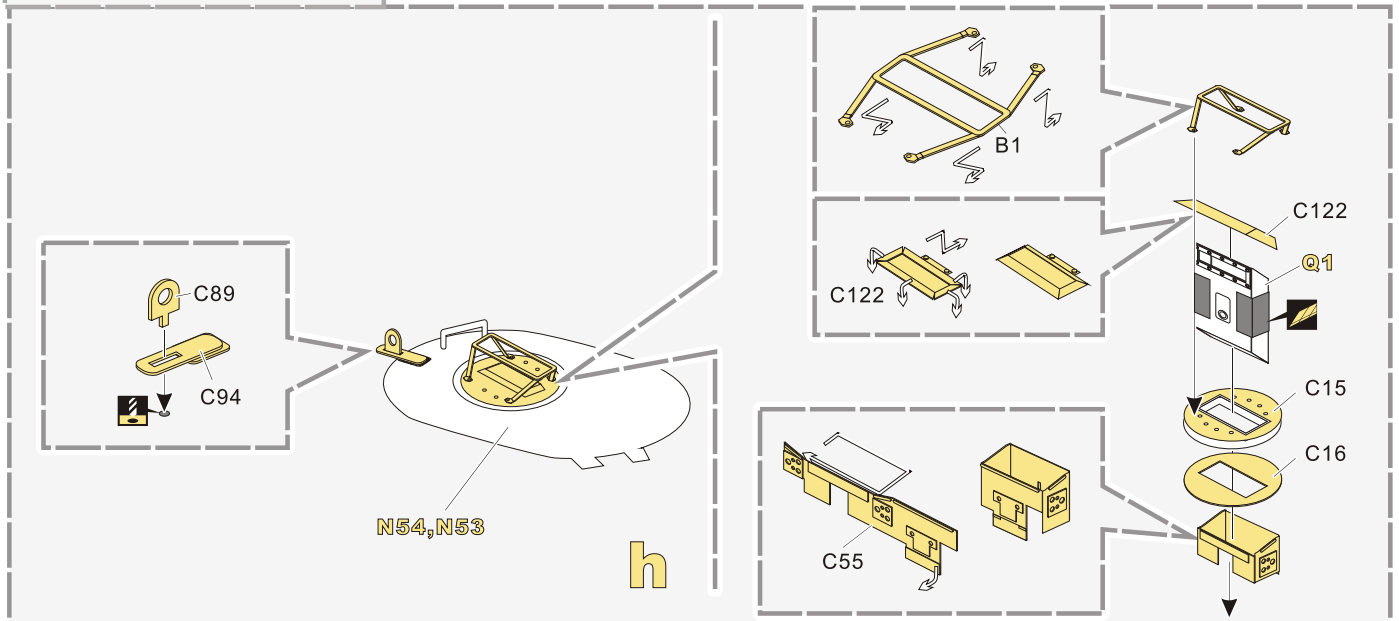
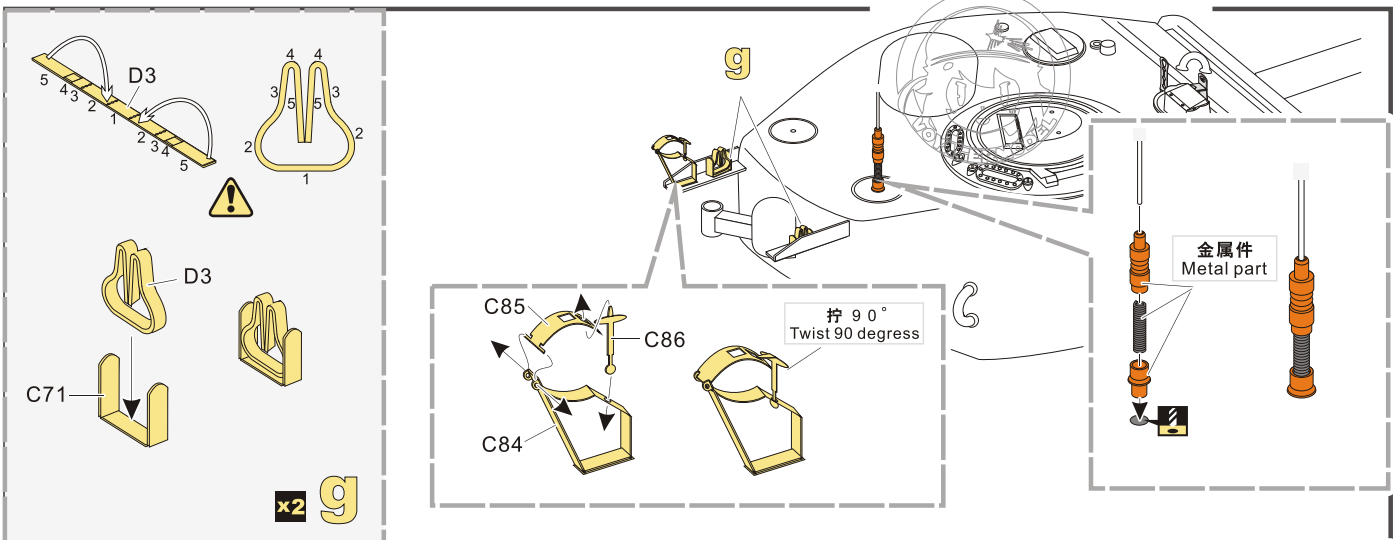


[Http://www.voyagermodel.com/productdetails.asp?itemid=PE351161](http://www.voyagermodel.com/productdetails.asp?itemid=PE351161)

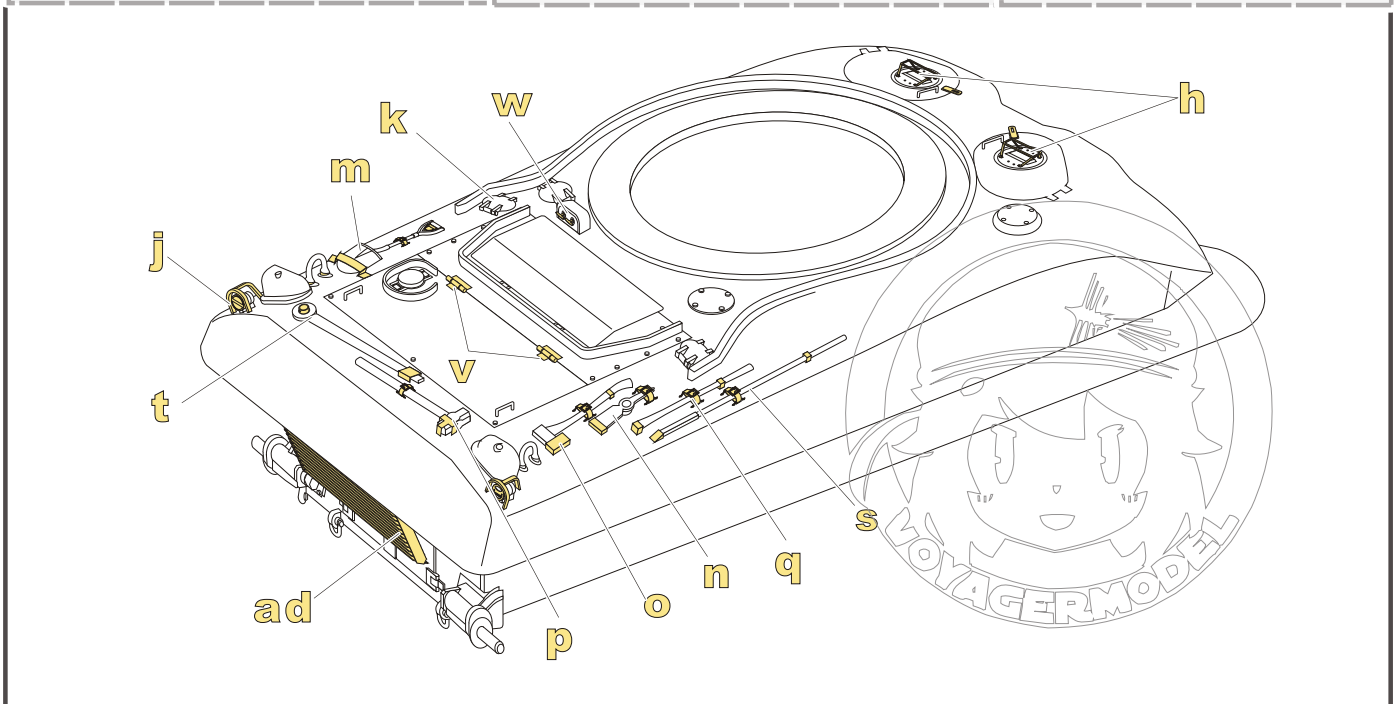
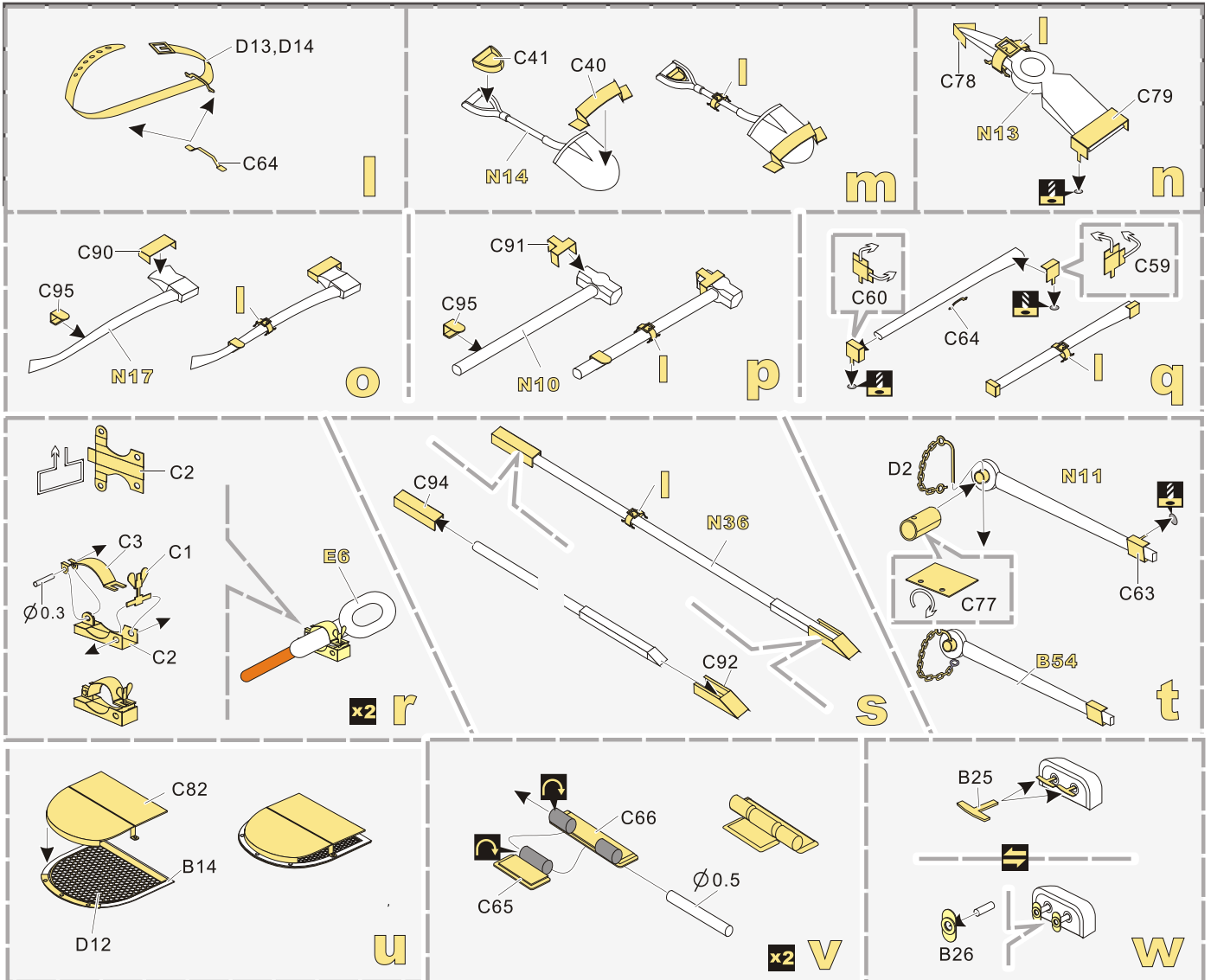


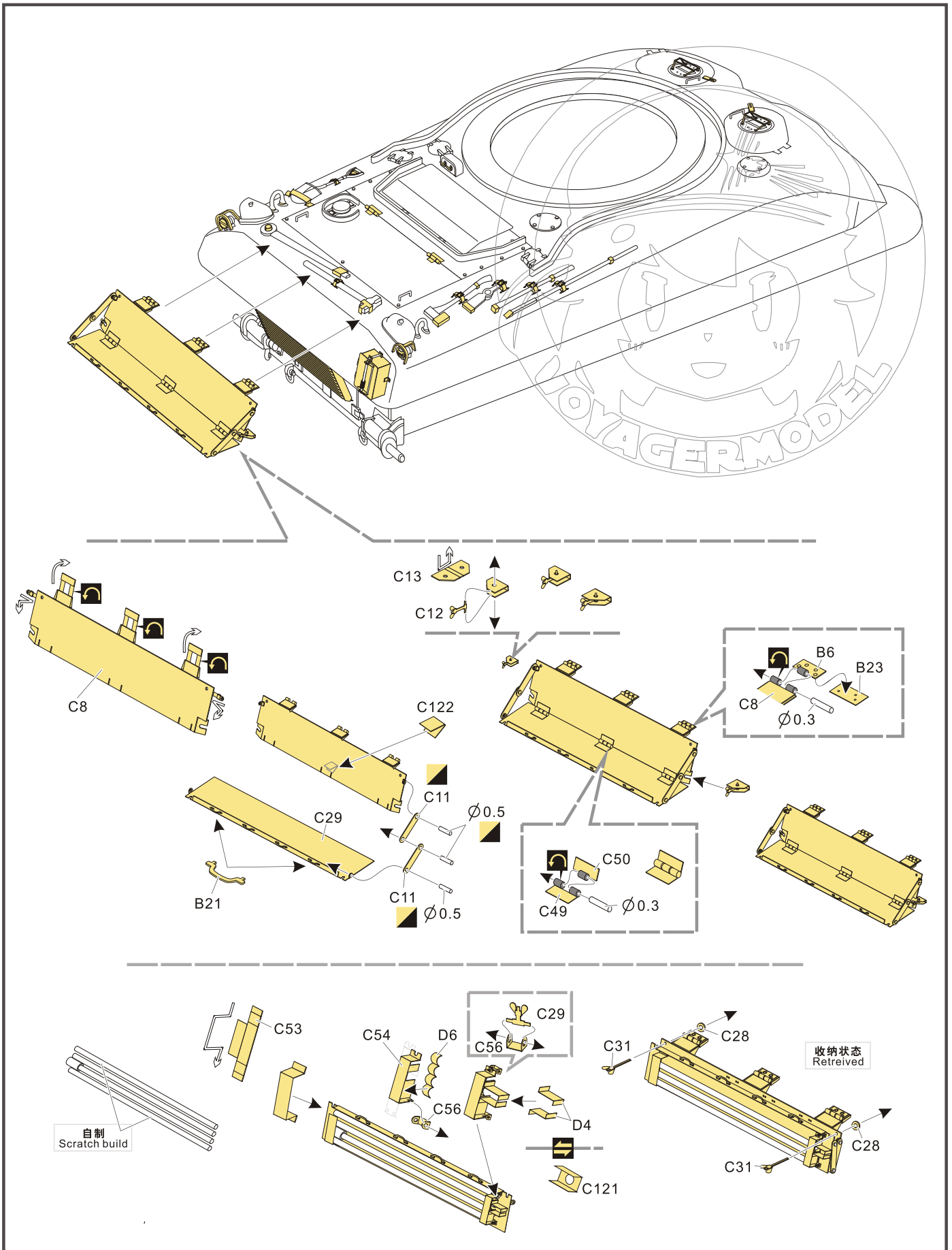
更多PE351161样品照片参考请扫一扫  
MORE PICTUER OF PE 351161  
REFERENCE SCAN HERE

1/35 MILITARY MINIATURE VEHICLE UPGRADE SERIES PE351161



1/35 MILITARY MINIATURE VEHICLE UPGRADE SERIES PE351161





1/35 MILITARY MINIATURE VEHICLE UPGRADE SERIES PE351161

**P13,P14,P15,P16**

**z**

**aa**

**ab**

**ac**

**ad**

**ae**

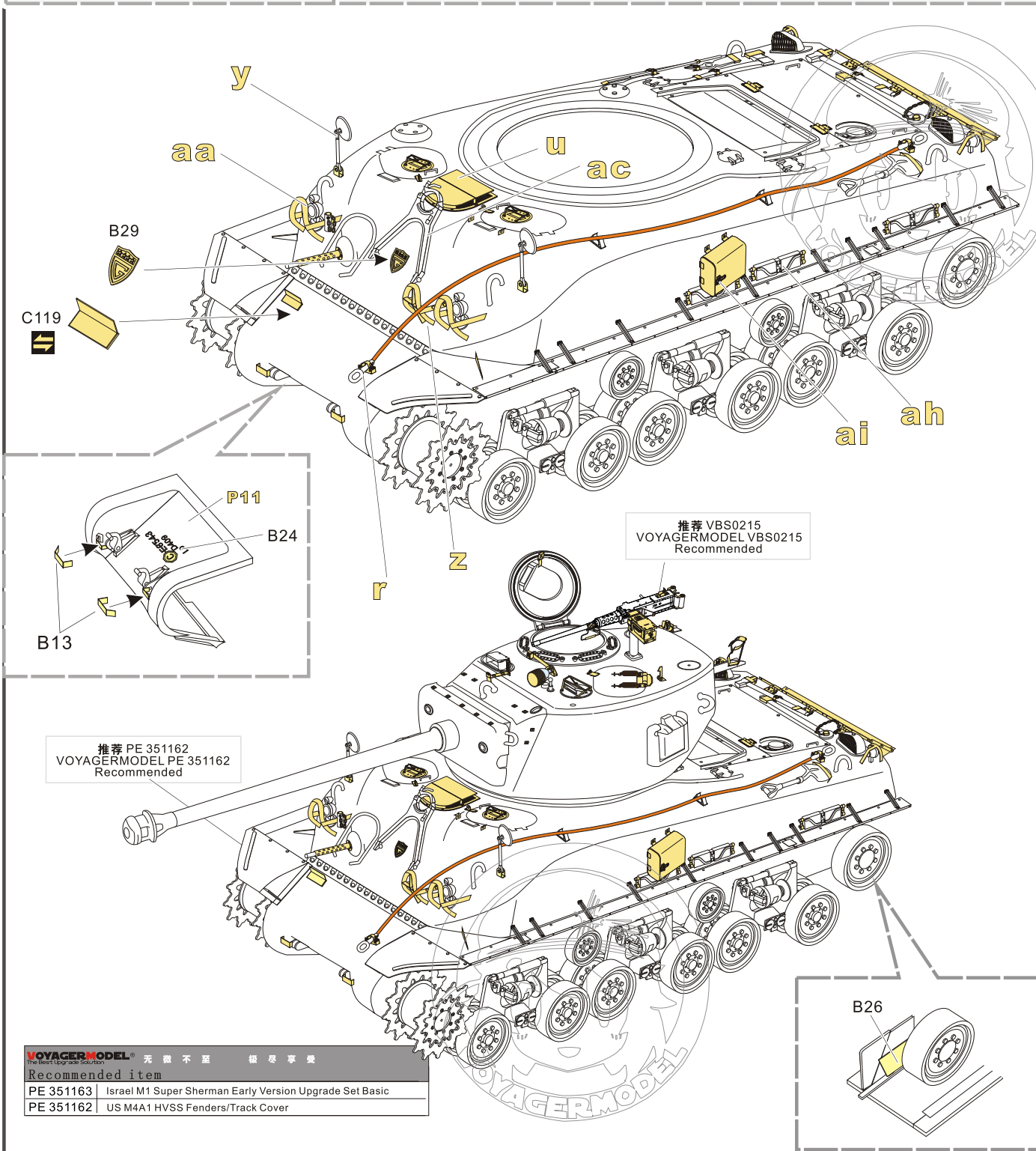
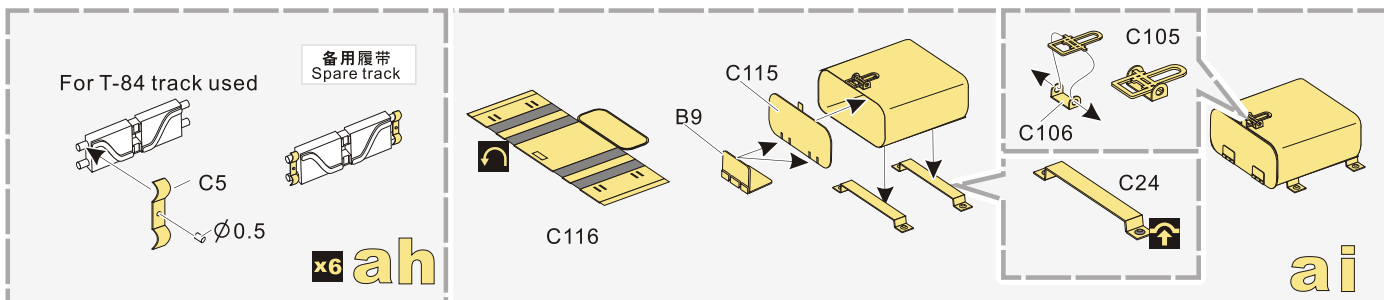
**af**

自制  
Scratch build  
Ø 1.0

Ø 0.3

x8 X

1/35 MILITARY MINIATURE VEHICLE UPGRADE SERIES PE351161



VOYAGERMODEL® 无微不至 极尽享受

Recommended item

- |           |   |
|-----------|---|
| PE 351163 | Israel M1 Super Sherman Early Version Upgrade Set Basic |
| PE 351162 | US M4A1 HVSS Fenders/Track Cover                        |