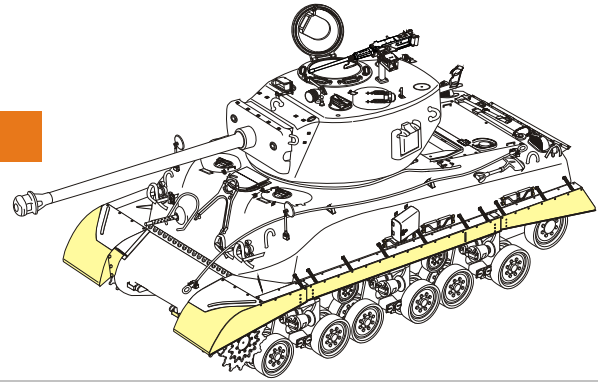


1/35 MILITARY MINIATURE VEHICLE UPGRADE SERIES PE351162

## US M4A1 HVSS Fenders/Track Cover

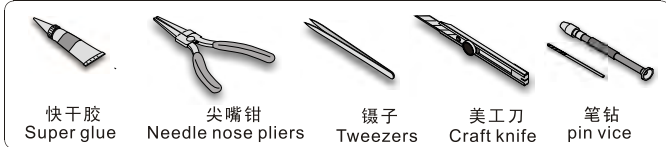
二战美国M4A1 (76w) HVSS中型坦克翼子板/侧裙

[For TAKOM 2205/2206]



Technical assistance provided by Mr.ZHONG MINGZHOU

### 推荐使用工具 RECOMMENDED TOOLS



快干胶  
Super glue

尖嘴钳  
Needle nose pliers

镊子  
Tweezers

美工刀  
Craft knife

笔钻  
pin vice

↑  
安装  
install

↩  
折叠  
bend

**A1**  
改造件零件编号  
PE/resin part number

**B12**  
原零件编号  
kit part number

**C22**  
被替换的原零件编号  
replaced kit part number

▲  
另一侧相同制作  
repeat on opposite side

✂  
切除  
remove

🔪  
打磨  
grind off

📏  
弧度卷曲  
radial bending

✖  
制作若干组  
multiple assembly

↔  
选择安装  
alternative

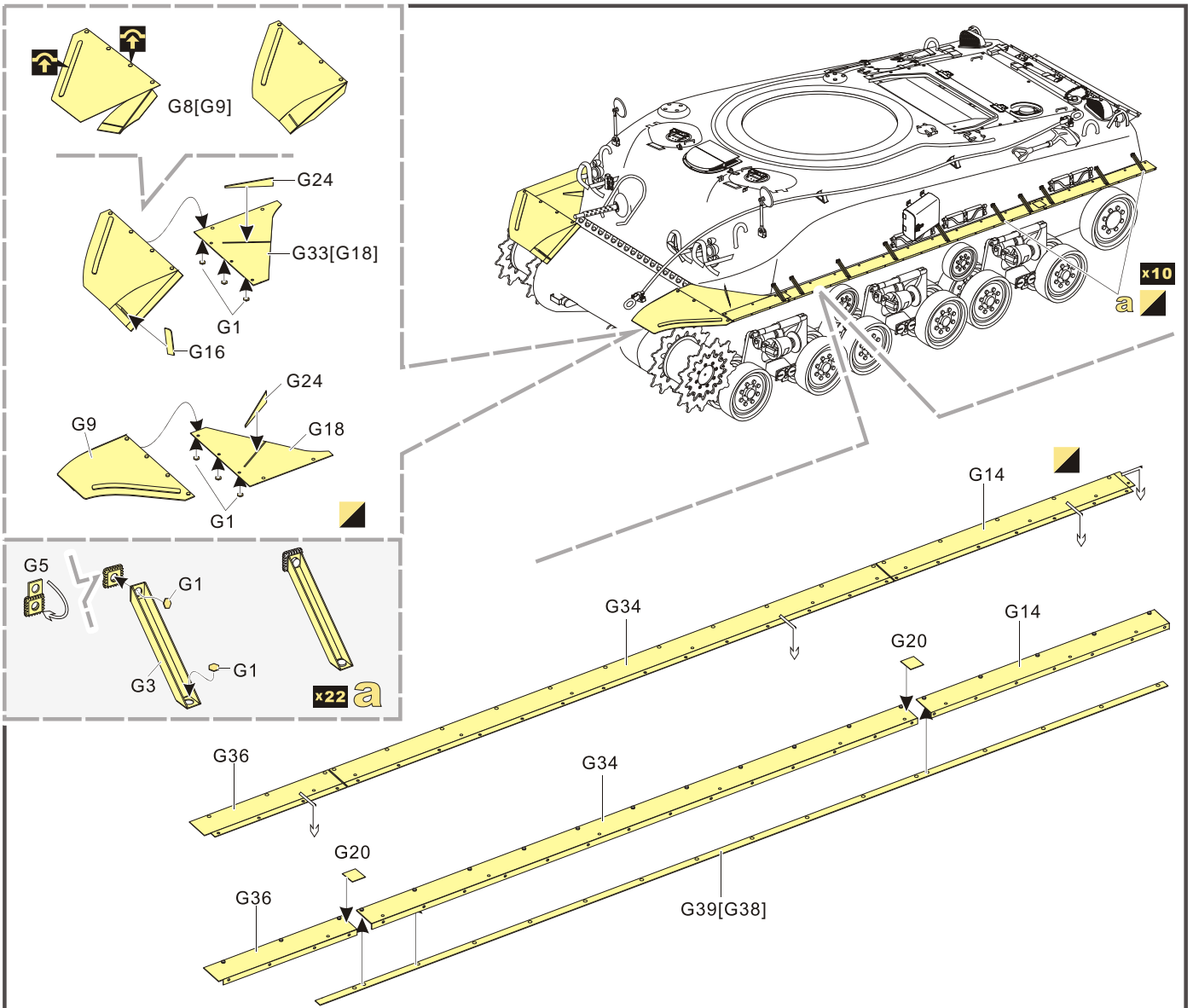
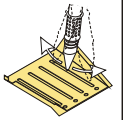
🔧  
钻孔  
drill

⚠  
注意  
caution

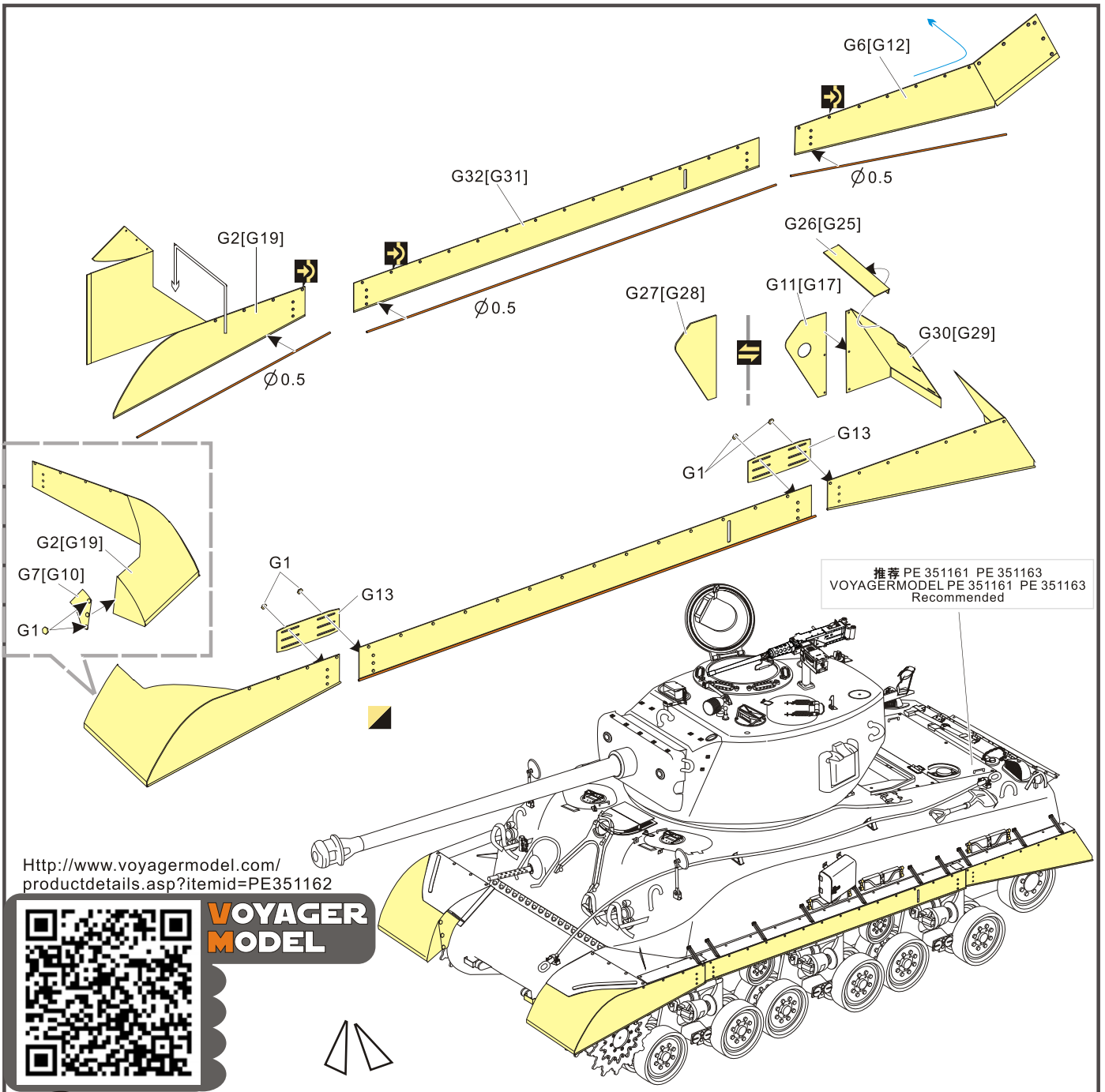
↓  
用尖端在凹槽处冲压  
use penpoint to press on the dent

📄  
蚀刻片零件内侧面向上  
Put the part upside down

📄  
用笔尖在凹槽处刺  
Use penpoint to press on the dent



1/35 MILITARY MINIATURE VEHICLE UPGRADE SERIES PE351162



[Http://www.voyagermodel.com/productdetails.asp?itemid=PE351162](http://www.voyagermodel.com/productdetails.asp?itemid=PE351162)



**VOYAGER  
MODEL**



更多PE351162样品照片参考请扫一扫  
MORE PICTUER OF PE 351162  
REFERENCE SCAN HERE

