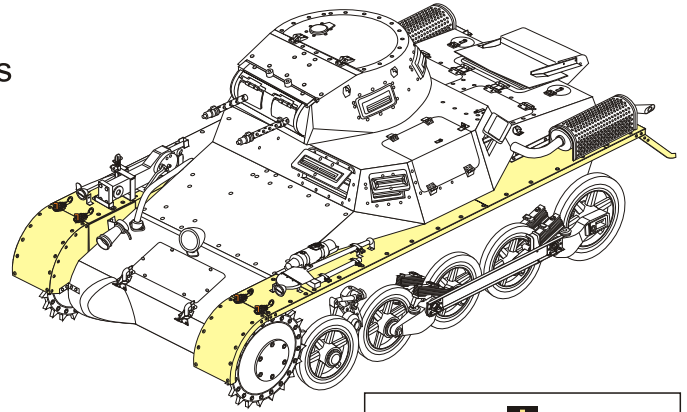


1/35 MILITARY MINIATURE VEHICLE UPGRADE SERIES PE351188

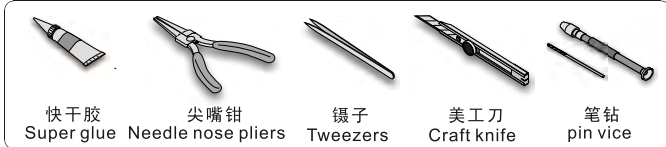
WWII German Pz.Kpfw.I Ausf.A Fenders

二战德军I号坦克A型翼子板改造件





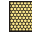





[For TAKOM 2145]




推荐使用工具 RECOMMENDED TOOLS

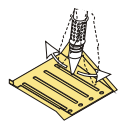
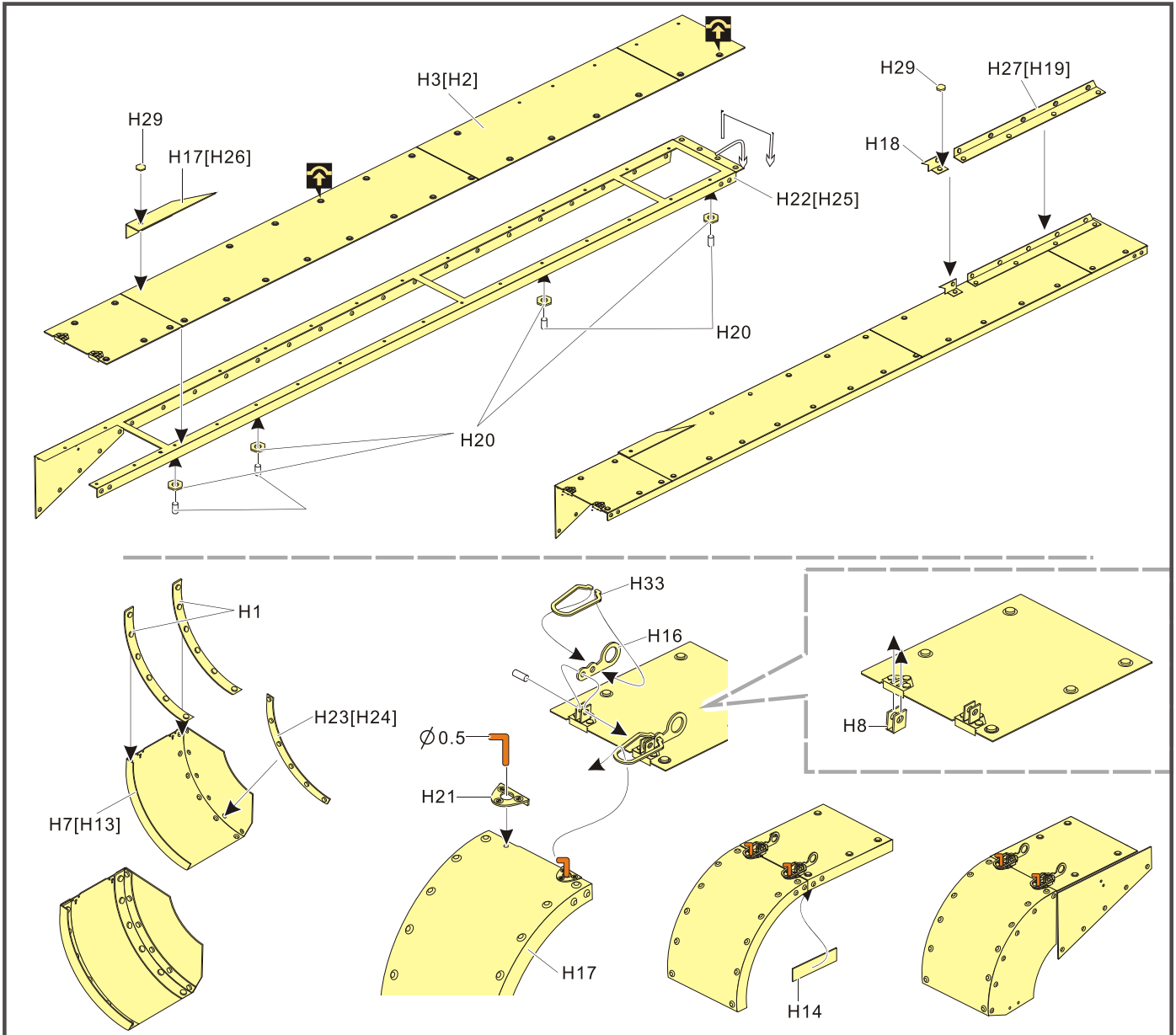


快干胶 Super glue 尖嘴钳 Needle nose pliers 镊子 Tweezers 美工刀 Craft knife 笔钻 pin vice

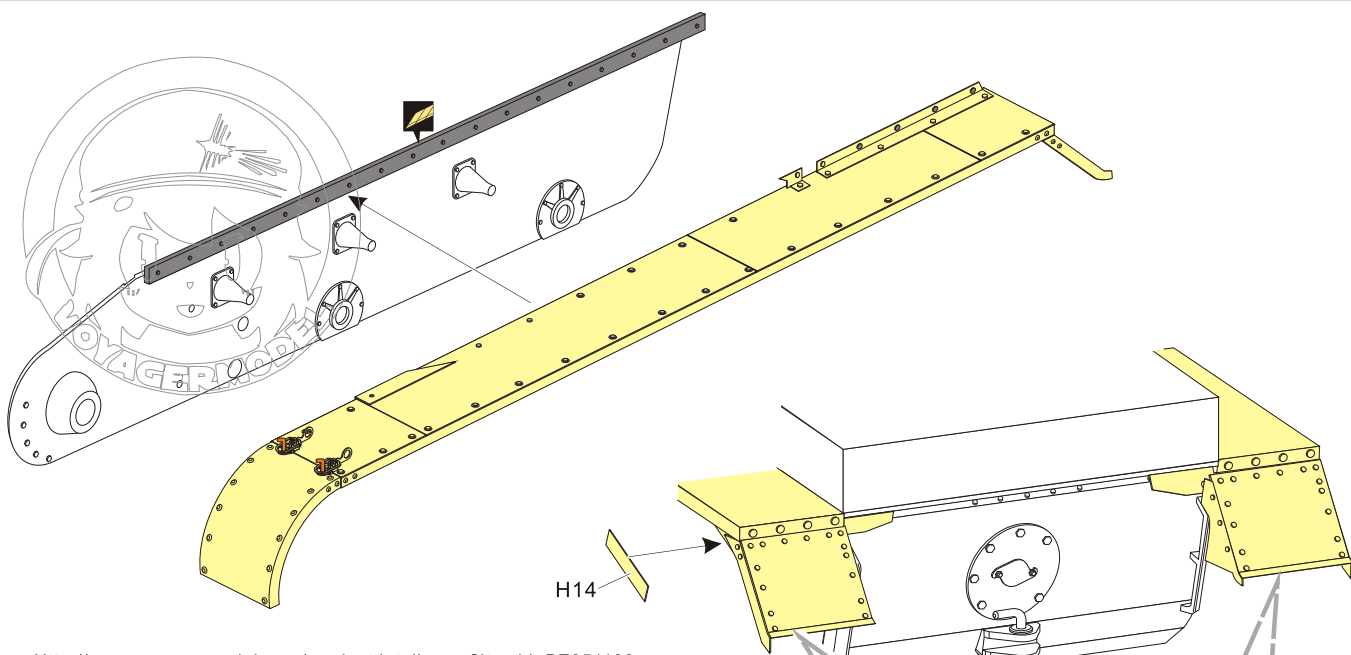
- 
安装
install
- 
折叠
bend
- A1**
改造件零件编号
PE/resin part number
- B12**
原零件编号
kit part number
- C22**
被替换的原零件编号
replaced kit part number
- 
 另一侧相同制作
repeat on opposite side
- 
切除
remove
- 
打磨
grind off
- 
弧度卷曲
radial bending
- 
制作若干组
multiple assembly
- 
选择安装
alternative
- 
钻孔
drill
- 
用胶棒制作
make from plastic rod


 用尖端在凹槽处冲压
use penpoint to press on the dent

蚀刻片零件内侧面向上
Put the part upside down
用笔尖在凹槽处刮
Use penpoint to press on the dent

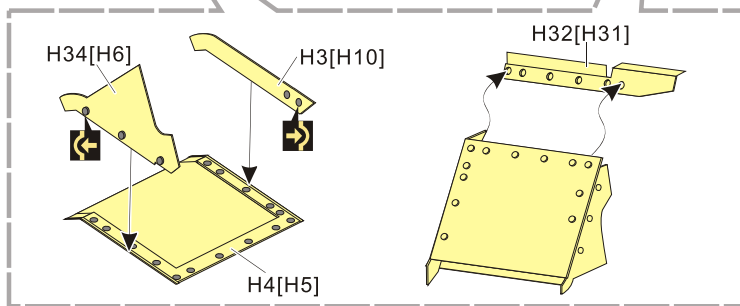
1/35 MILITARY MINIATURE VEHICLE UPGRADE SERIES PE351188



[Http://www.voyagermodel.com/productdetails.asp?itemid=PE351188](http://www.voyagermodel.com/productdetails.asp?itemid=PE351188)



**VOYAGER
MODEL**



更多PE351188样品照片参考请扫一扫
MORE PICTUER OF PE 351188
REFERENCE SCAN HERE

推荐 PE 351187
VOYAGERMODEL PE 351187
Recommended

