

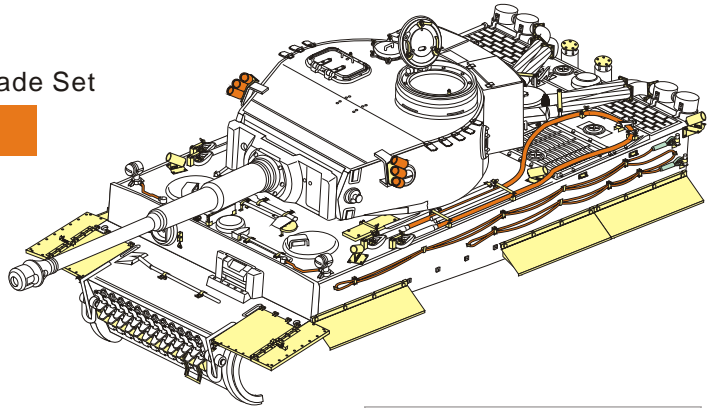
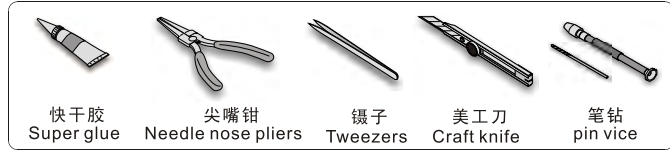
1/35 MILITARY MINIATURE VEHICLE UPGRADE SERIES PE351298

WWII German Tiger I Early Production Basic Upgrade Set

二战德军虎I型坦克早期型改造件

[For TAKOM]

■ 推荐使用工具 RECOMMENDED TOOLS



- ↑ 安装 install
- ↶ 折叠 bend
- A1 改造件零件编号 PE/resin part number
- B12 原零件编号 kit part number
- C22 被替换的原零件编号 replaced kit part number
- ✂ 切除 remove
- ↷ 弧度卷曲 radial bending
- ⚪ 钻孔 drill
- ⚠ 注意 caution
- ↶ 扩孔 ream
- x2 制作若干组 multiple assembly
- ◻ 填补 fill
- ↔ 选择安装 alternative
- ◻ 另一侧相同制作 repeat on opposite side

↓ 用尖端在凹槽处冲压 use penpoint to press on the dent

蚀刻片零件内面向上 Put the part upside down

用笔尖在凹槽处刺 Use penpoint to press on the dent

装填手舱盖 Loader's hatch

D2-2, R2-18

D7

D1

A11

D38

A9

A14

A32

自制 Scratch build

A7[A8]

E6

E1[E7]

E2-25

D82

A16

抽烟装置 Ventilator redesigned

C

金属件 Metal part

D76

D77

R2-14

A7[A8]

烟幕弹发射器 Smoke candle discharger

b

推荐 VBS0105 VOYAGERMODEL VBS0105 Recommended

A18[A19]

A17

∅0.5

A19

A18

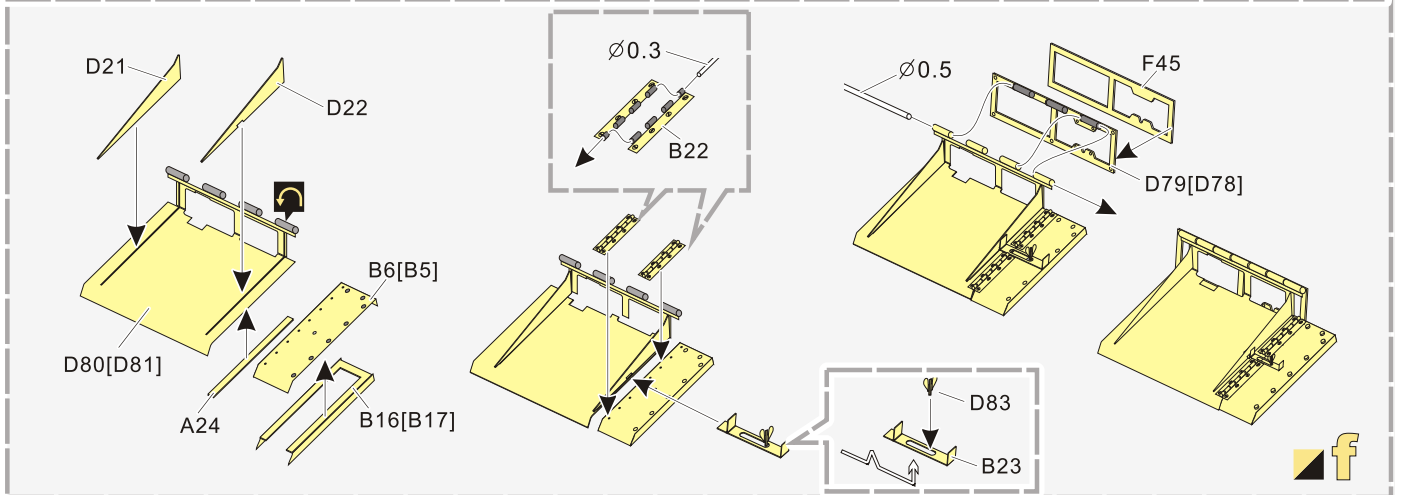
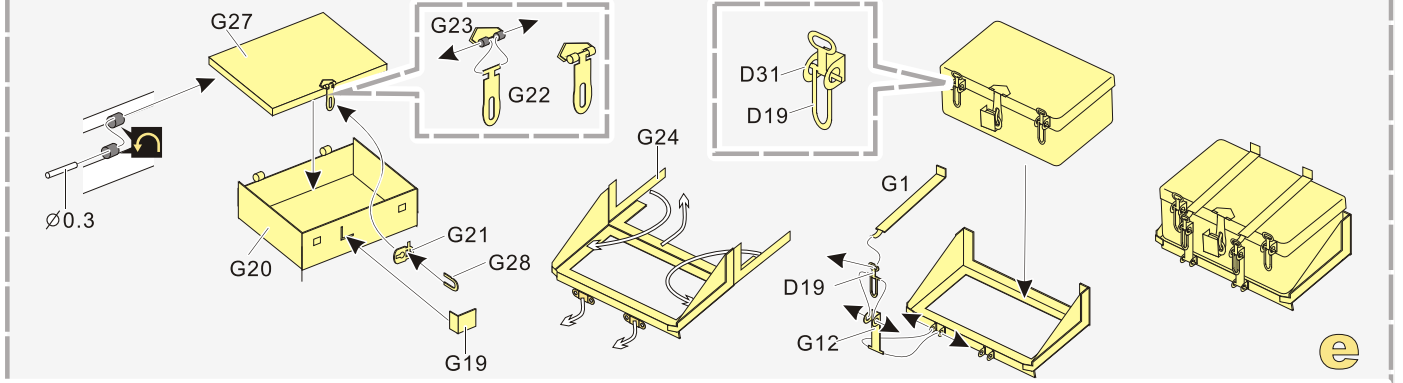
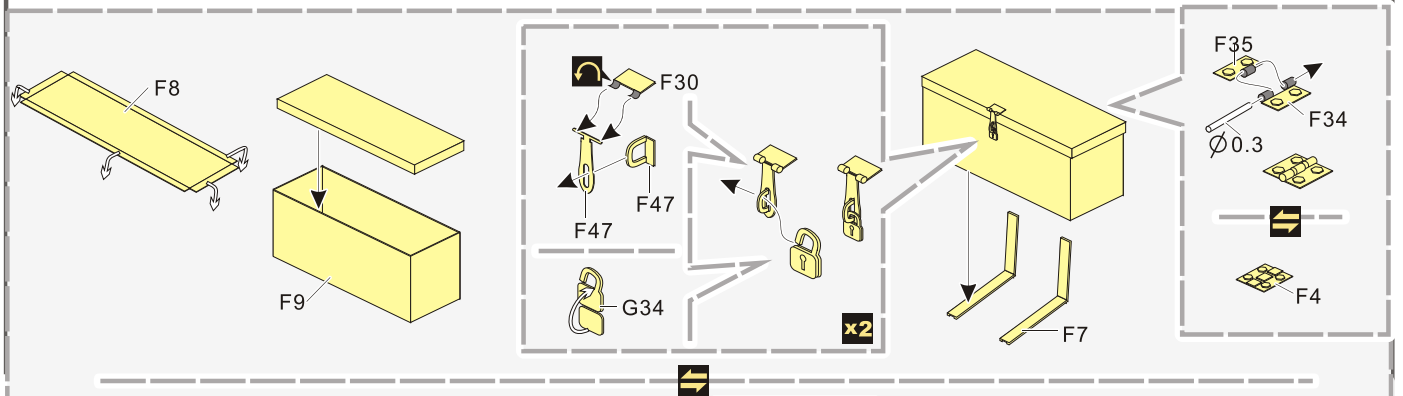
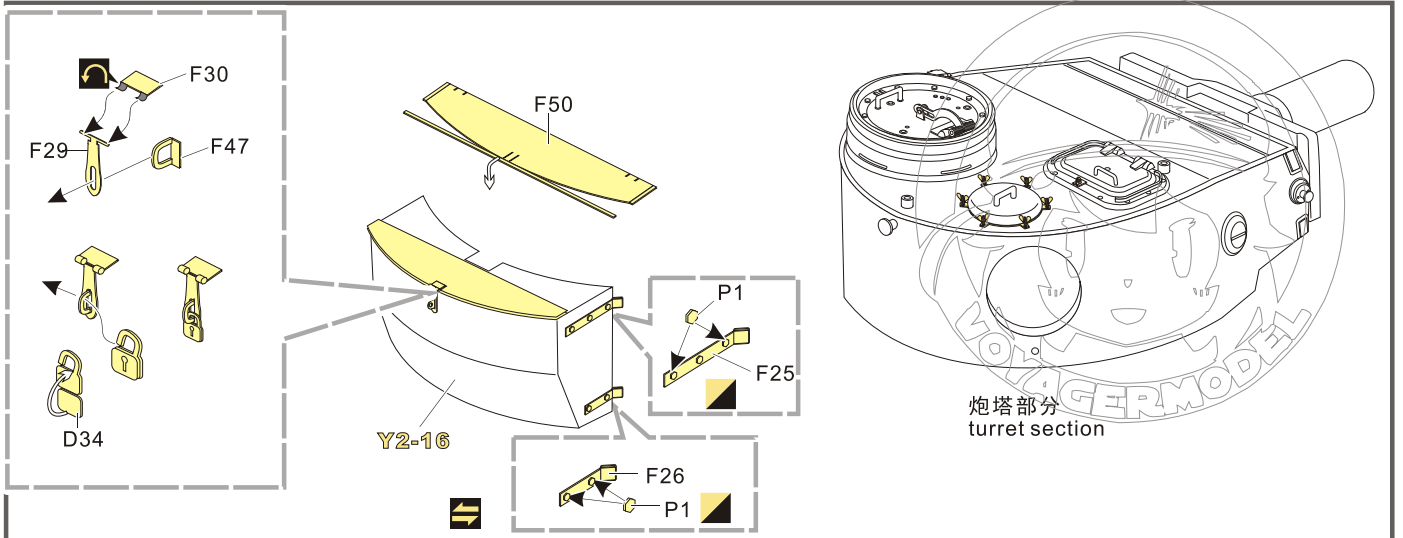
E2-1

E58

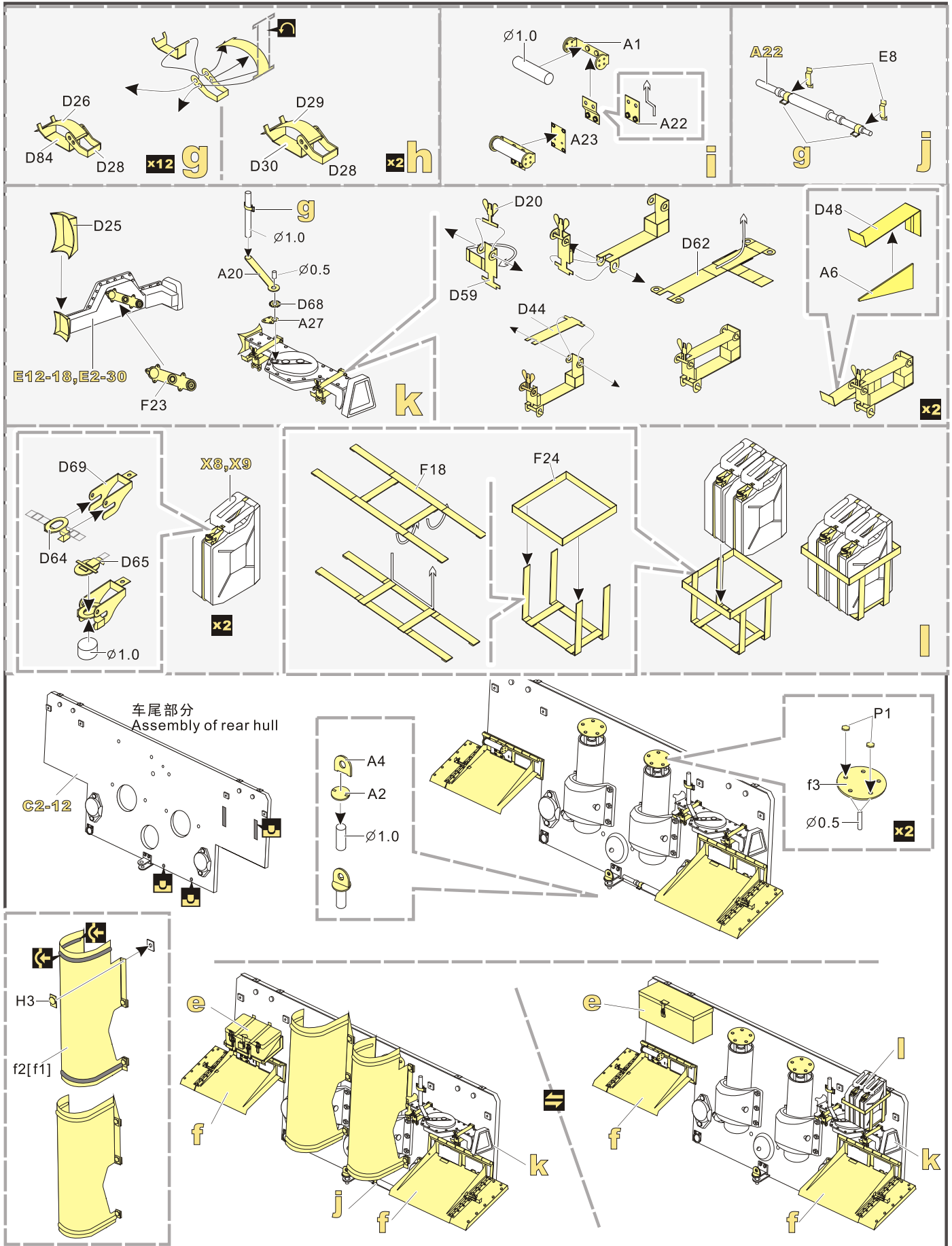
D7

车长指挥塔 Commander's cupola

1/35 MILITARY MINIATURE VEHICLE UPGRADE SERIES PE351298

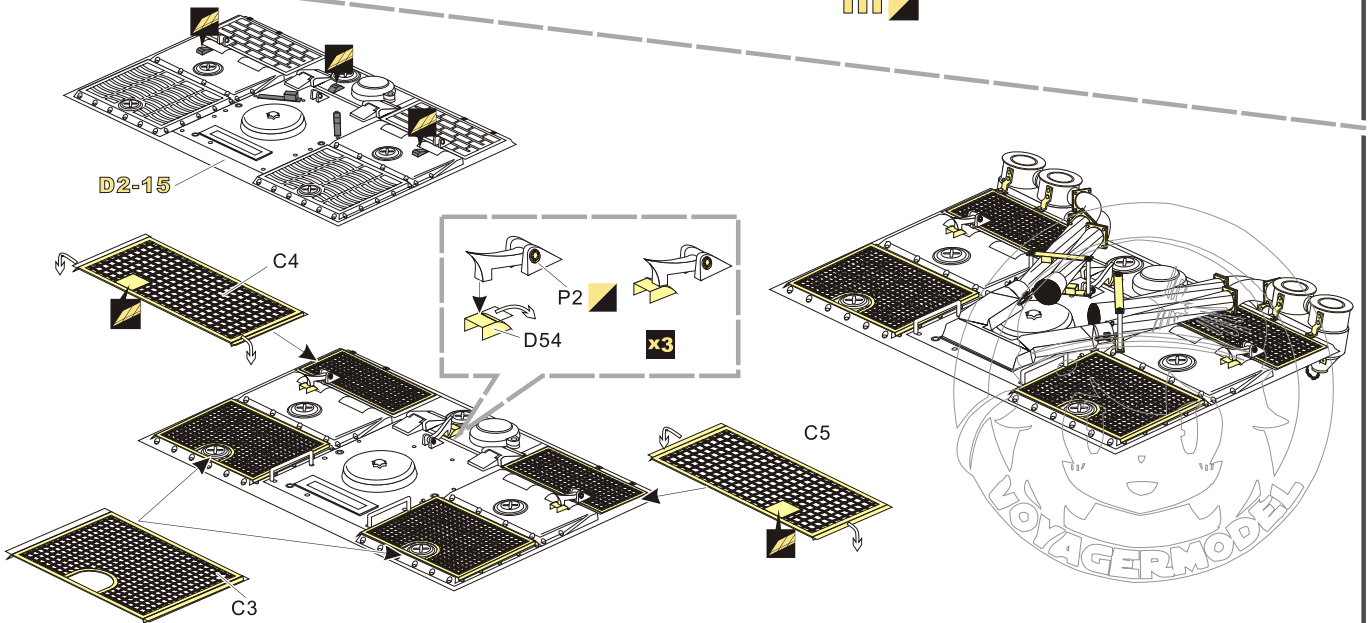
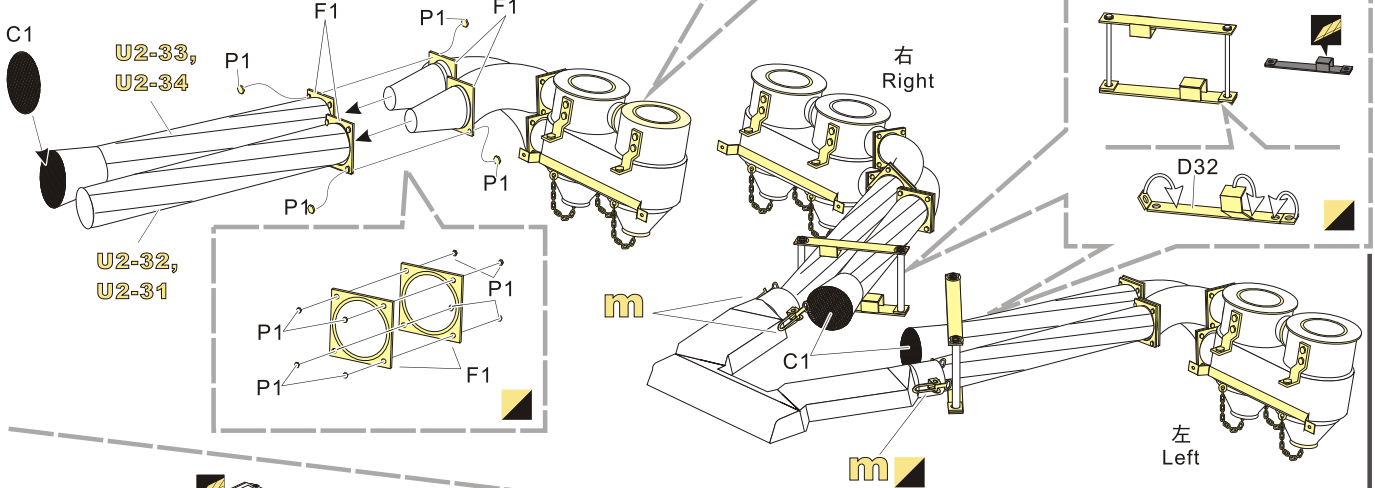
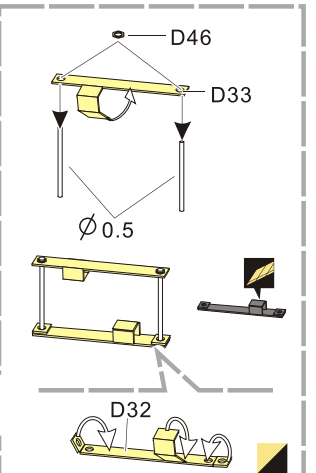
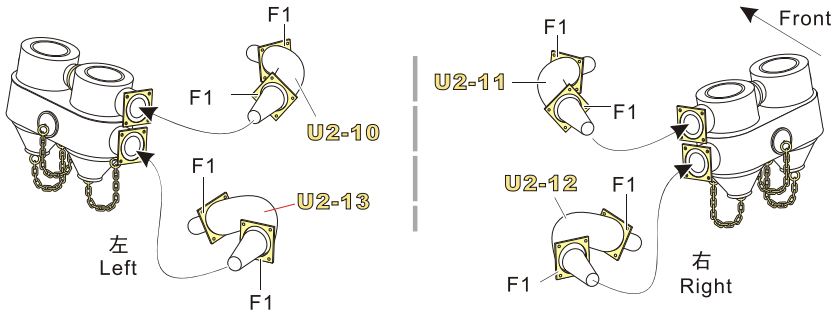
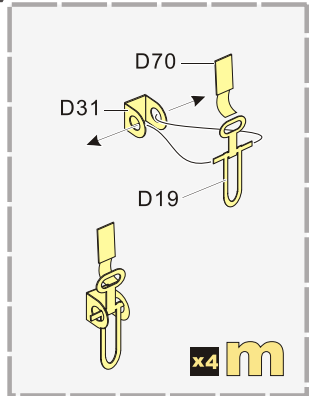
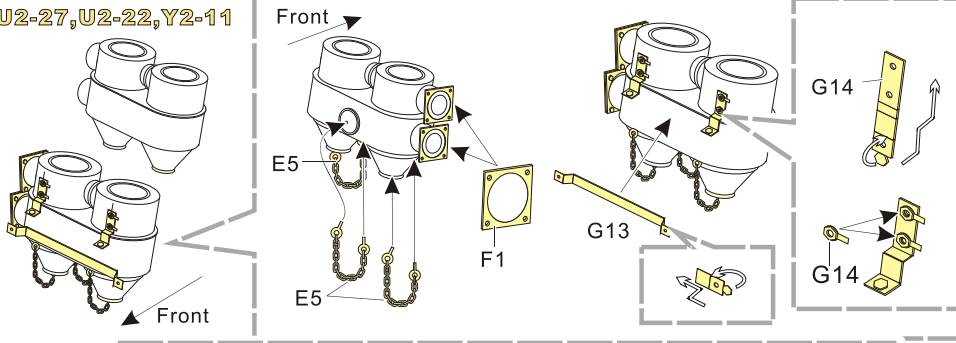


1/35 MILITARY MINIATURE VEHICLE UPGRADE SERIES PE351298

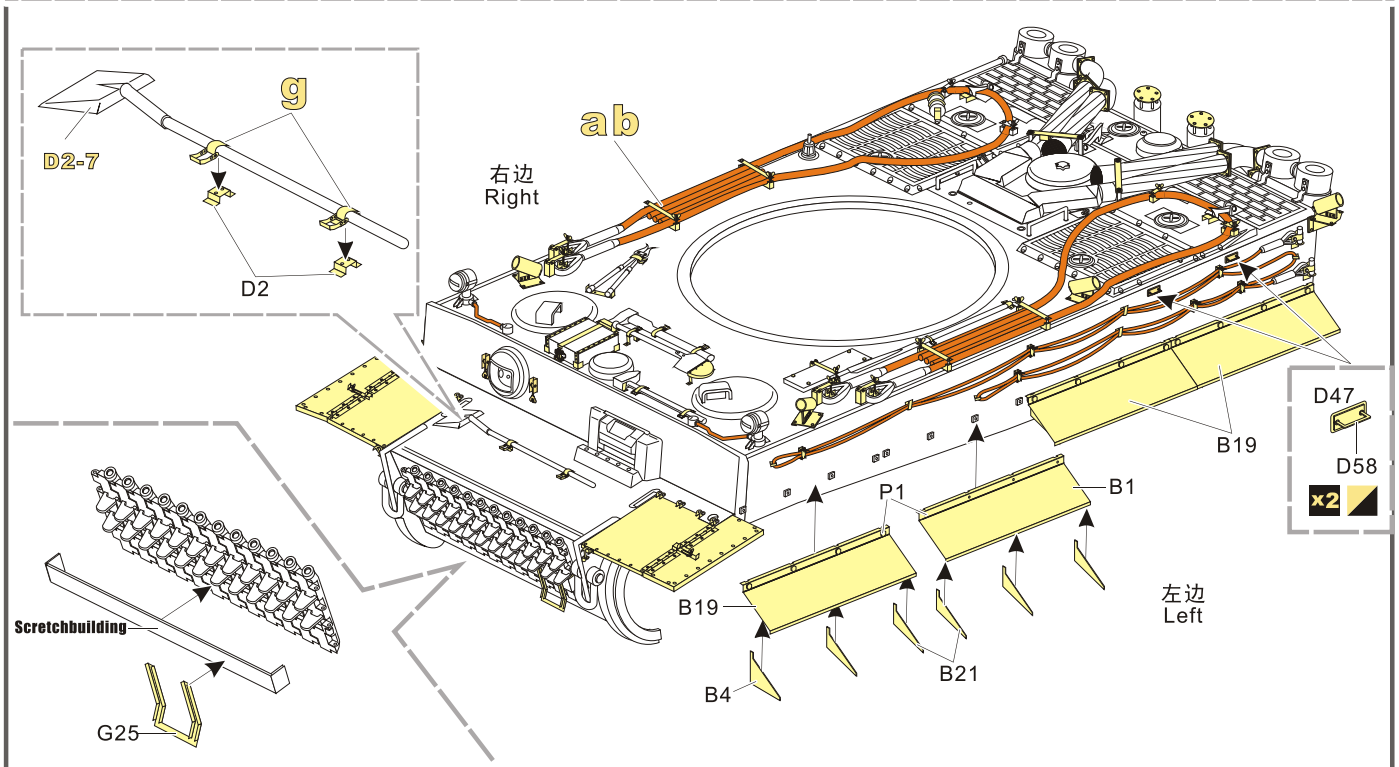
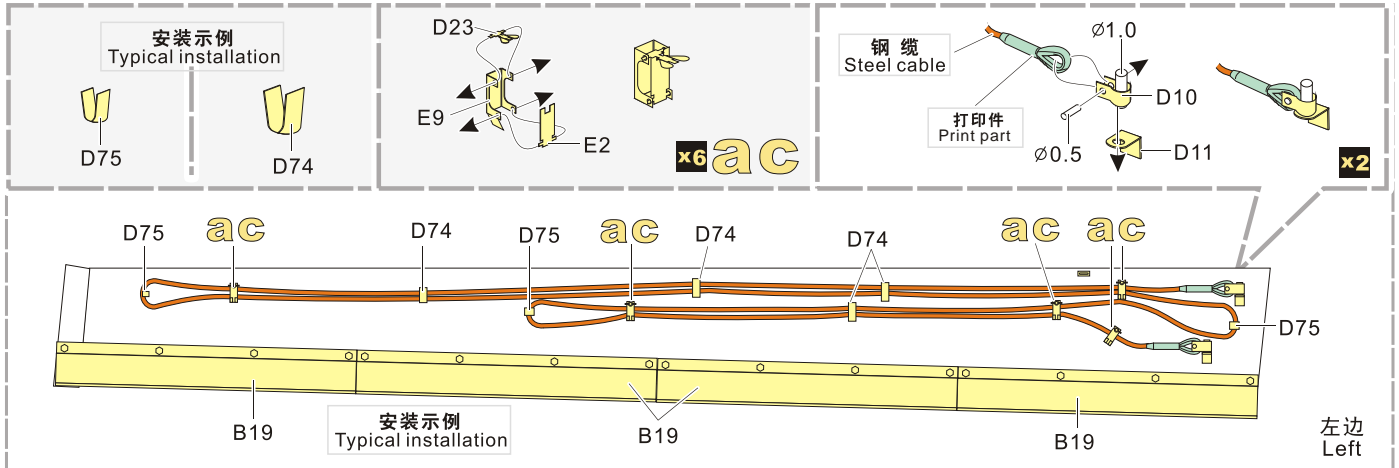
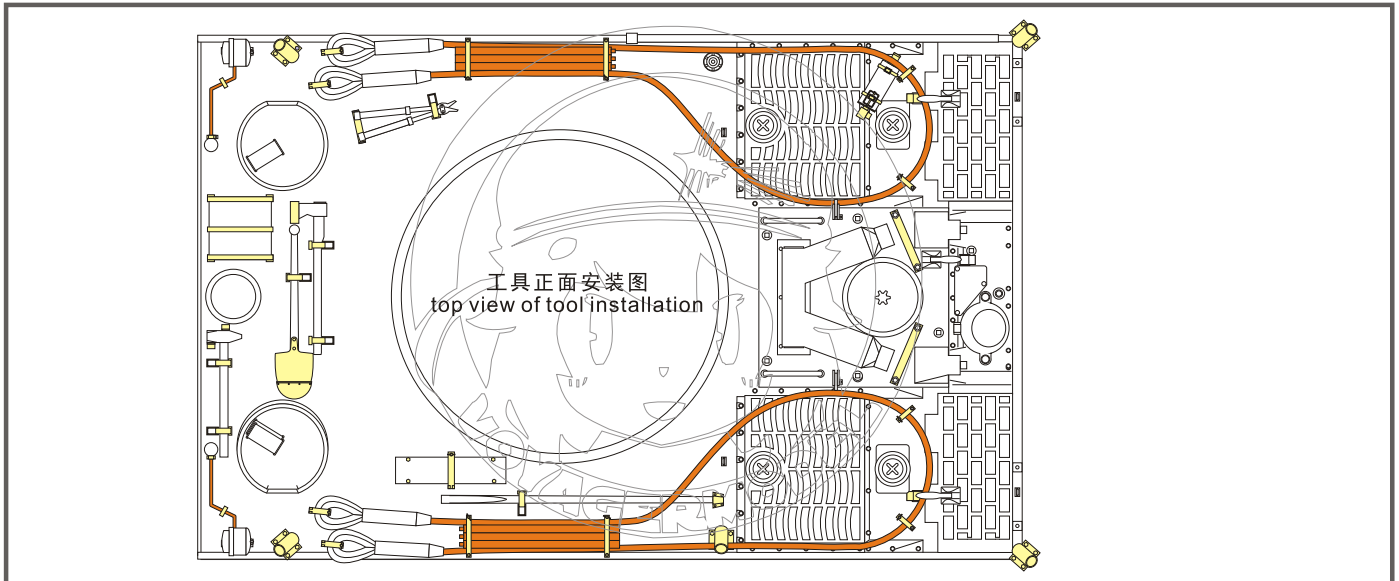


1/35 MILITARY MINIATURE VEHICLE UPGRADE SERIES PE351298

U2-27,U2-22,Y2-11



1/35 MILITARY MINIATURE VEHICLE UPGRADE SERIES PE351298



1/35 MILITARY MINIATURE VEHICLE UPGRADE SERIES PE351298

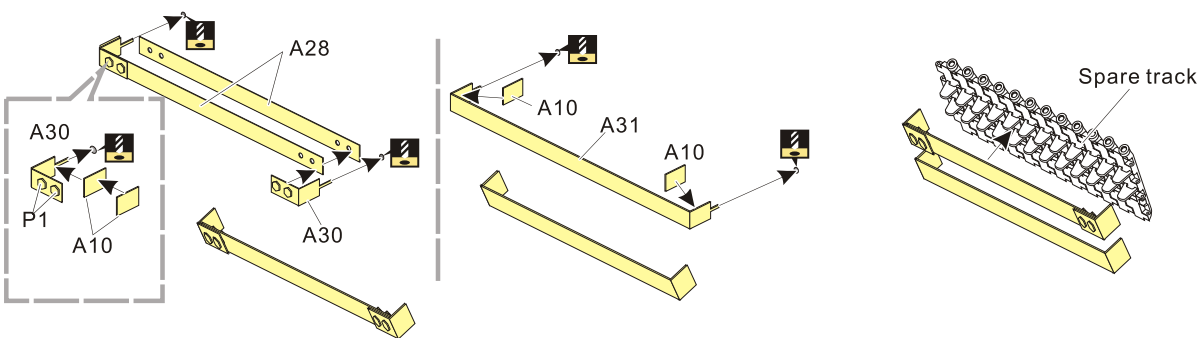
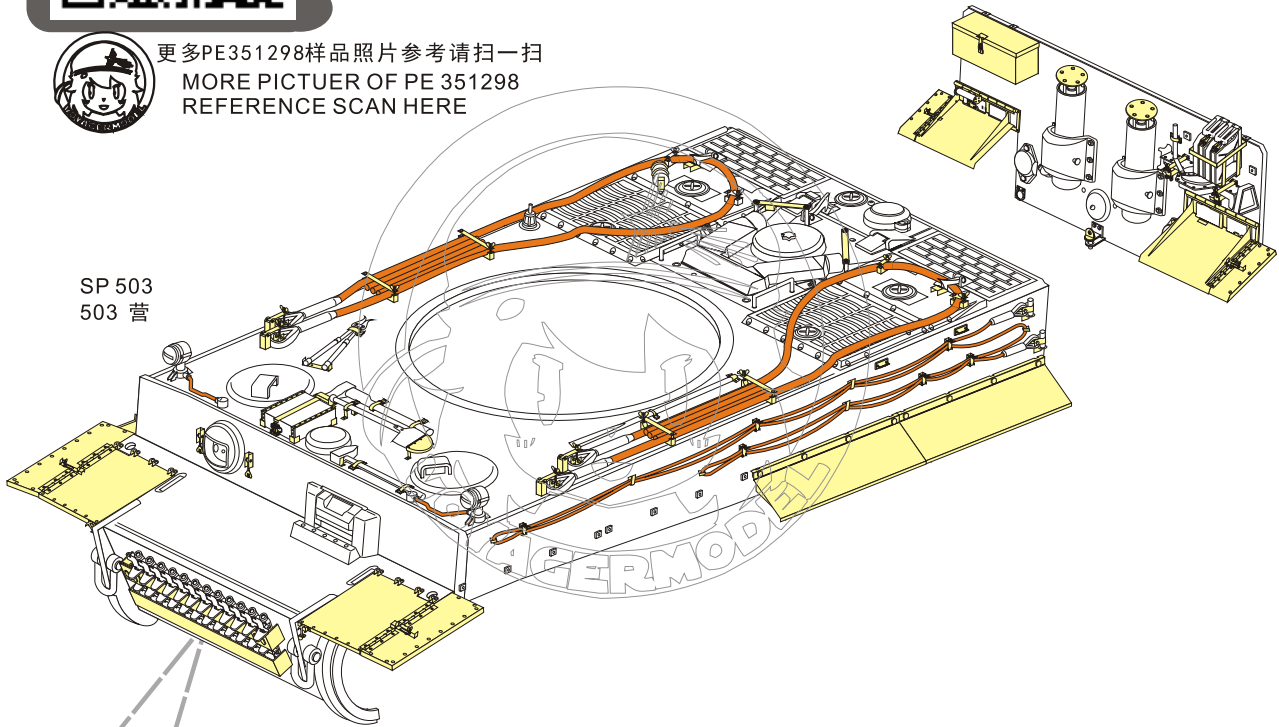
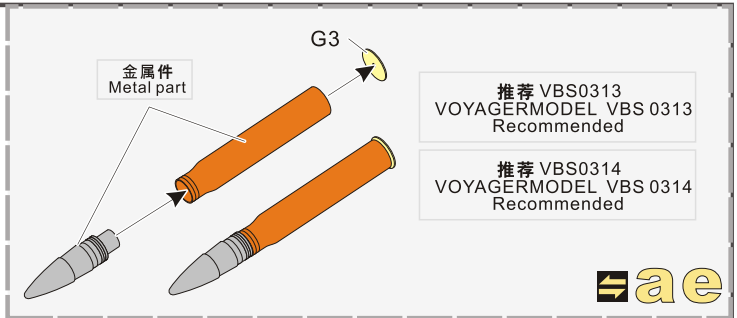
[Http://www.voyagermodel.com/productdetails.asp?itemid=PE351298](http://www.voyagermodel.com/productdetails.asp?itemid=PE351298)



**VOYAGER
MODEL**



更多PE351298样品照片参考请扫一扫
MORE PICTUER OF PE 351298
REFERENCE SCAN HERE



VOYAGERMODEL® 无微不至 精益求精

Recommended item		
PE 35793	WWII German Tiger I Early Production INTERIOR	[For RFM]
VBS0313	WWII German 88mm L/56 Ammunition (12PCES)	
VBS0314	WWII German 88mm L/56 Ammunition cartridge (12PCES)	
VBS0105	WWII German Tiger I Barrel (Early Version)	
PEA 381	WWII German Tiger I road wheel shafts (16PCES)	
PE 35799	WWII German Tiger I Initial Production Afrika korp	[For RFM]
PE 35762	WWII German Tiger I Initial Production Afrika korp	[For DRAGON]
PE 35178	WWII German STURMTIGER	[For TAMIYA]
PE 35179	WWII German Tiger I Late Production	[For DRAGON]
PE 35542	WWII German Tiger I Early Production	[For DRAGON]
PE 35777	WWII German Tiger I MID Production (early ver.) Basic	[For TAMIYA]
PE 35795	WWII German Tiger I Late Production	[For TAMIYA]
PE 35771	WWII German Tiger I Early Production Basic	[For RFM]
PE 35839	WWII German Tiger I Gruppe "Fehrmann"	[For RFM]



微博公众号
Weibo official or code



官方淘宝
The official taobao



微信公众号
Wechat official or code