

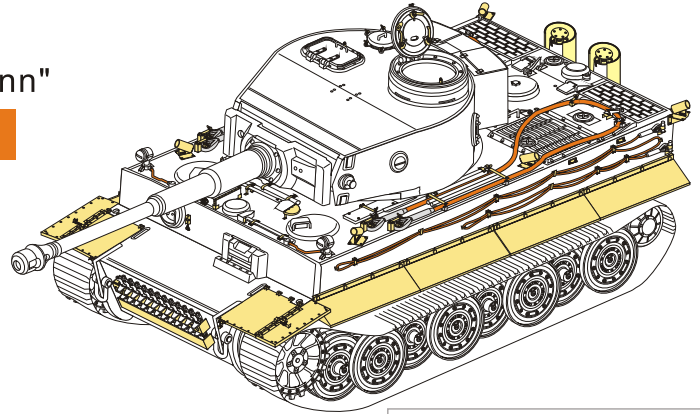
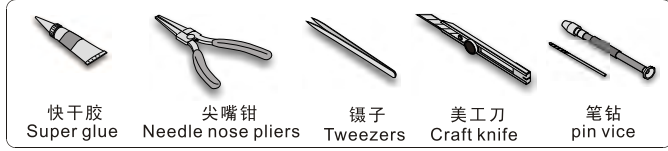
1/35 MILITARY MINIATURE VEHICLE UPGRADE SERIES PE351299

WWII German Tiger I Gruppe "Fehrmann"

二战德军虎I型坦克混装型改造件

[For TAKOM 2202]

推荐使用工具 RECOMMENDED TOOLS



- 安装
install
- 折叠
bend
- A1**

改造件零件编号
PE/resin part number
- B12**

原零件编号
kit part number
- C22**

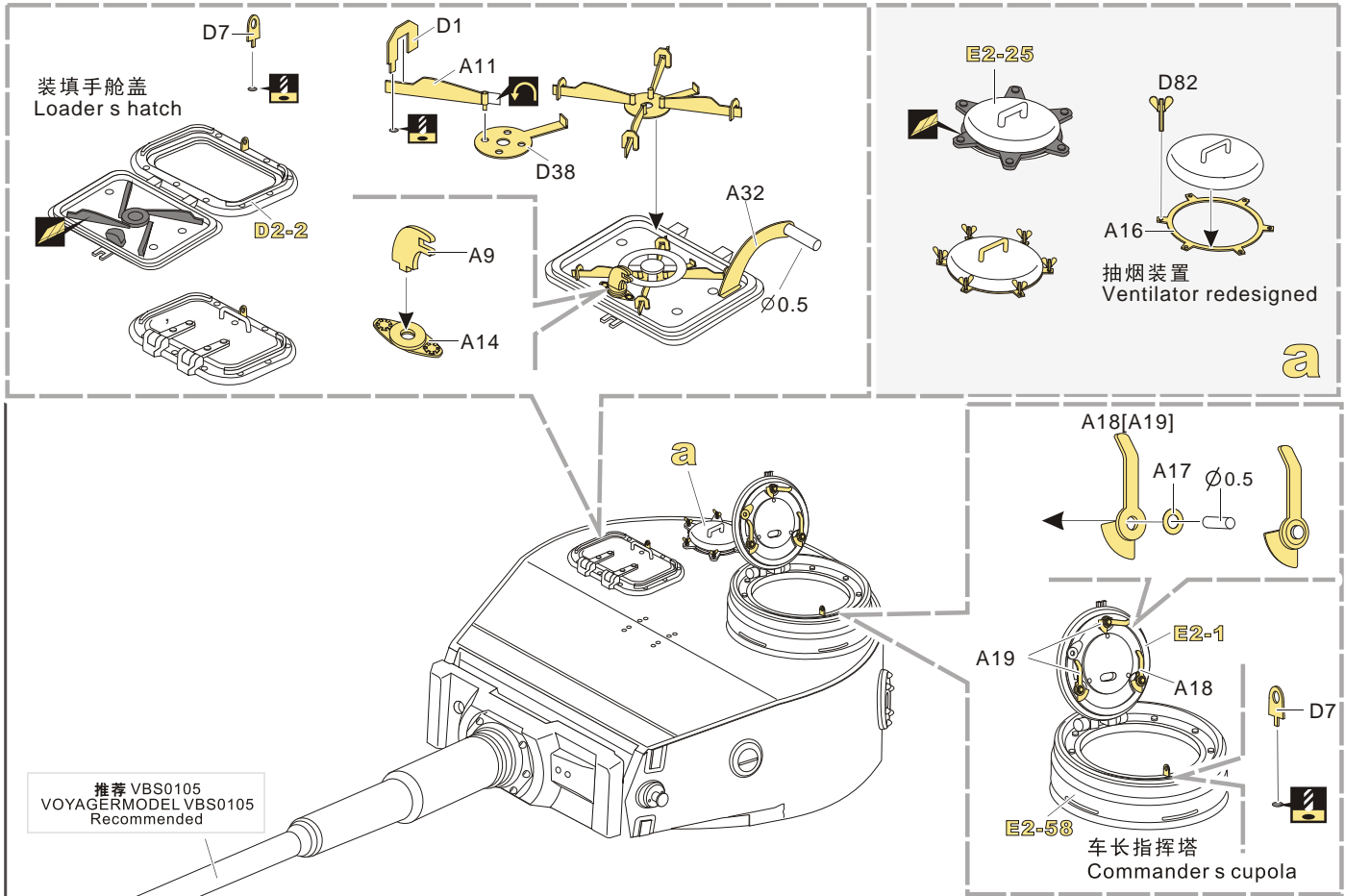
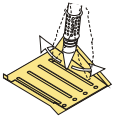
被替换的原零件编号
replaced kit part number
- 切除
remove
- 弧度卷曲
radial bending
- 钻孔
drill
- 注意
caution
- 扩孔
ream
- x2**

制作若干组
multiple assembly
- 填补
fill
- 选择安装
alternative
- 另一侧相同制作
repeat on opposite side

用尖端在凹槽处冲压
use penpoint to press on the dent

蚀刻片零件内面向上
Put the part upside down

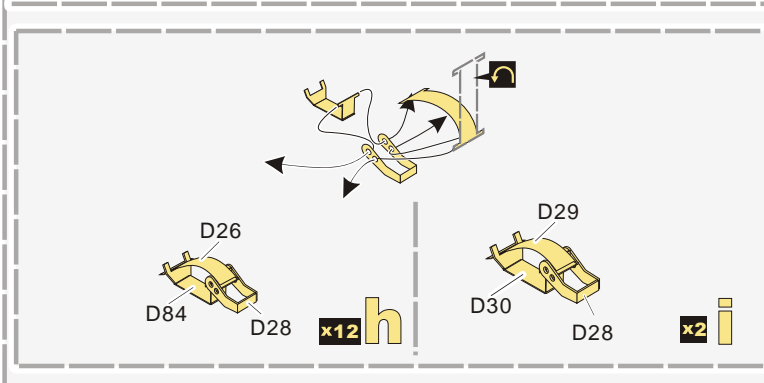
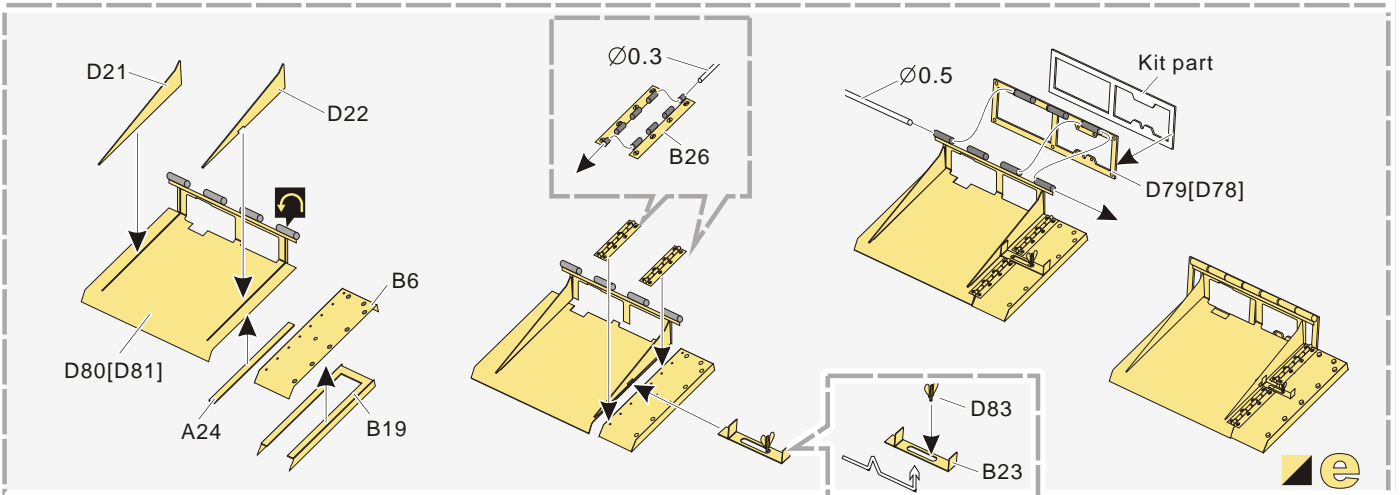
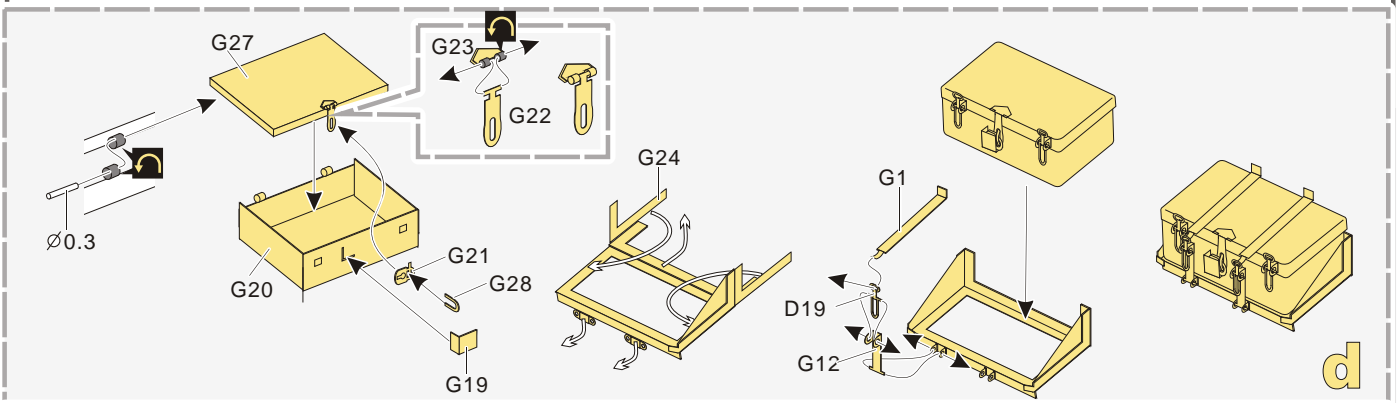
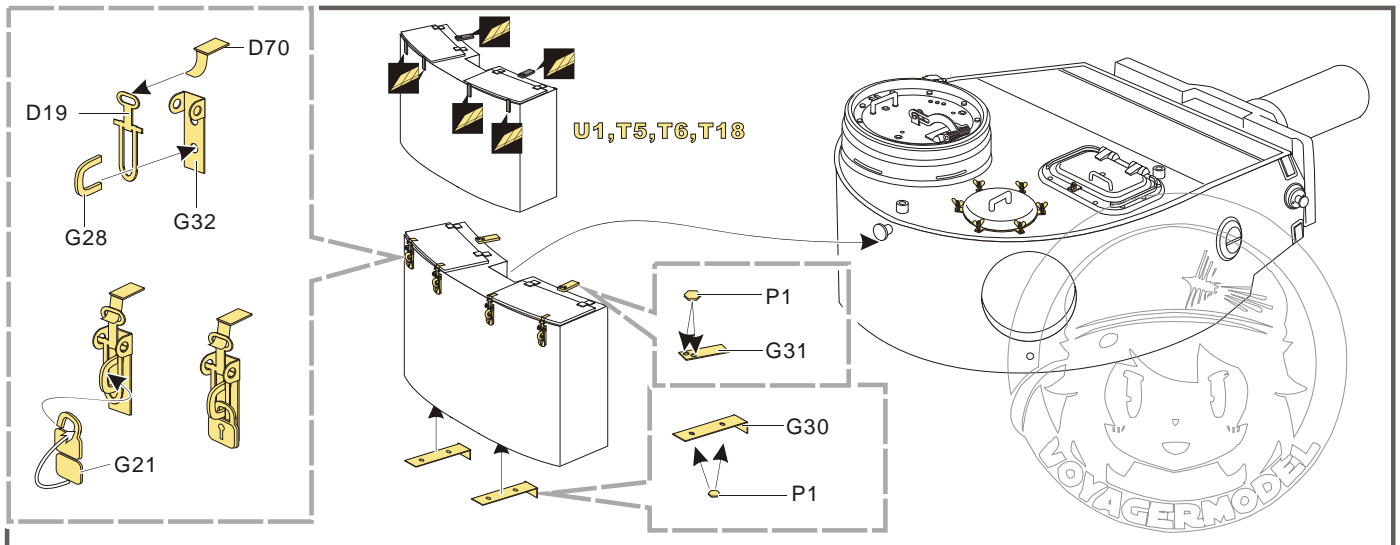
用笔尖在凹槽处刮
Use penpoint to press on the dent



推荐 VBS0105
VOYAGERMODEL VBS0105
Recommended

VOYAGERMODEL [®] 无微不至 极致享受	
Recommended item	
PE 35793	WWII German Tiger I Early Production INTERIOR
VBS0313	WWII German 88mm L/56 Ammunition (12PCES)
VBS0314	WWII German 88mm L/56 Ammunition cartridge (12PCES)
VBS0105	WWII German Tiger I Barrel (Early Version)
PEA381	WWII German Tiger I road wheel shafts (16PCES)
PE 35799	WWII German Tiger I Initial Production Afrika korp [For RFM]
PE 35762	WWII German Tiger I Initial Production Afrika korp [For DRAGON]
PEA055	WWII German Tiger I Stowage bin

1/35 MILITARY MINIATURE VEHICLE UPGRADE SERIES PE351299



[Http://www.voyagermodel.com/productdetails.asp?itemid=PE351299](http://www.voyagermodel.com/productdetails.asp?itemid=PE351299)

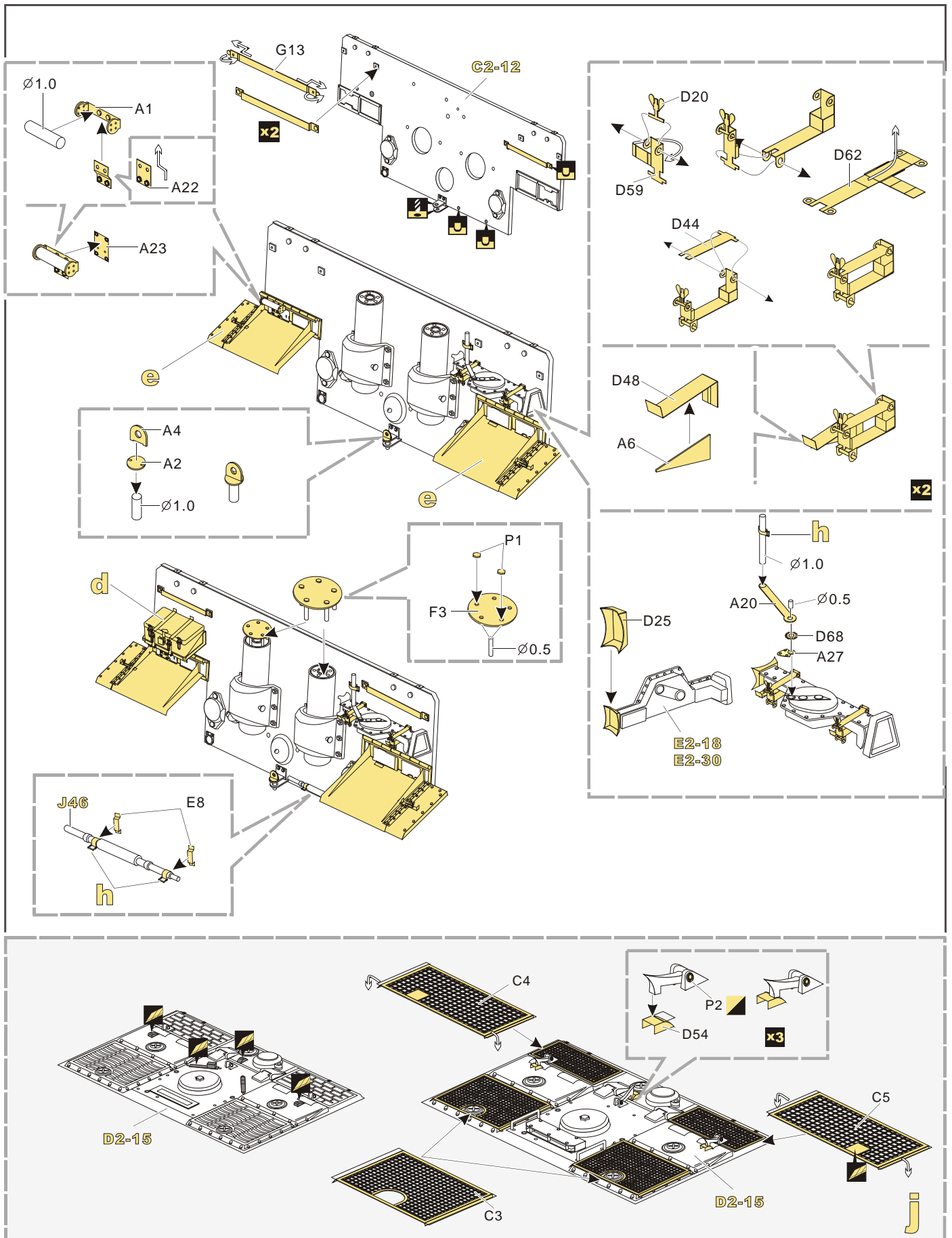


**VOYAGER
MODEL**

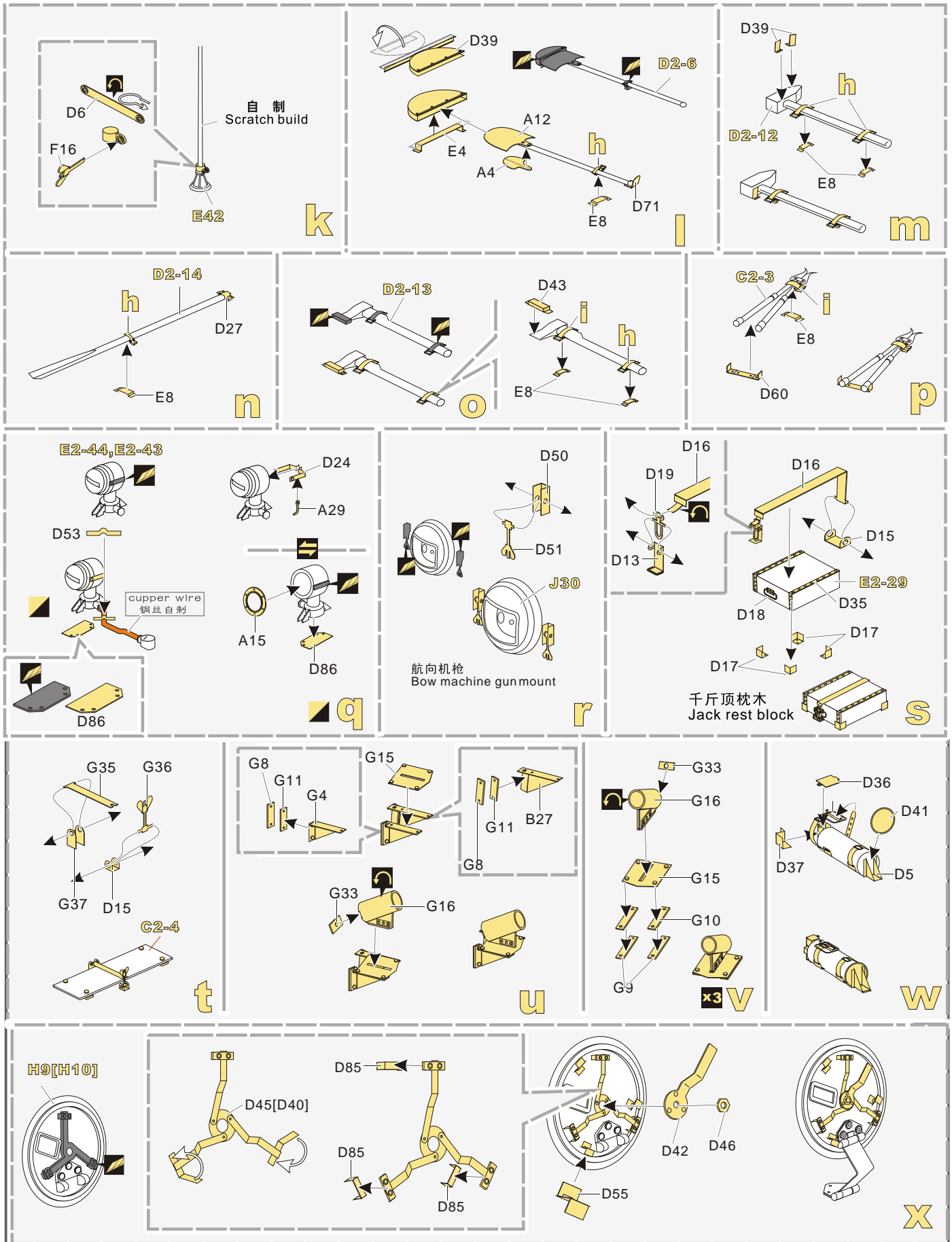


更多PE351299样品照片参考请扫一扫
MORE PICTUER OF PE 351299
REFERENCE SCAN HERE

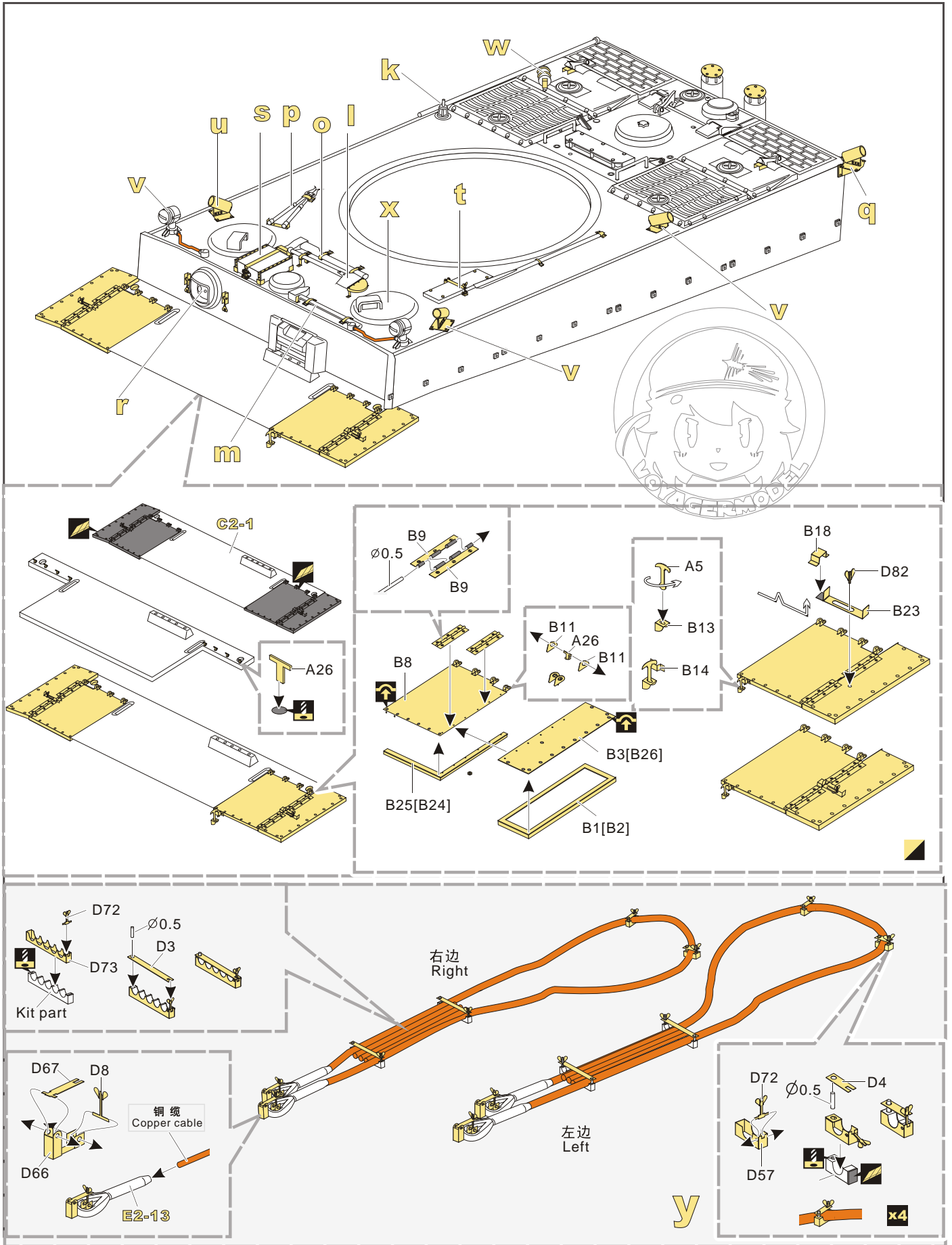
1/35 MILITARY MINIATURE VEHICLE UPGRADE SERIES PE351299



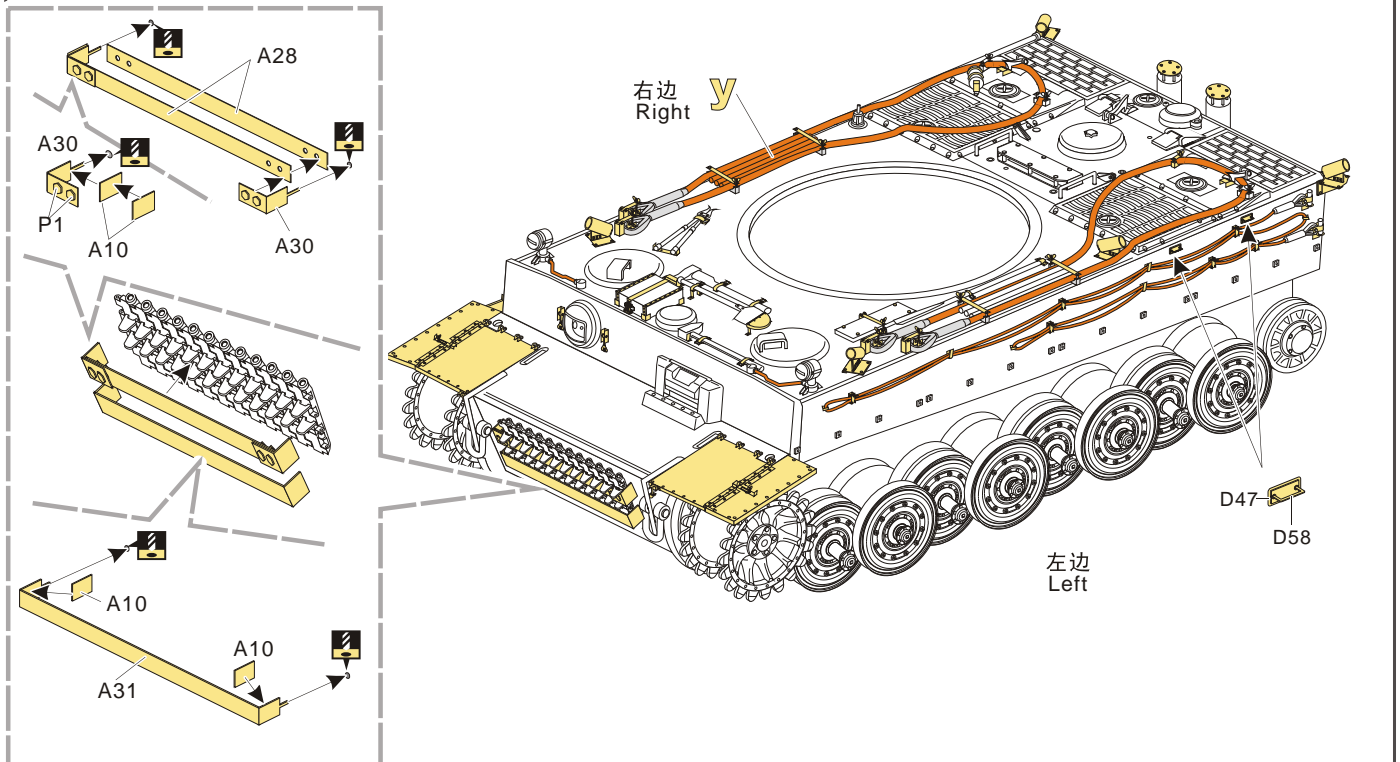
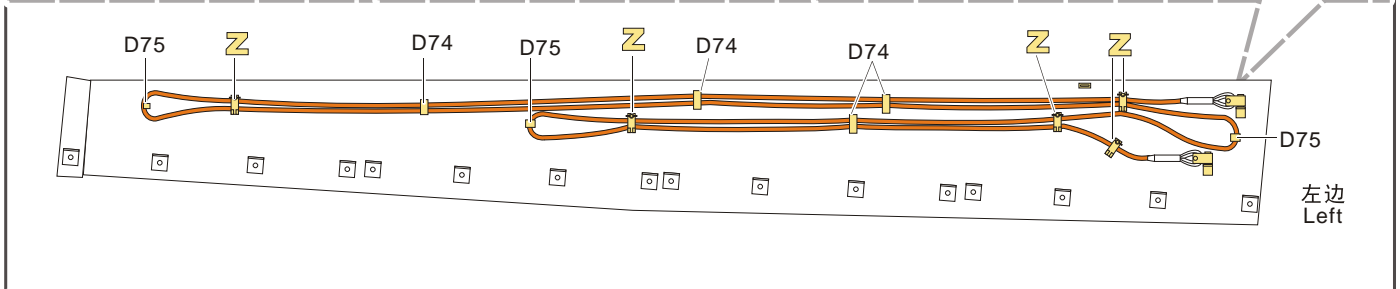
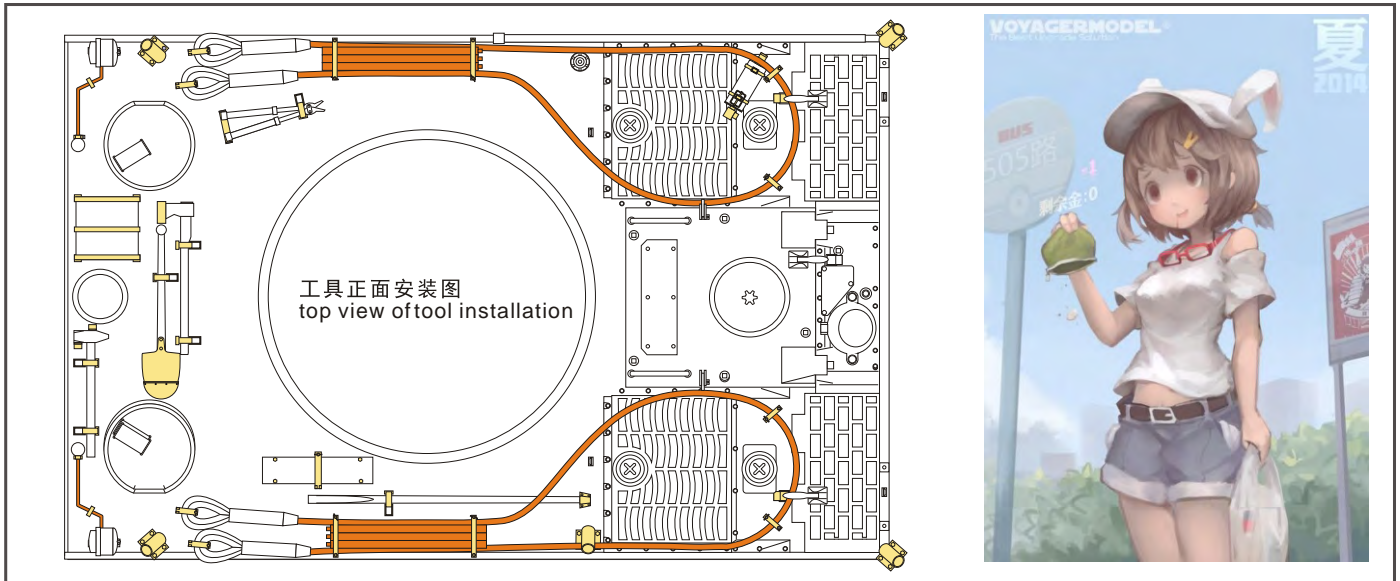
1/35 MILITARY MINIATURE VEHICLE UPGRADE SERIES PE351299



1/35 MILITARY MINIATURE VEHICLE UPGRADE SERIES PE351299



1/35 MILITARY MINIATURE VEHICLE UPGRADE SERIES PE351299



1/35 MILITARY MINIATURE VEHICLE UPGRADE SERIES PE351299

