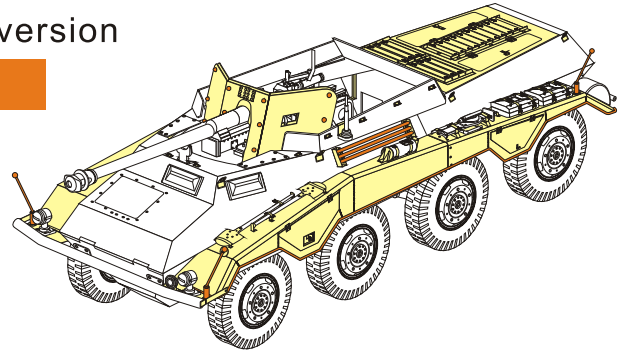


1/35 MILITARY MINIATURE VEHICLE UPGRADE SERIES PE351302

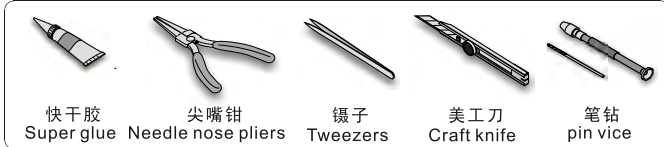
## WWII German Sd.Kfz 234 storage box late version










### 二战德军Sd.Kfz.234 8轮装甲车储物箱后期型


[For RMF 5110, 5118]



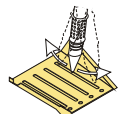
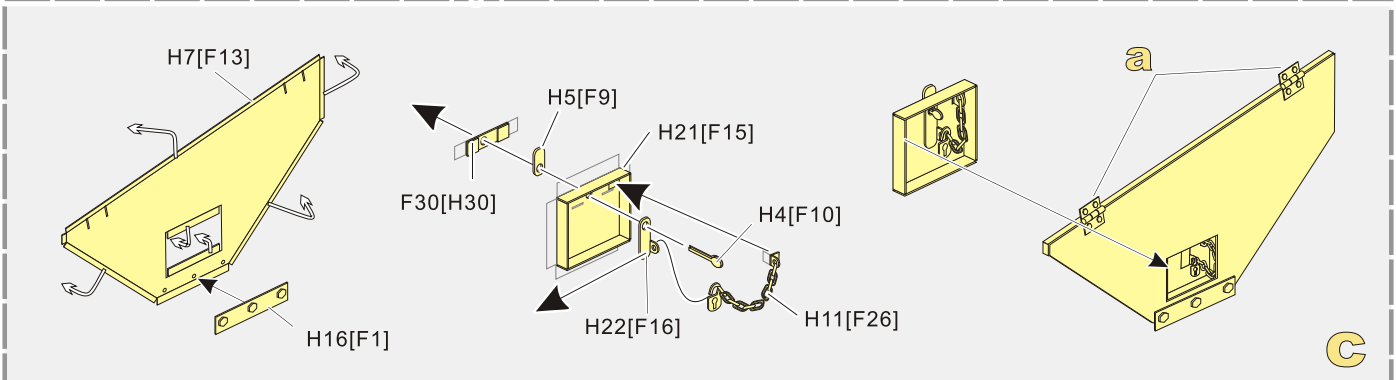
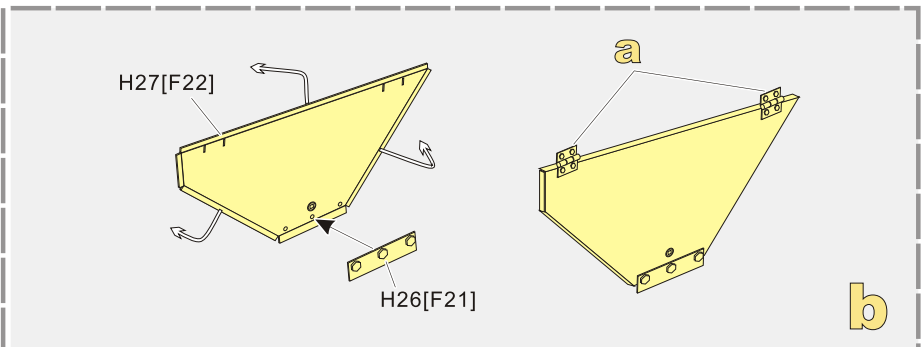
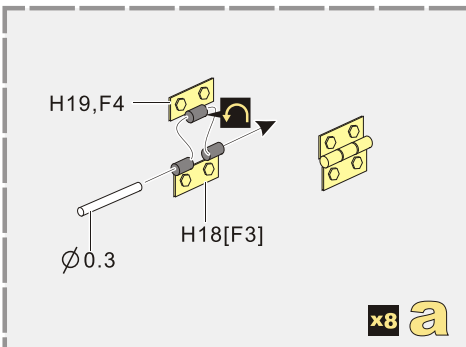
#### 推荐使用工具 RECOMMENDED TOOLS



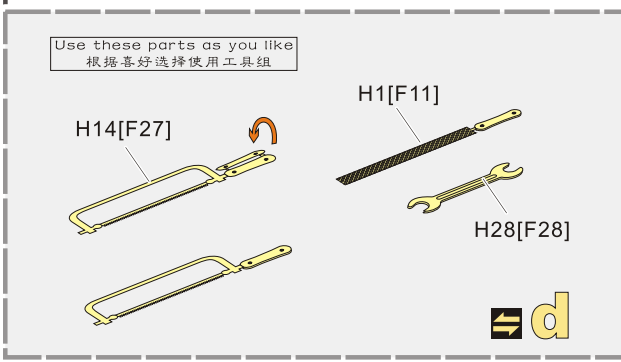
-   
 安装  
install
-   
 折叠  
bend
- A1**  
 改造件零件编号  
PE/resin part number
- B12**  
 原零件编号  
kit part number
- C22**  
 被替换的原零件编号  
replaced kit part number
-   
 另一侧相同制作  
repeat on opposite side
-   
 切除  
remove
-   
 打磨  
grind off
-   
 弧度卷曲  
radial bending
- x2**  
 制作若干组  
multiple assembly
-   
 选择安装  
alternative
-   
 钻孔  
drill
-   
 用胶棒制作  
make from plastic rod

  
 用尖端在凹槽处冲压  
use penpoint to press on the dent

蚀刻片零件内侧面向上  
Put the part upside down  
 用笔尖在凹槽处刺  
Use penpoint to press on the dent

[Http://www.voyagermodel.com/productdetails.asp?itemid=PE351302](http://www.voyagermodel.com/productdetails.asp?itemid=PE351302)

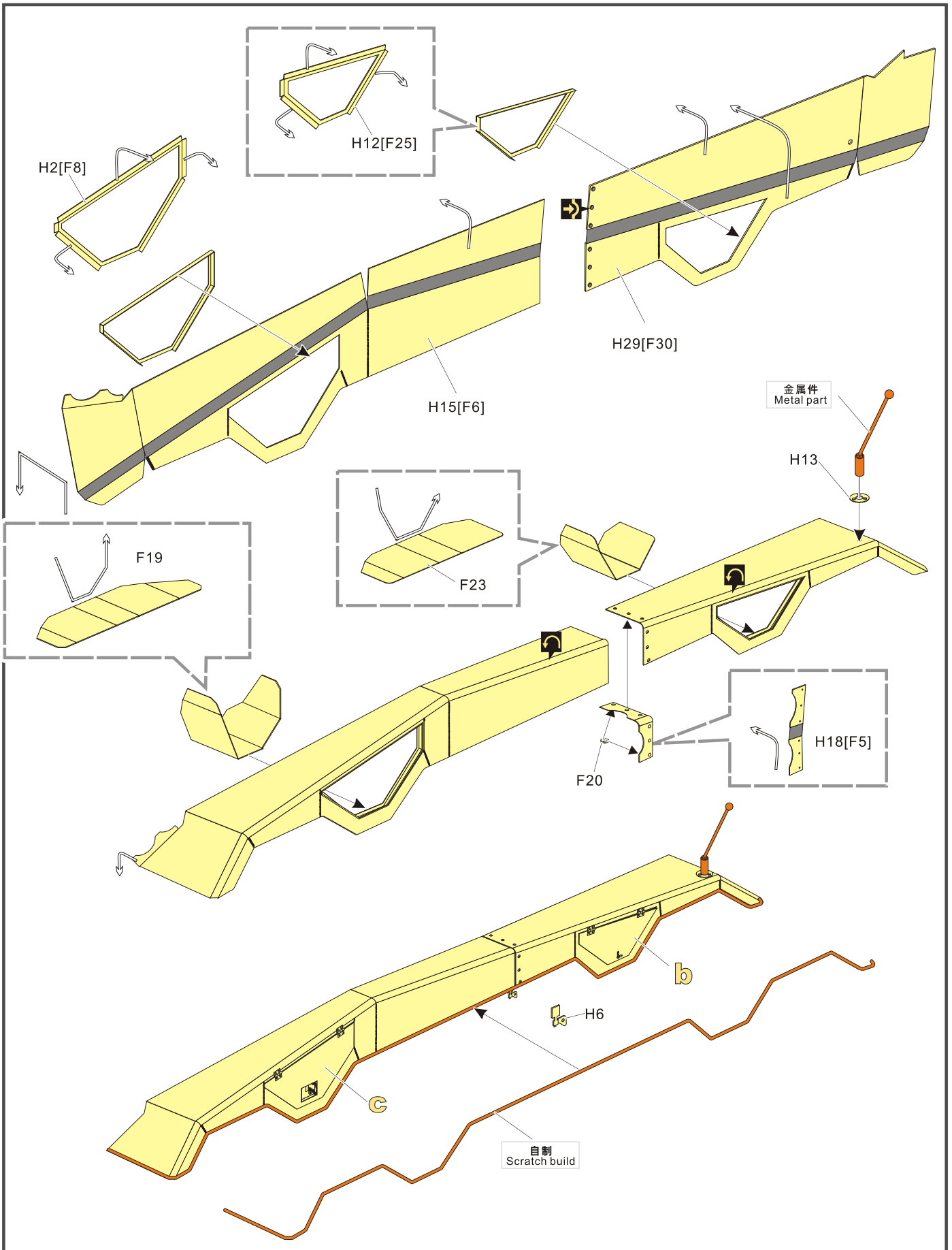


**VOYAGER  
MODEL**

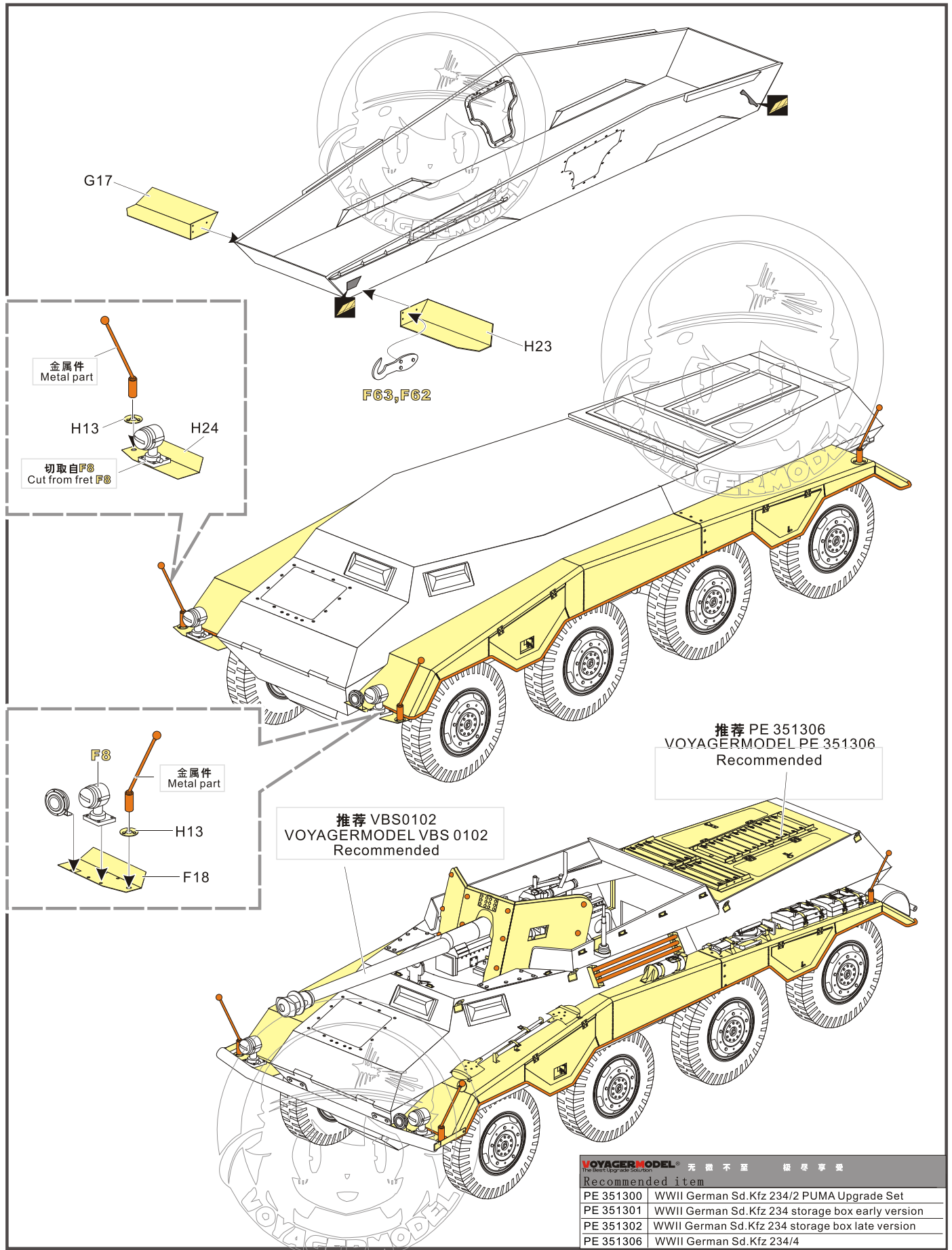


更多PE351302样品照片参考请扫一扫  
MORE PICTUER OF PE 351302  
REFERENCE SCAN HERE

1/35 MILITARY MINIATURE VEHICLE UPGRADE SERIES PE351302



1/35 MILITARY MINIATURE VEHICLE UPGRADE SERIES PE351302



推荐 PE 351306  
VOYAGERMODEL PE 351306  
Recommended

推荐 VBS0102  
VOYAGERMODEL VBS 0102  
Recommended

**VOYAGERMODEL**<sup>®</sup> 无微不至 极尽享受  
The Best Upgrade Solution

Recommended item	
PE 351300	WWII German Sd.Kfz 234/2 PUMA Upgrade Set
PE 351301	WWII German Sd.Kfz 234 storage box early version
PE 351302	WWII German Sd.Kfz 234 storage box late version
PE 351306	WWII German Sd.Kfz 234/4