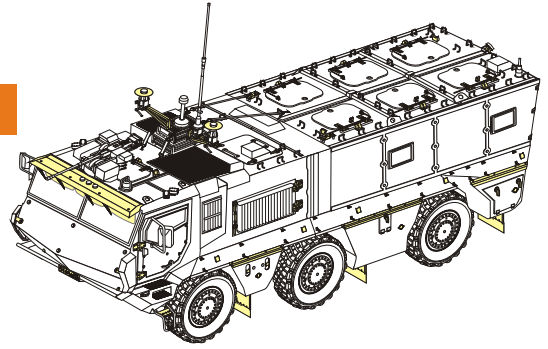


1/35 MILITARY MINIATURE VEHICLE UPGRADE SERIES PE351307

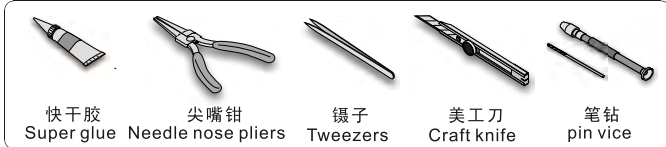
Modern Russian KamAZ-63968 Typhoon-K Basic

现代KamAZ-63968 台风-K 装甲车带武器战 改造基本件

[For TAKOM 2173]



推荐使用工具 RECOMMENDED TOOLS



- 安装
install
- 折叠
bend
- A1**

改造件零件编号
PE/resin part number
- B12**

原零件编号
kit part number
- C22**

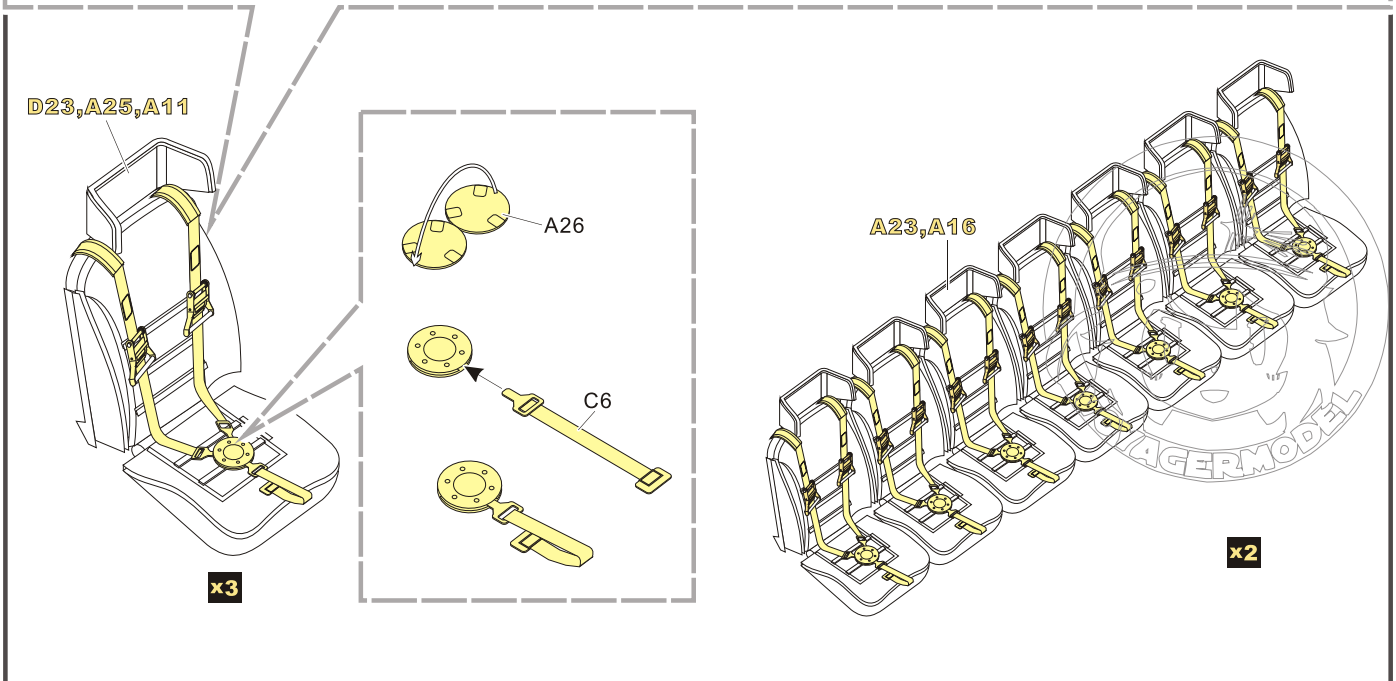
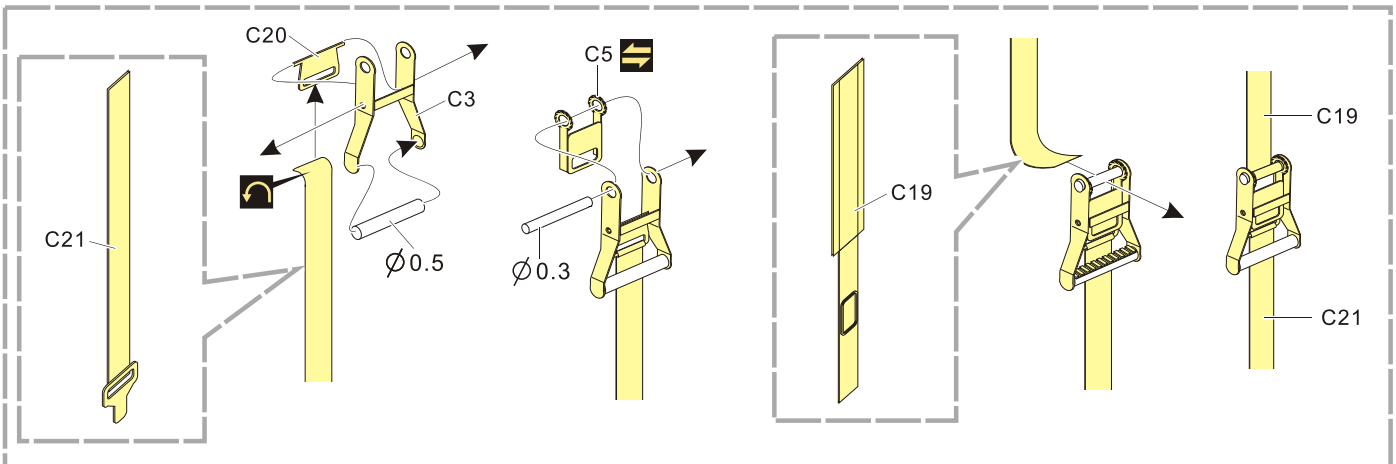
被替换的原零件编号
replaced kit part number
- 另一侧相同制作
repeat on opposite side
- 切除
remove
- 打磨
grind off
- 弧度卷曲
radial bending
- x2**

制作若干组
multiple assembly
- 选择安装
alternative
- 钻孔
drill
- 用胶棒制作
make from plastic rod

用尖端在凹槽处冲压
use penpoint to press on the dent

蚀刻片零件内侧面向上
Put the part upside down

用笔尖在凹槽处刮
Use penpoint to press on the dent



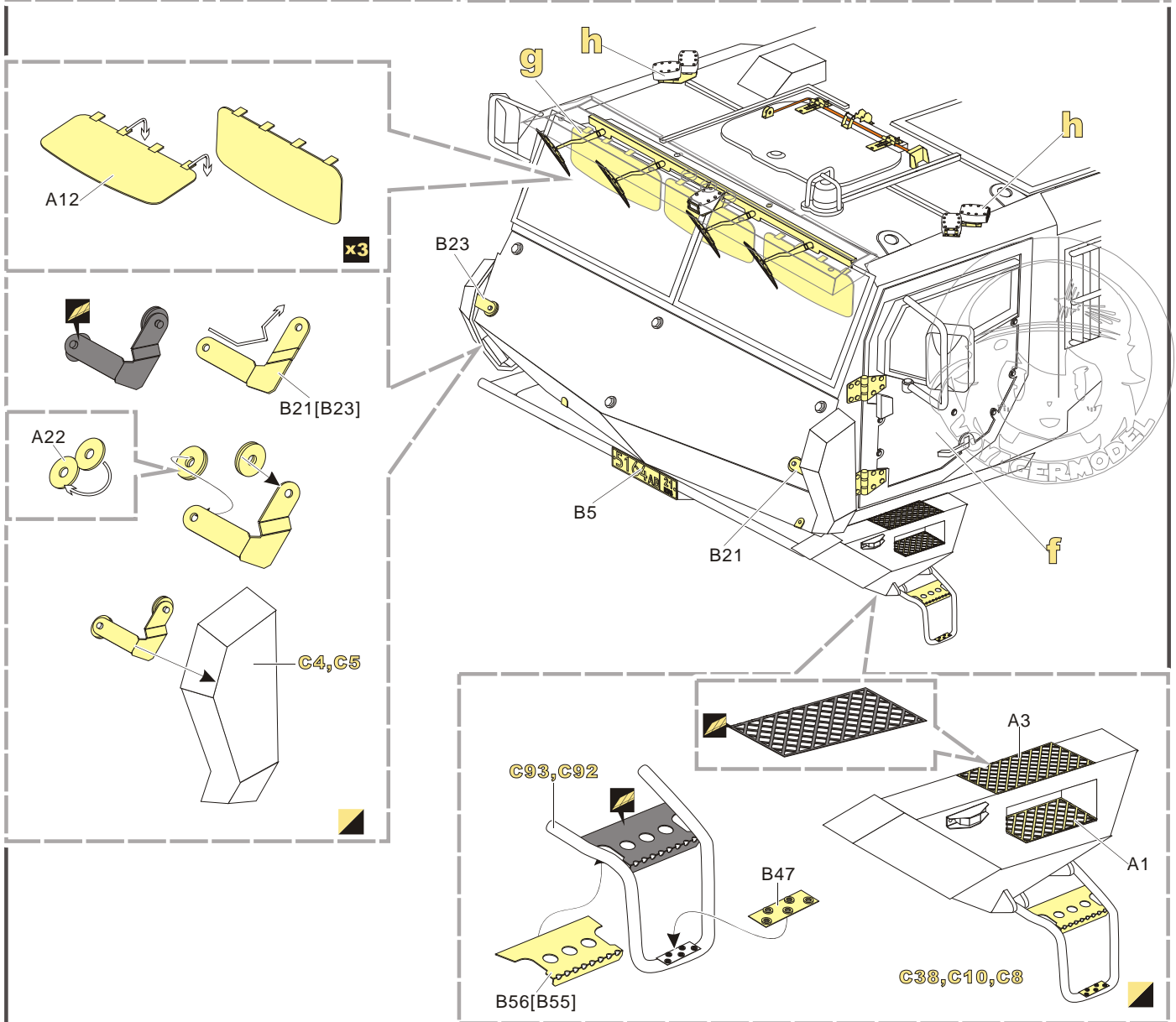
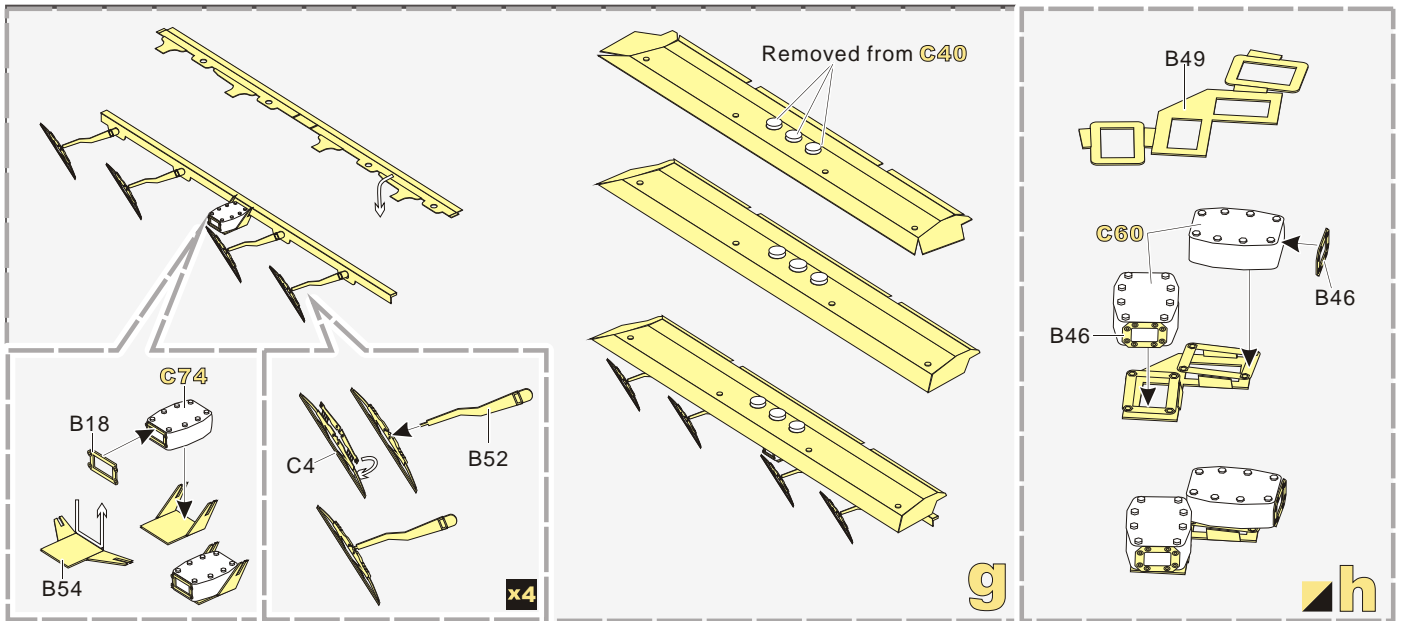
1/35 MILITARY MINIATURE VEHICLE UPGRADE SERIES PE351307

A24 A25 C23
 B70
 B24
 A22
 Ø0.3
 A59[A60]
 B50 B22
 树脂件
 Resin part
 自制
 Scratch build
 a x2 b c

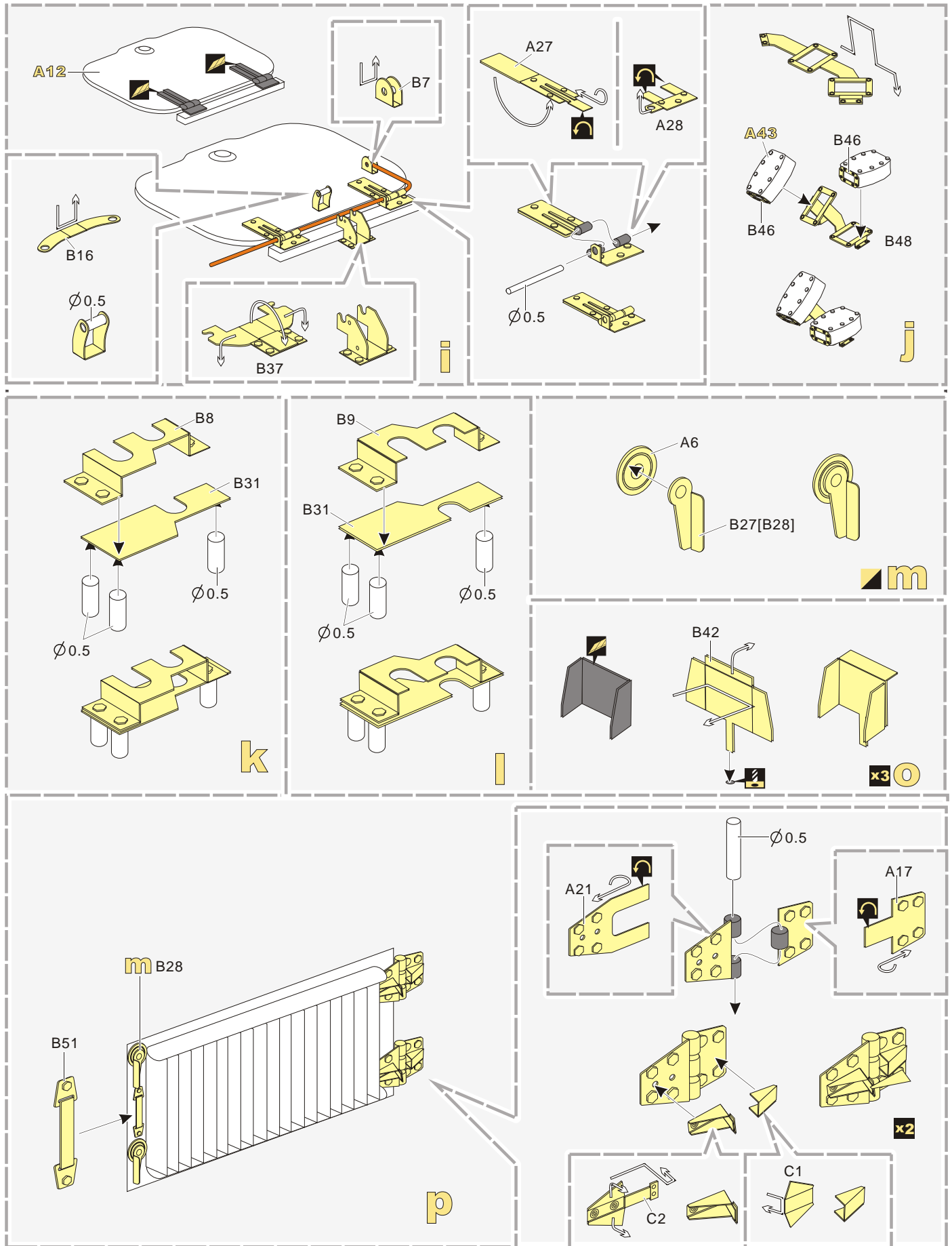
A11[A10] d
 B5 B6
 A59 c
 A11 d
 A60 c
 A10 d
 D16, D15
 Ø0.5
 A13 e
 A4
 a b c d e

C46, C47
 B57 B36
 B12[B11]
 A16 A17
 Ø0.5
 C45[C44] f
 C8 x3
 A1

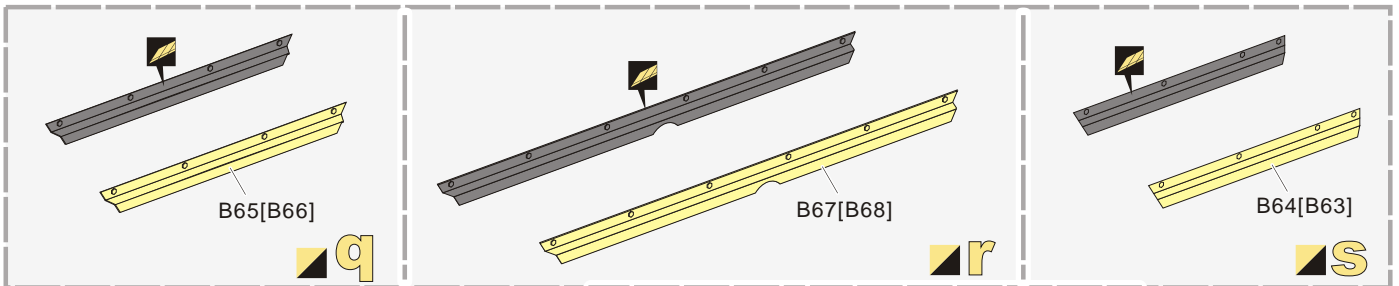
1/35 MILITARY MINIATURE VEHICLE UPGRADE SERIES PE351307



1/35 MILITARY MINIATURE VEHICLE UPGRADE SERIES PE351307



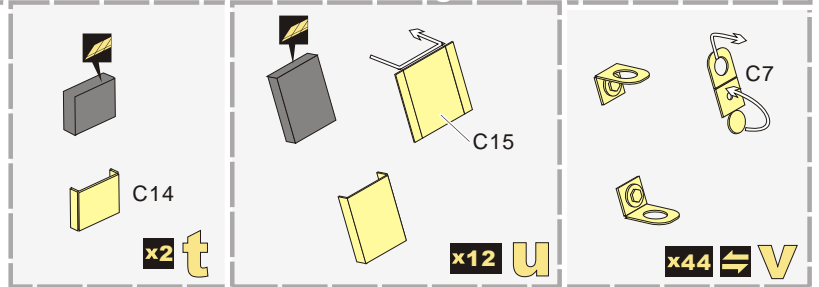
1/35 MILITARY MINIATURE VEHICLE UPGRADE SERIES PE351307



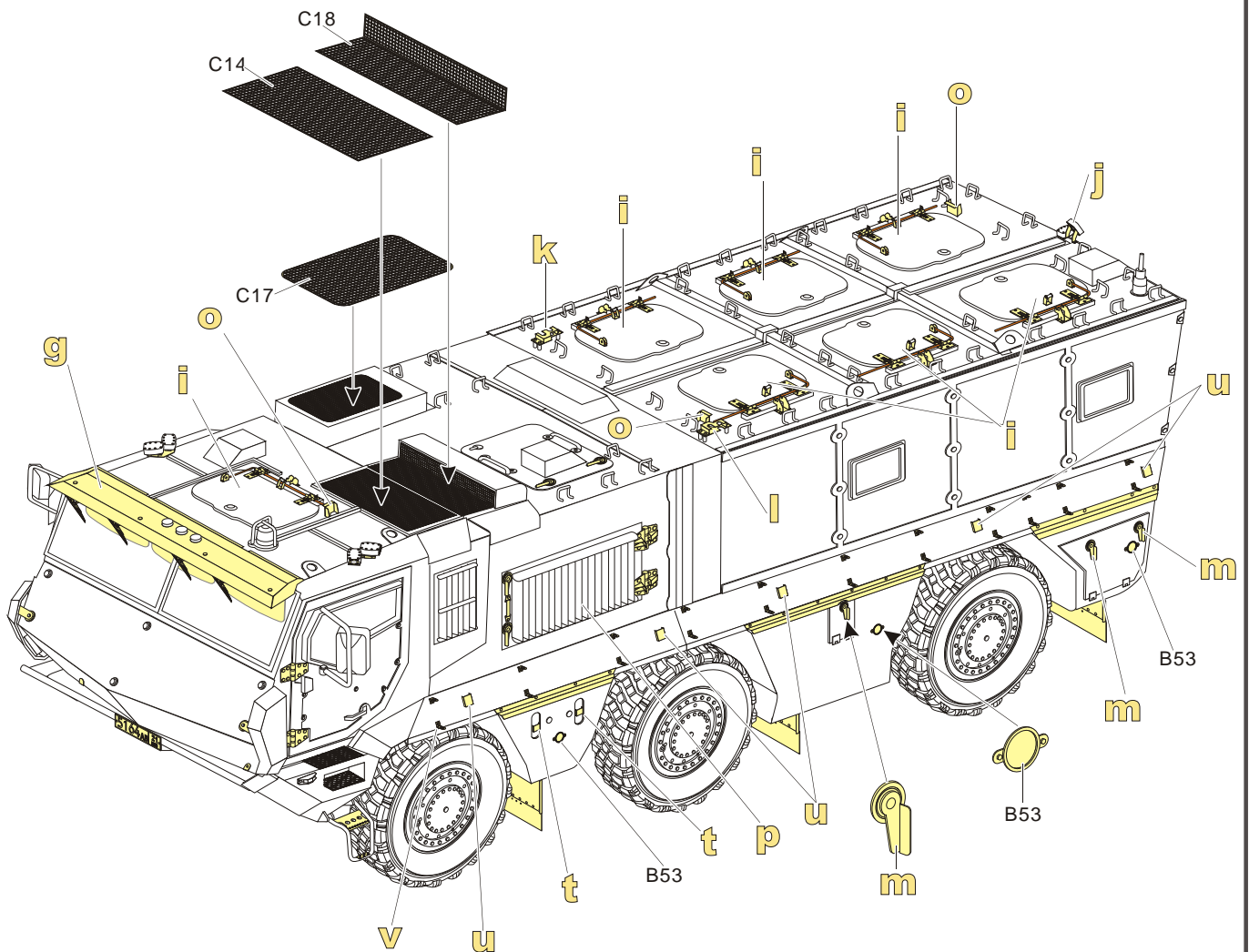
[Http://www.voyagermodel.com/productdetails.asp?itemid=PE351307](http://www.voyagermodel.com/productdetails.asp?itemid=PE351307)



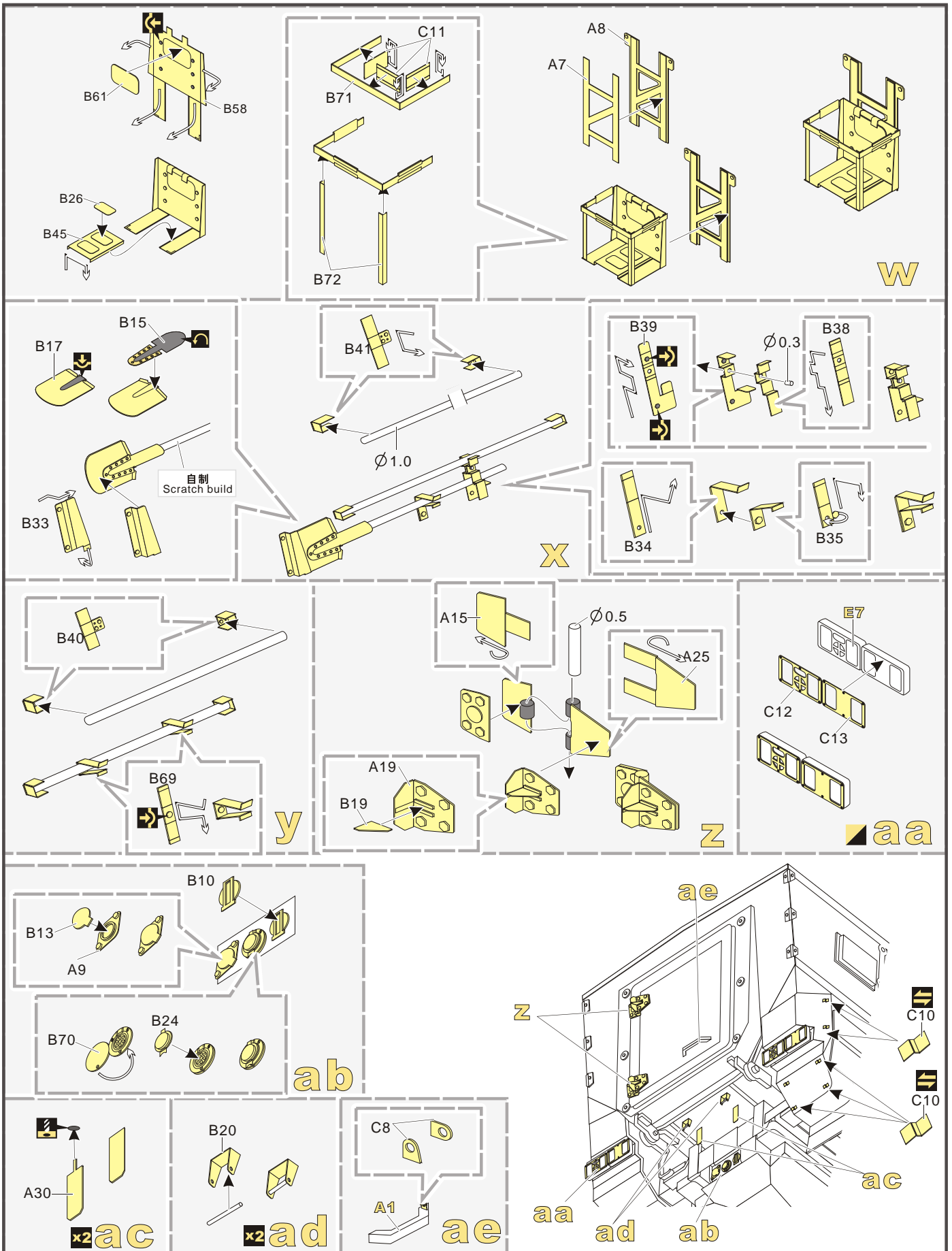
**VOYAGER
MODEL**



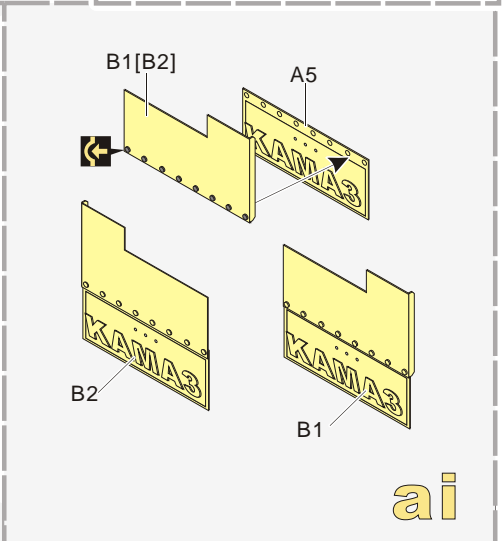
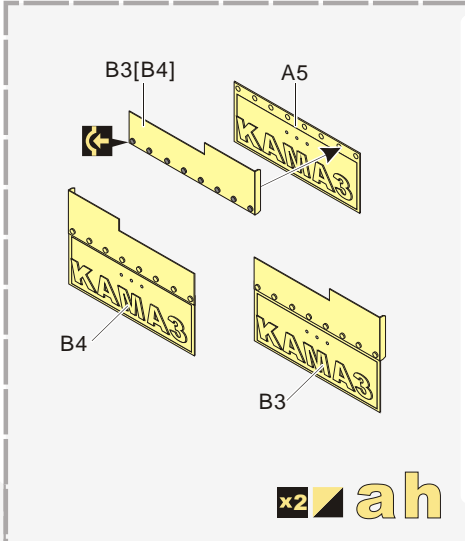
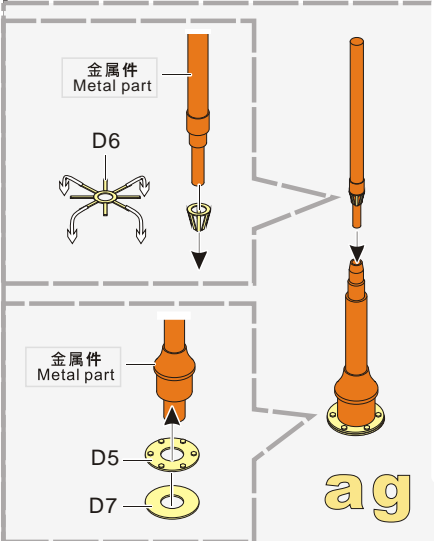
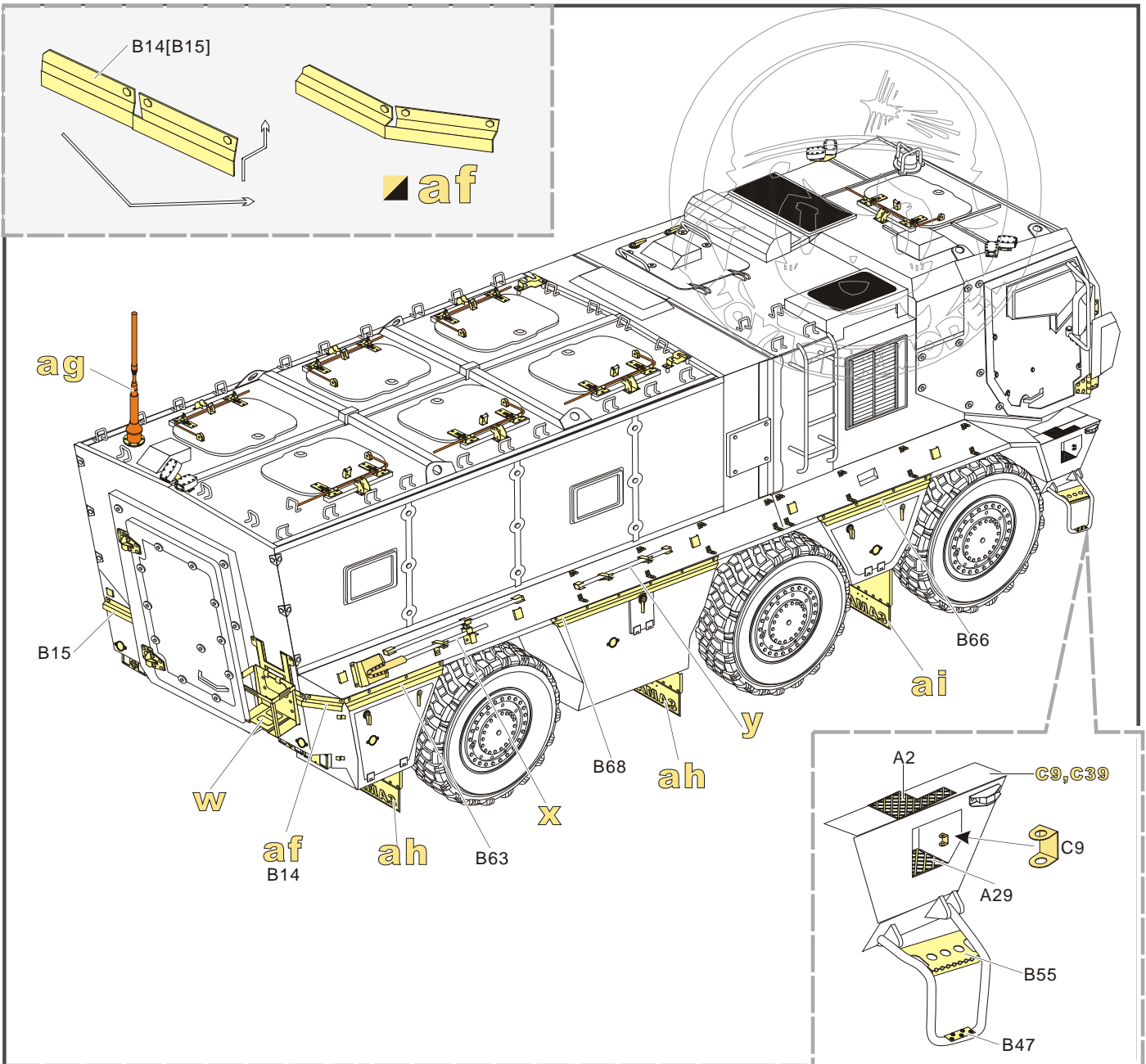
更多PE351307样品照片参考请扫一扫
MORE PICTUER OF PE 351307
REFERENCE SCAN HERE



1/35 MILITARY MINIATURE VEHICLE UPGRADE SERIES PE351307



1/35 MILITARY MINIATURE VEHICLE UPGRADE SERIES PE351307



1/35 MILITARY MINIATURE VEHICLE UPGRADE SERIES PE351307

