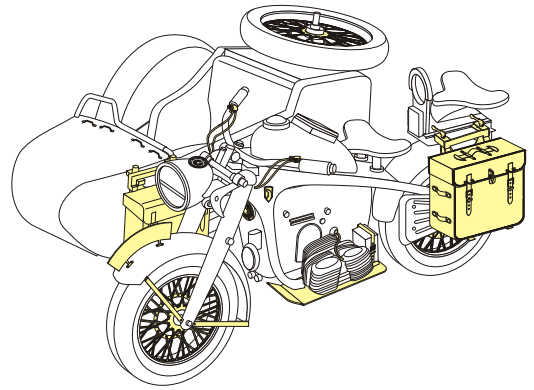


1/35 MILITARY MINIATURE VEHICLE UPGRADE SERIES PE351309

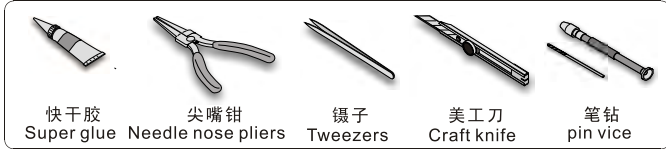
WWII German Zundapp Moto KS600 Upgrade Set










二战德军尊达普KS600 摩托车改造件


[For TAMIYA 35384]



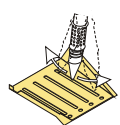
推荐使用工具 RECOMMENDED TOOLS

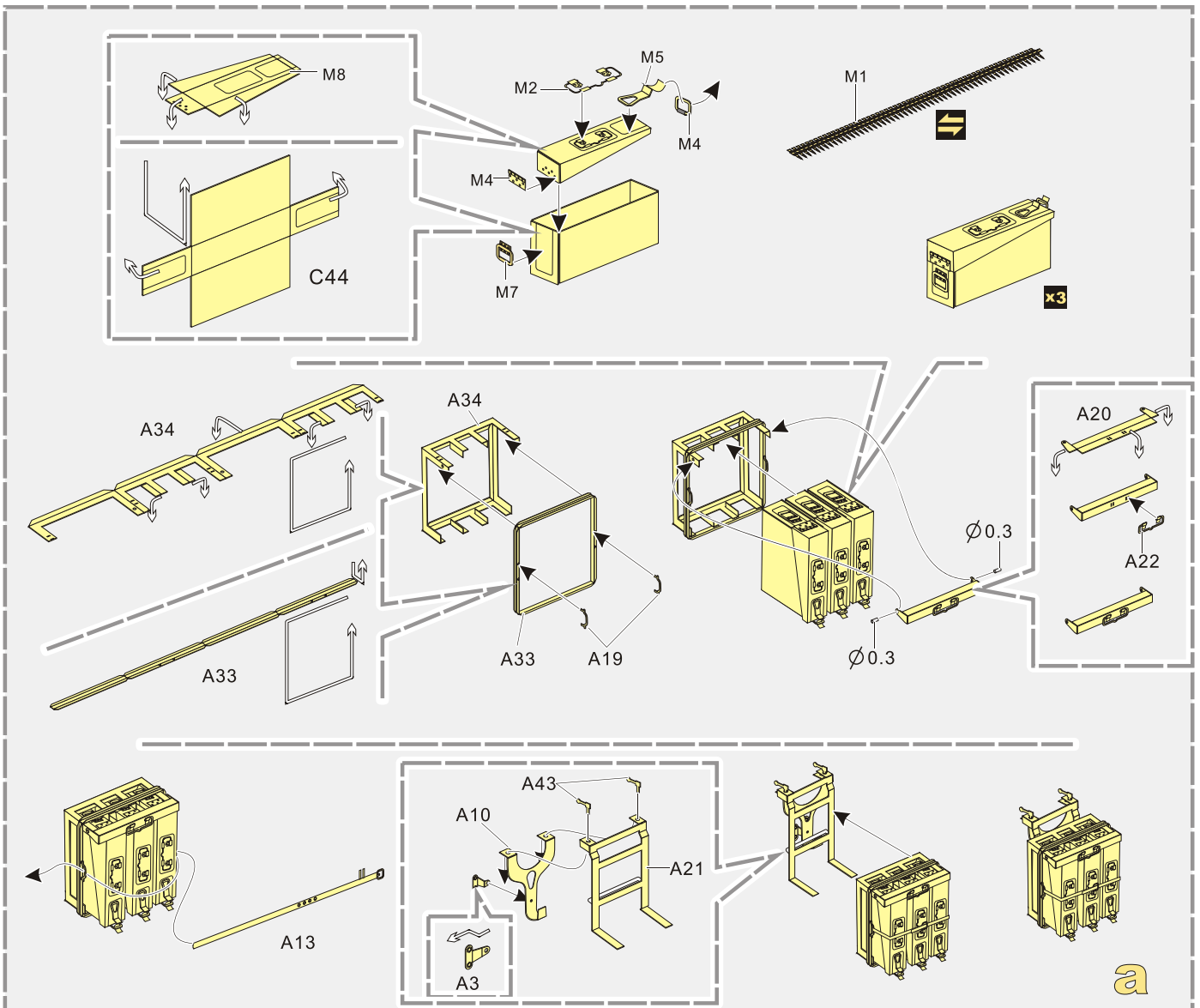


- 
 安装
install
- 
 折叠
bend
- A1**
 改造件零件编号
PE/resin part number
- B12**
 原零件编号
kit part number
- C22**
 被替换的原零件编号
replaced kit part number
- 
 另一侧相同制作
repeat on opposite side
- 
 切除
remove
- 
 打磨
grind off
- 
 弧度卷曲
radial bending
- x2**
 制作若干组
multiple assembly
- 
 选择安装
alternative
- 
 钻孔
drill
- 
 用胶棒制作
make from plastic rod

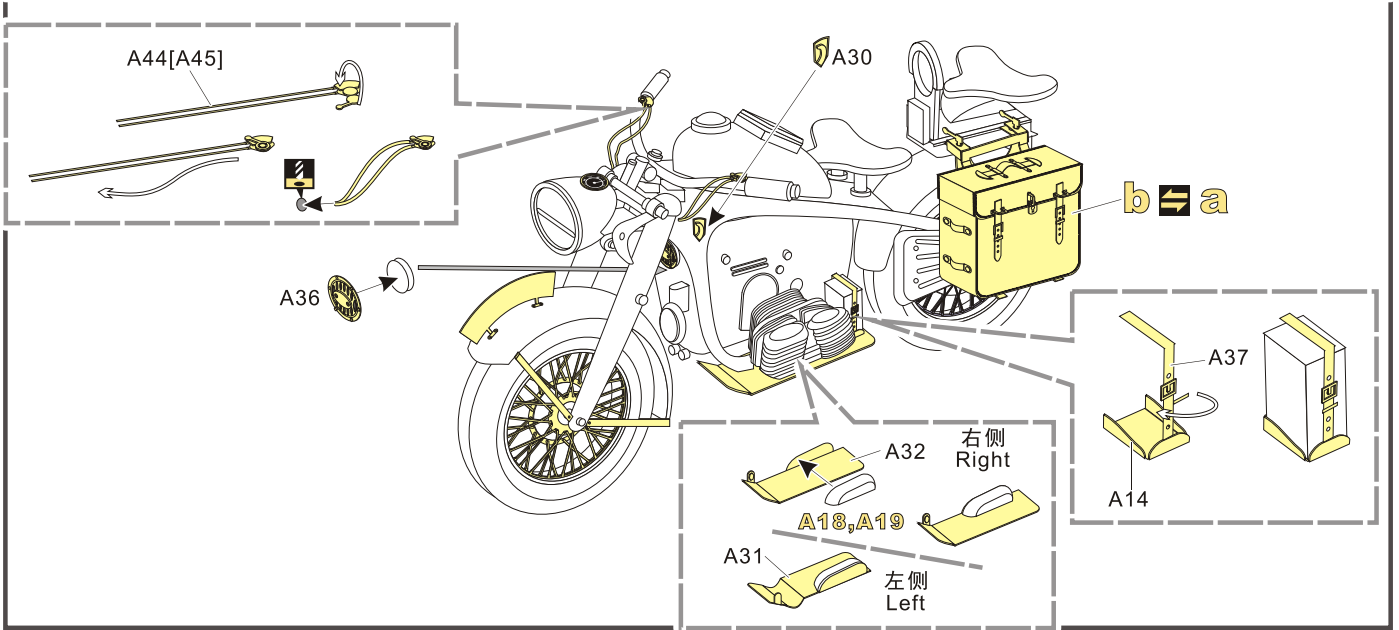
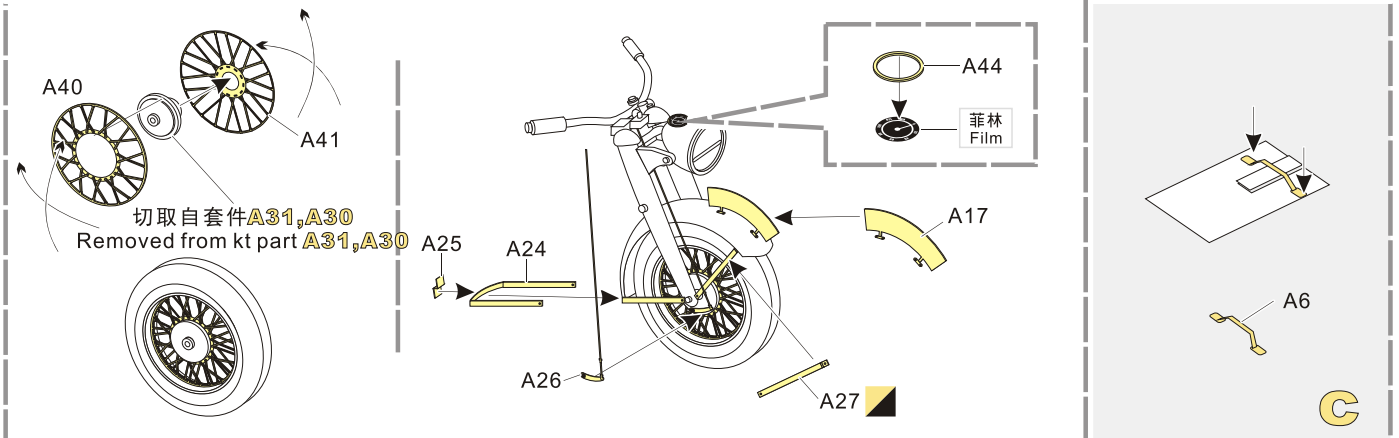
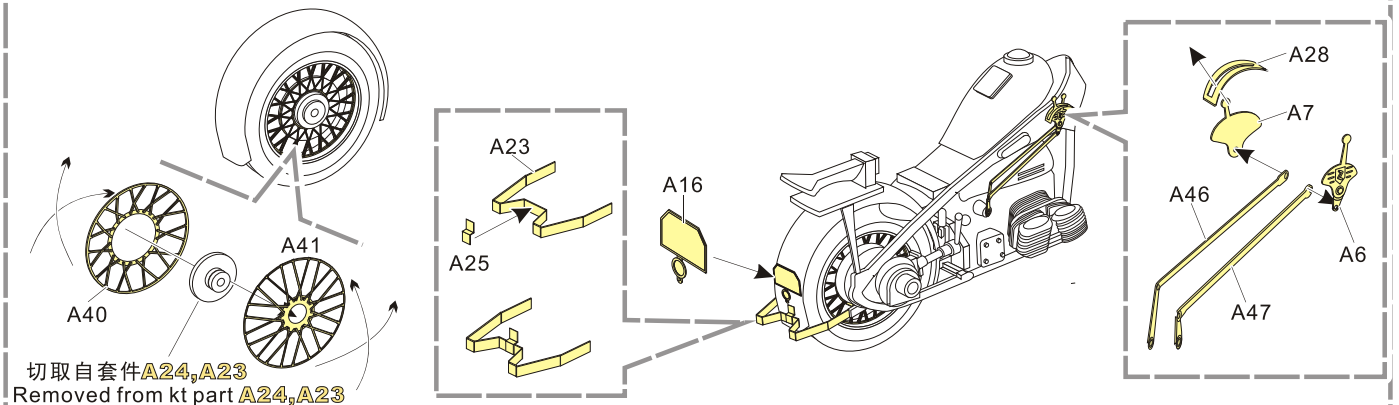
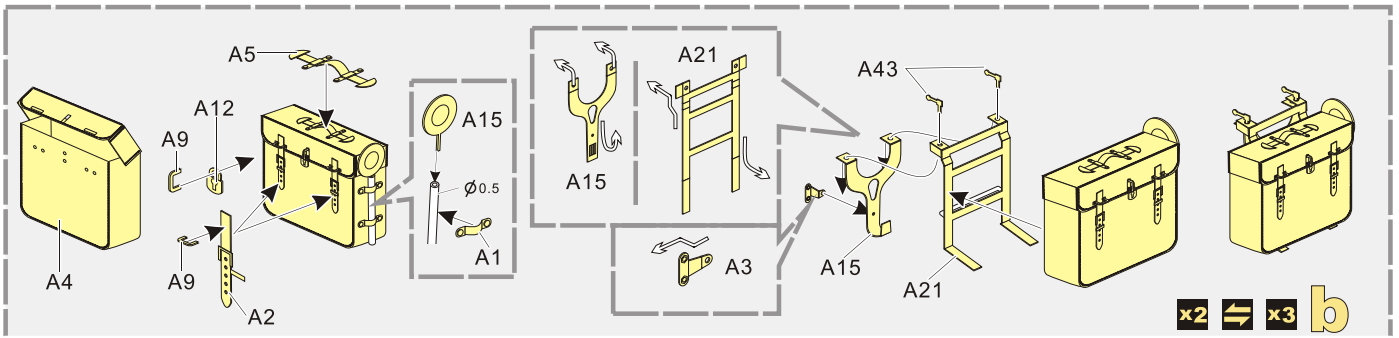
 用尖端在凹槽处冲压
use penpoint to press on the dent

蚀刻片零件内面向上
Put the part upside down
 用笔尖在凹槽处刺
Use penpoint to press on the dent

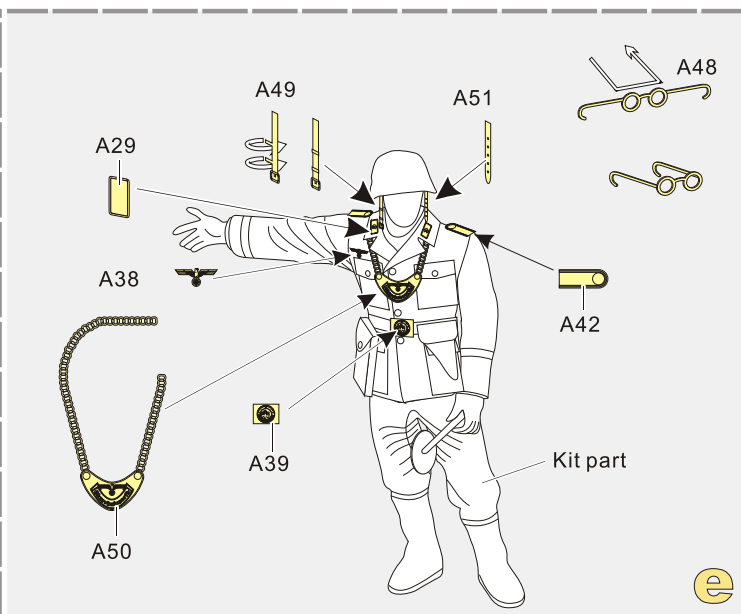
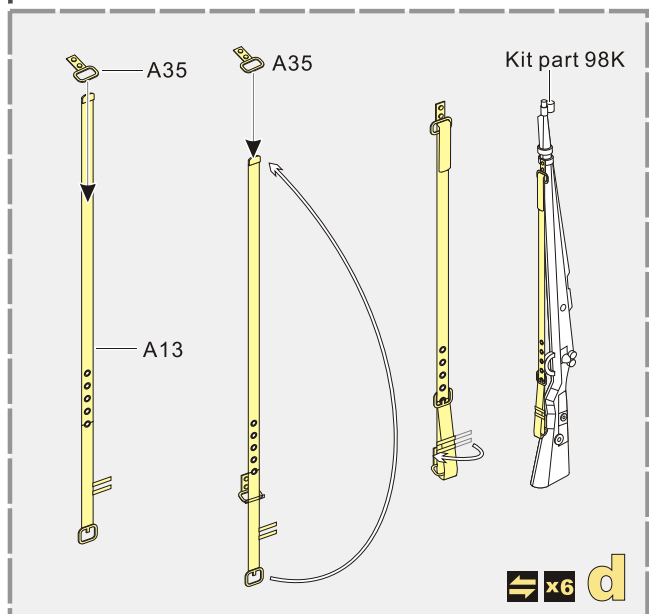
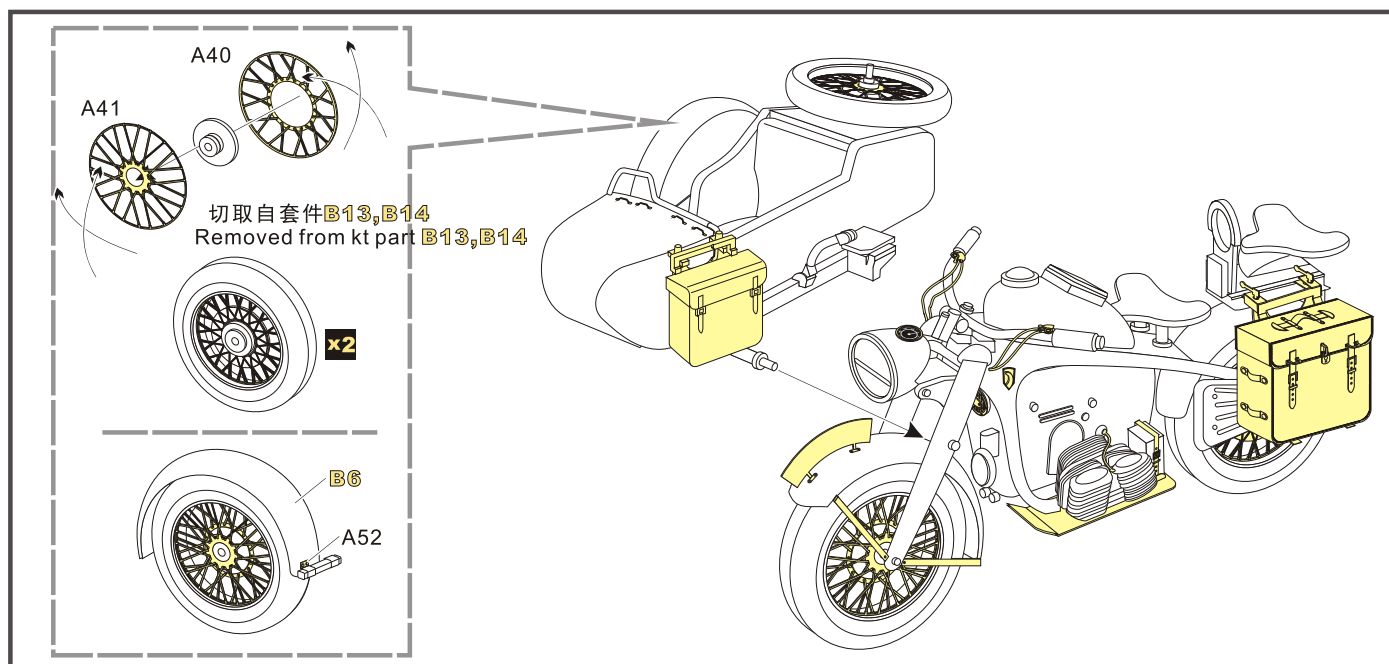




1/35 MILITARY MINIATURE VEHICLE UPGRADE SERIES PE351309



1/35 MILITARY MINIATURE VEHICLE UPGRADE SERIES PE351309



[Http://www.voyagermodel.com/productdetails.asp?itemid=PE351309](http://www.voyagermodel.com/productdetails.asp?itemid=PE351309)



**VOYAGER
MODEL**



更多PE351309样品照片参考请扫一扫
MORE PICTUER OF PE 351309
REFERENCE SCAN HERE

