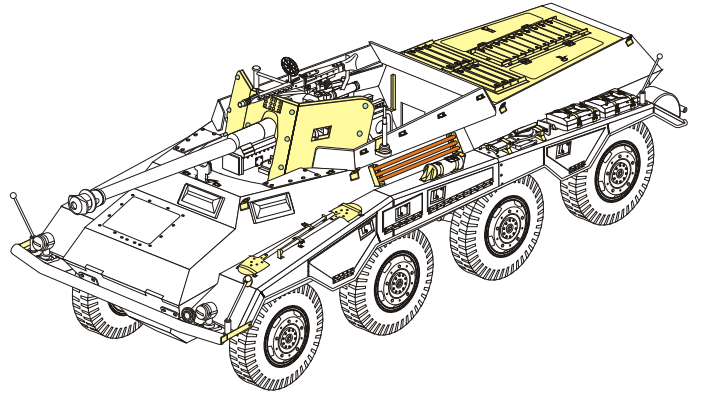


1/35 MILITARY MINIATURE VEHICLE UPGRADE SERIES PE351336

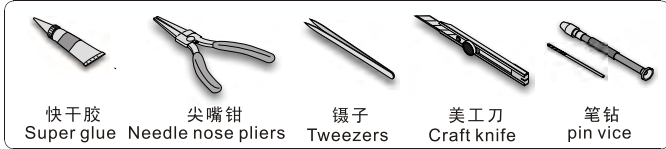
# WWII German Sd.Kfz 234/4










## 二战德军234/4装甲车改造件


[For DRAGON 6221]



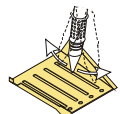
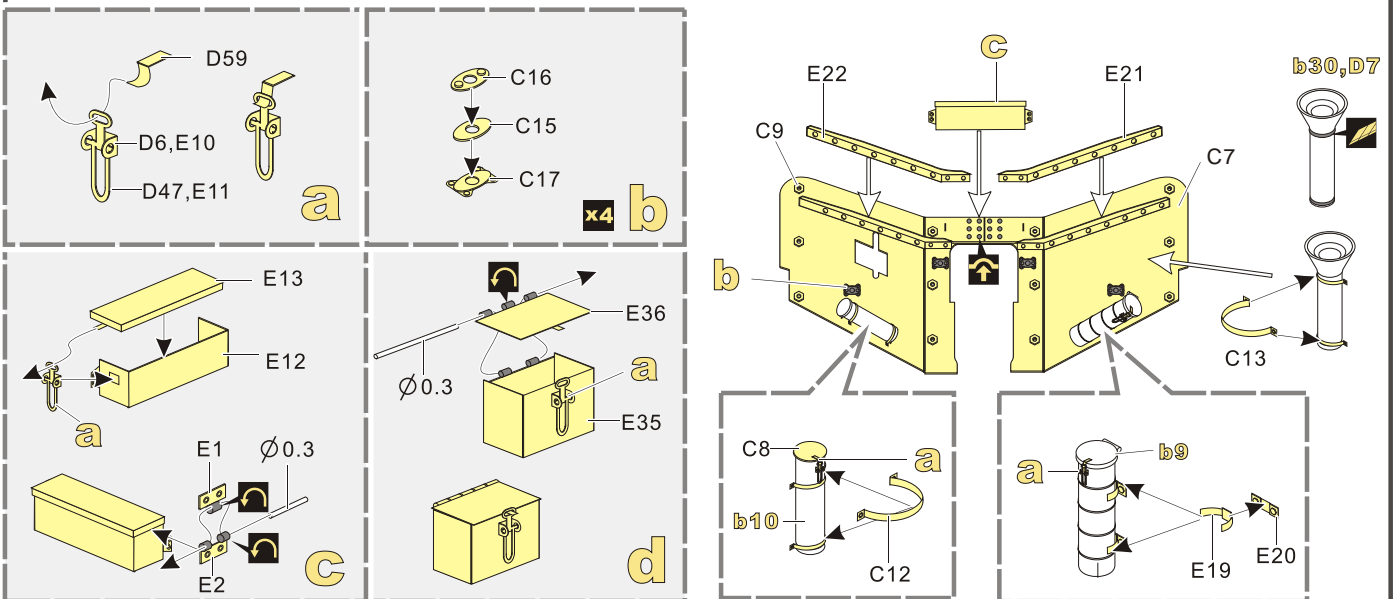
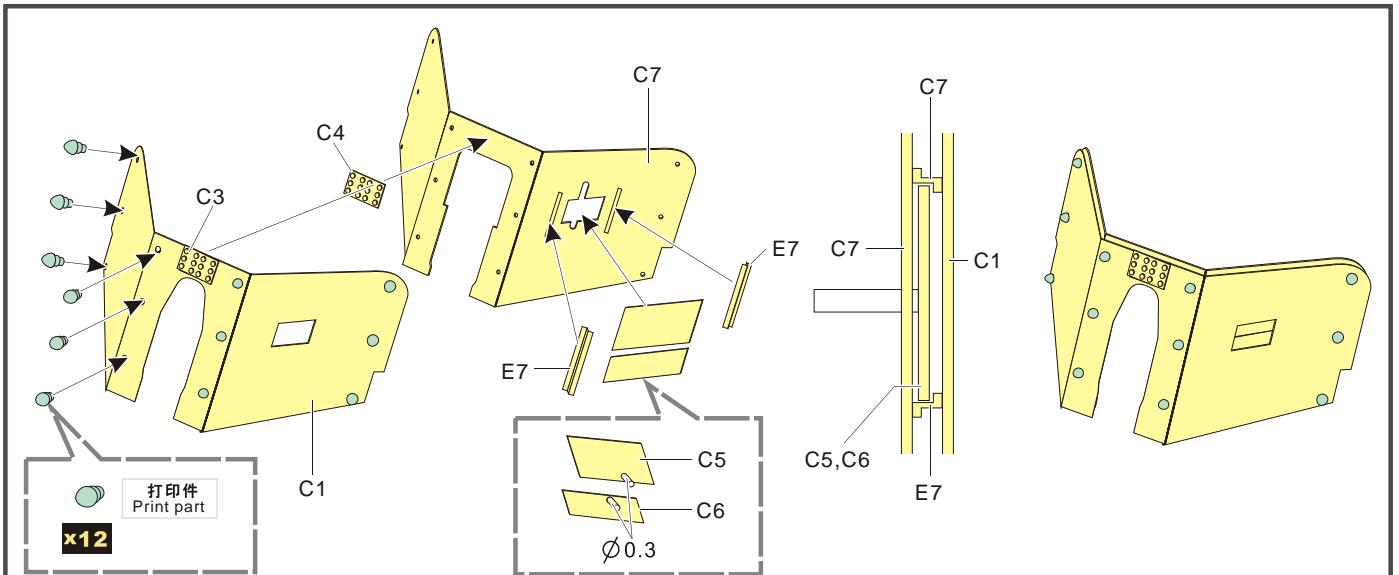
### 推荐使用工具 RECOMMENDED TOOLS



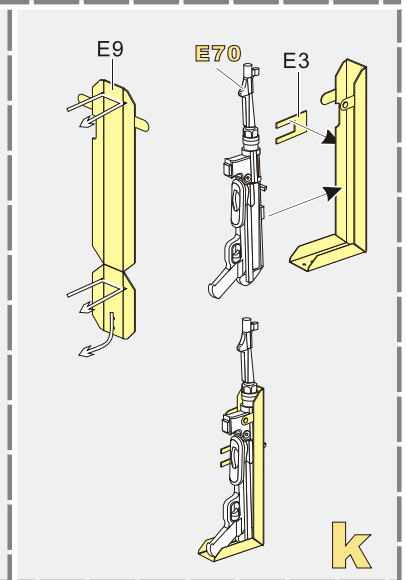
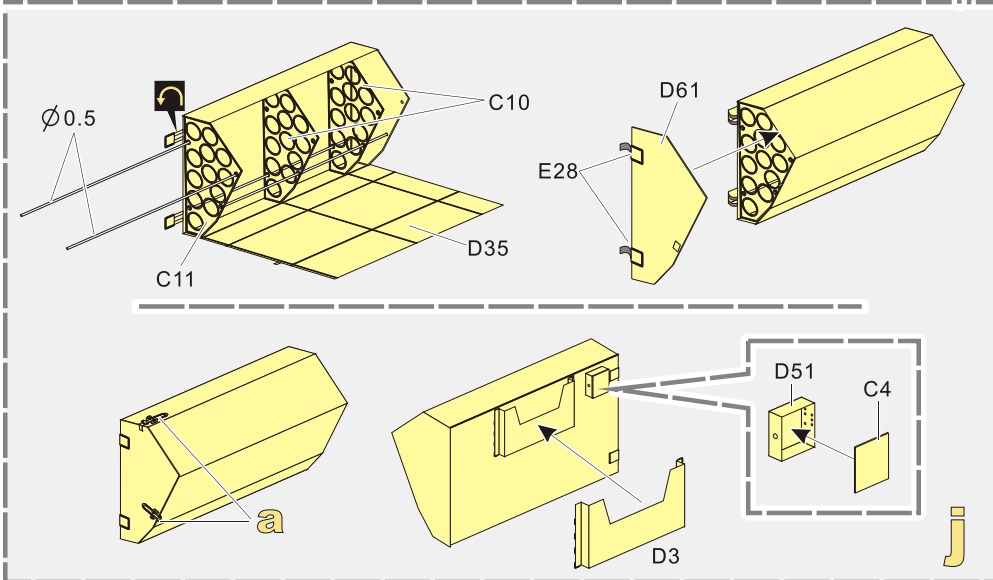
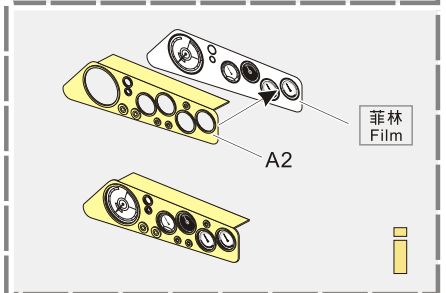
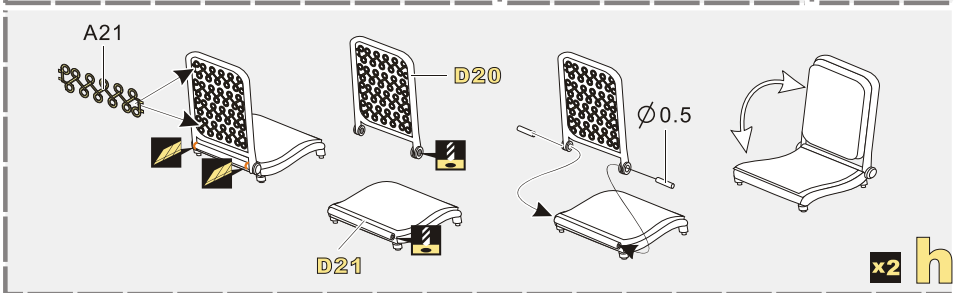
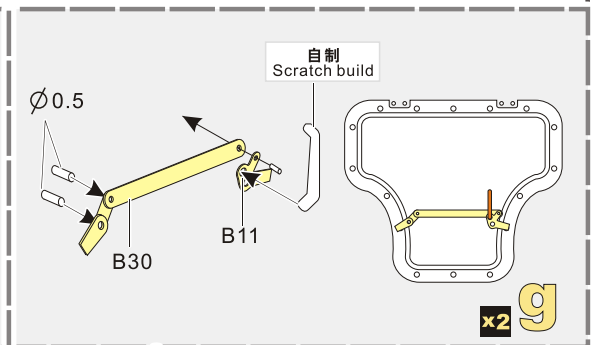
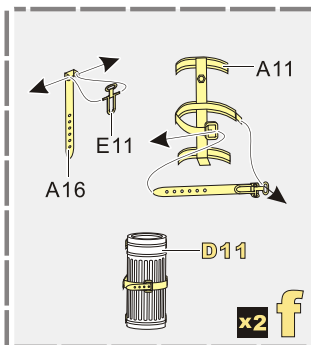
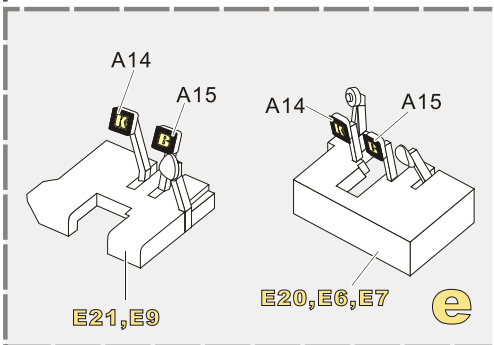
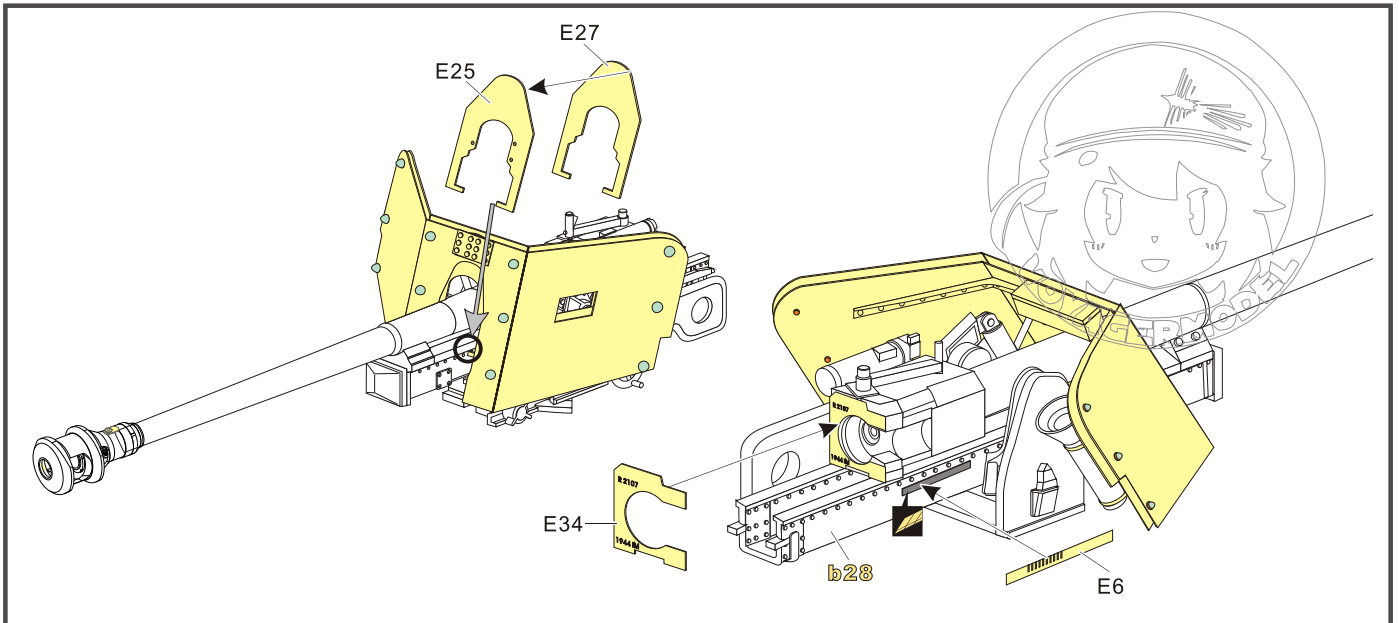
-   
**安装**  
install
-   
**折叠**  
bend
- A1**  
 改造件零件编号  
PE/resin part number
- B12**  
 原零件编号  
kit part number
- C22**  
 被替换的原零件编号  
replaced kit part number
-   
 另一侧相同制作  
repeat on opposite side
-   
**切除**  
remove
-   
**打磨**  
grind off
-   
**弧度卷曲**  
radial bending
- x2**  
 制作若干组  
multiple assembly
-   
**选择安装**  
alternative
-   
**钻孔**  
drill
-   
**用胶棒制作**  
make from plastic rod

  
 用尖端在凹槽处冲压  
use penpoint to press on the dent

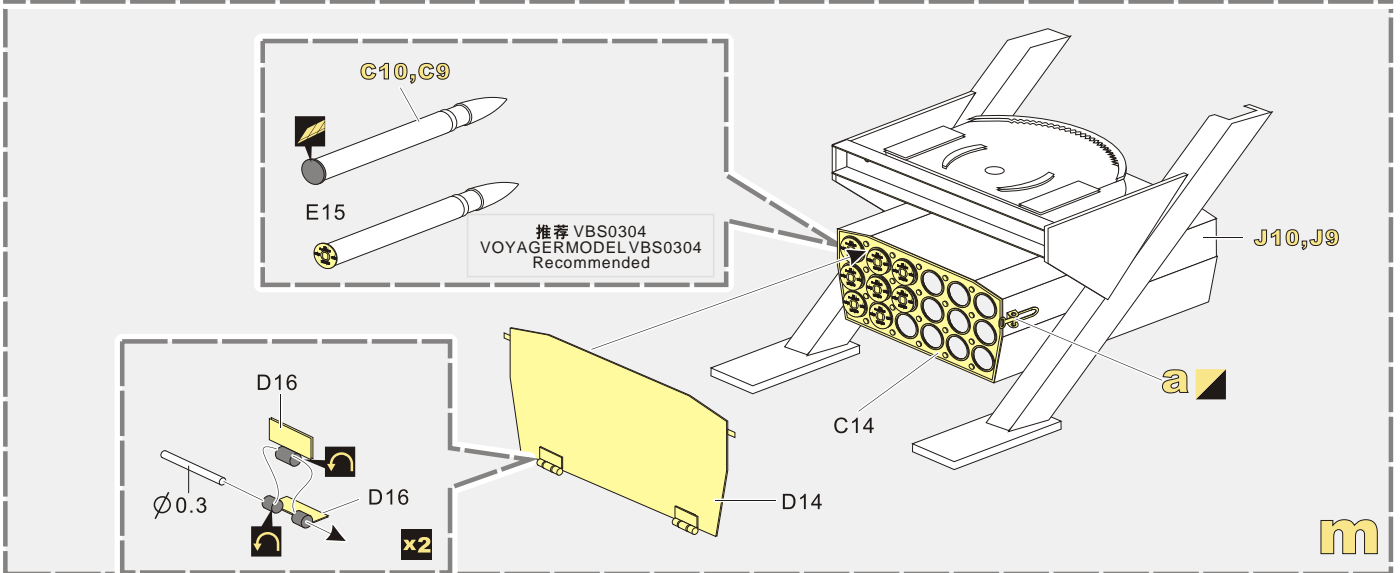
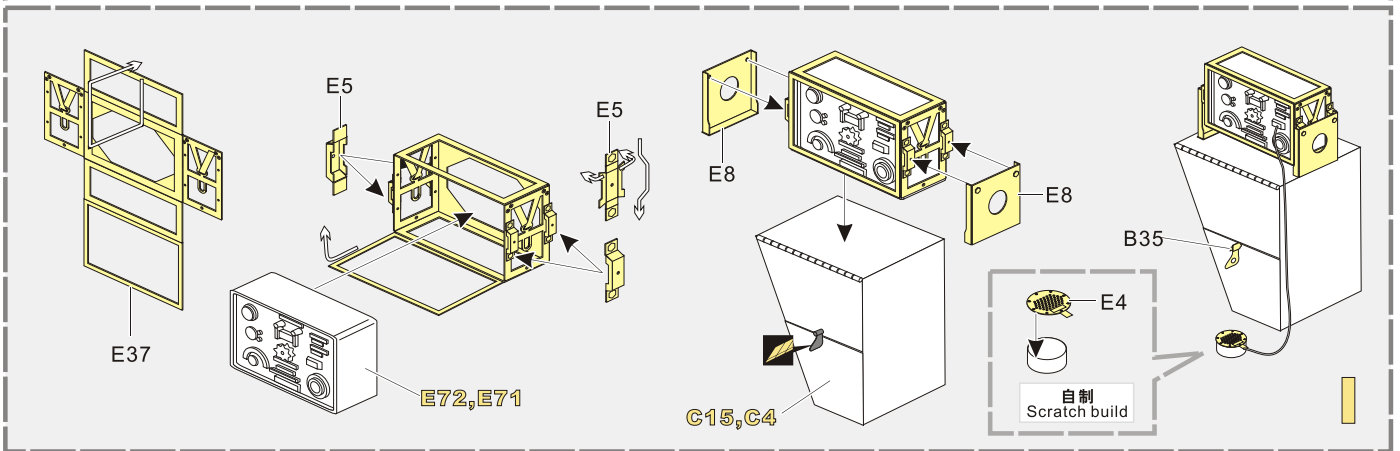
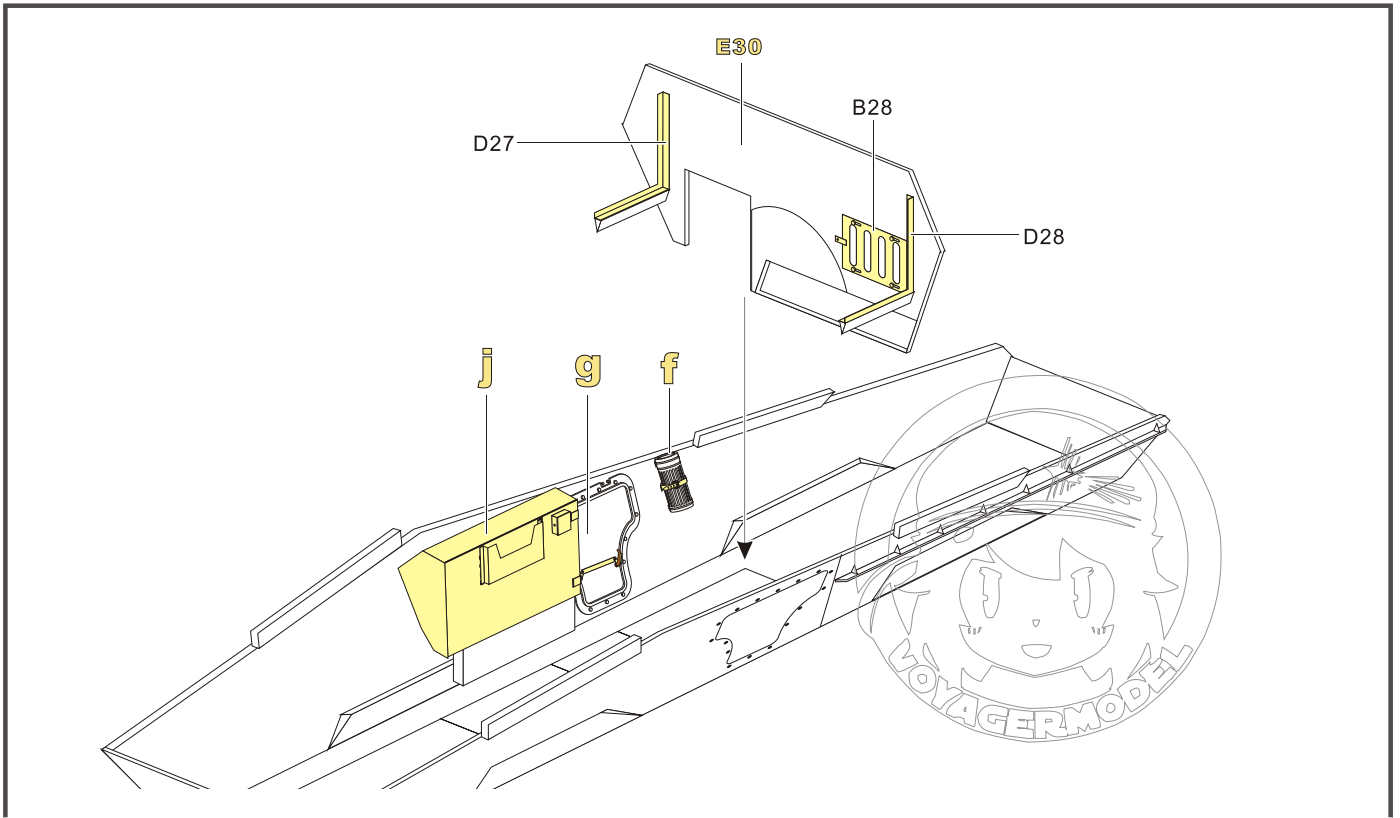
蚀刻片零件内侧面向上  
Put the part upside down  
 用笔尖在凹槽处刺  
Use penpoint to press on the dent

1/35 MILITARY MINIATURE VEHICLE UPGRADE SERIES PE351336



1/35 MILITARY MINIATURE VEHICLE UPGRADE SERIES PE351336



1/35 MILITARY MINIATURE VEHICLE UPGRADE SERIES PE351336

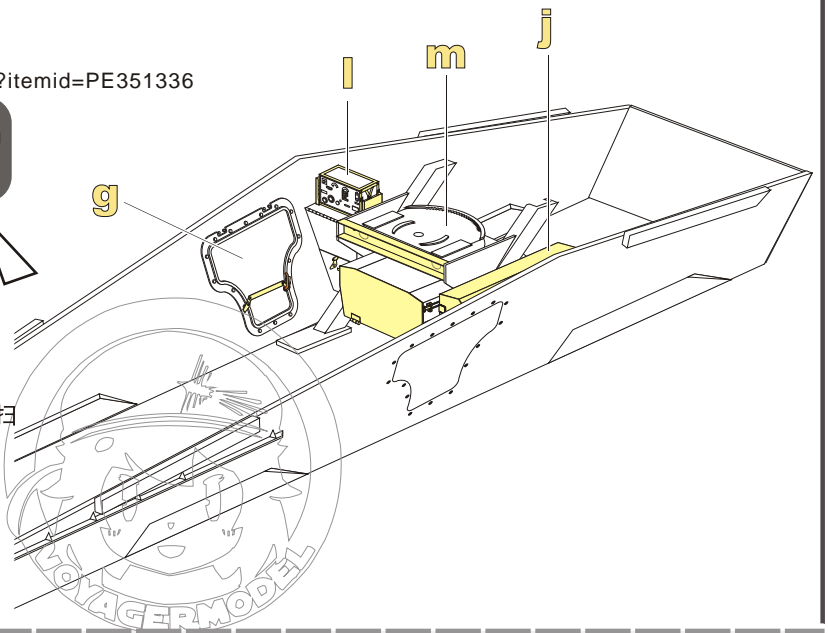
[Http://www.voyagermodel.com/productdetails.asp?itemid=PE351336](http://www.voyagermodel.com/productdetails.asp?itemid=PE351336)



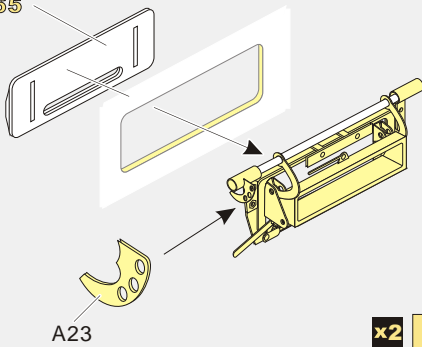
**VOYAGER  
MODEL**



更多PE351336样品照片参考请扫一扫  
MORE PICTUER OF PE 351336  
REFERENCE SCAN HERE

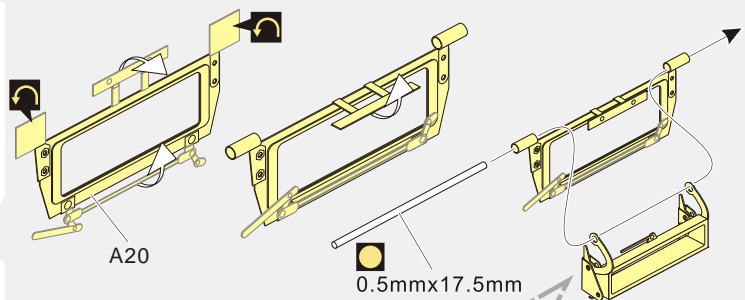


E65



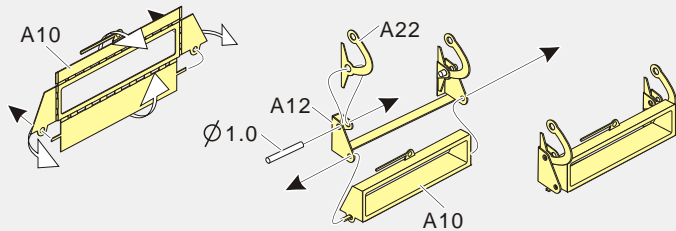
A23

x2 **h**



A20

0.5mmx17.5mm



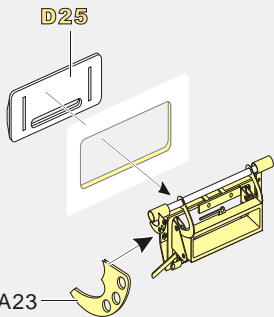
A10

Ø1.0

A22

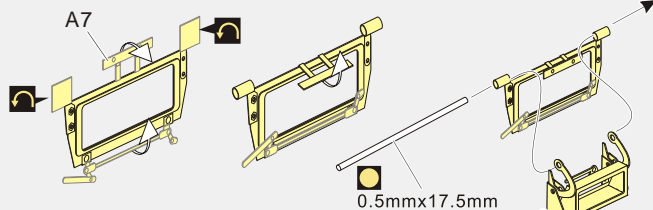
A10

D25



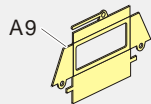
A23

x3 **o**



A7

0.5mmx17.5mm

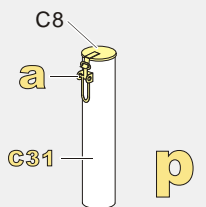


A9

A8

0.5mmx17.5mm

A22

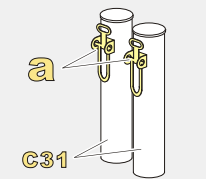


C8

a

C31

**p**

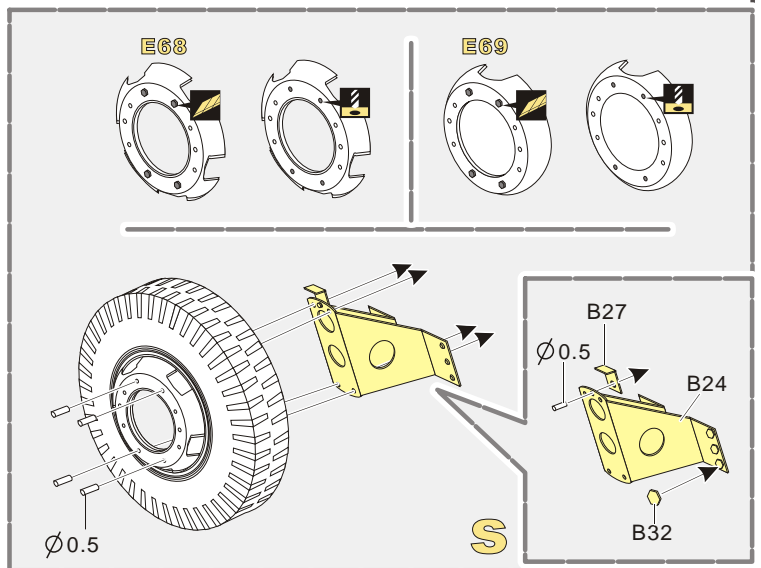
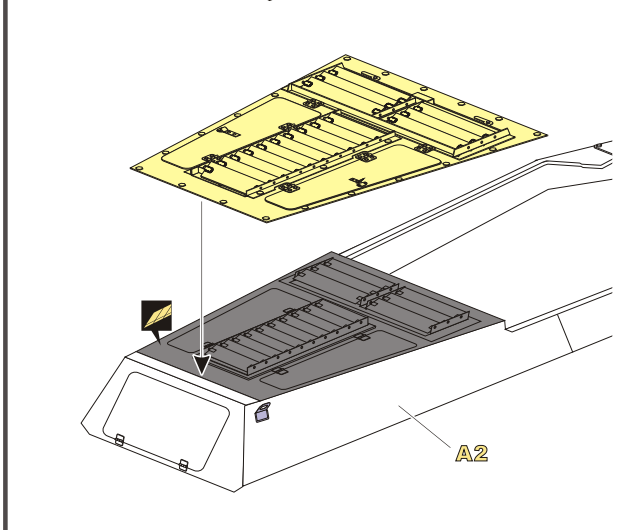
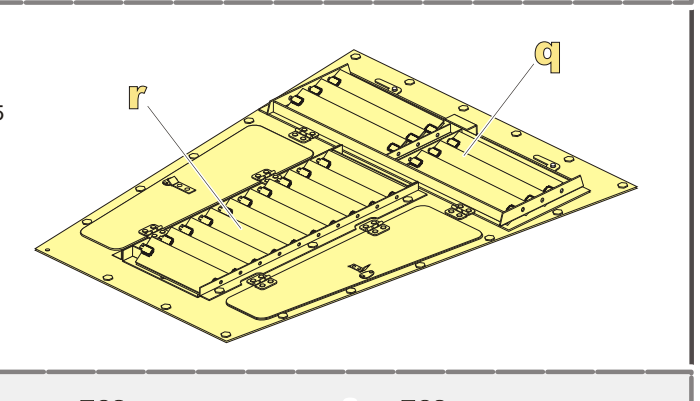
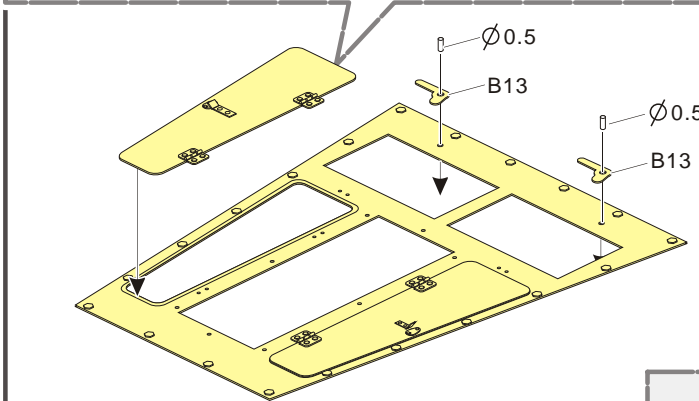
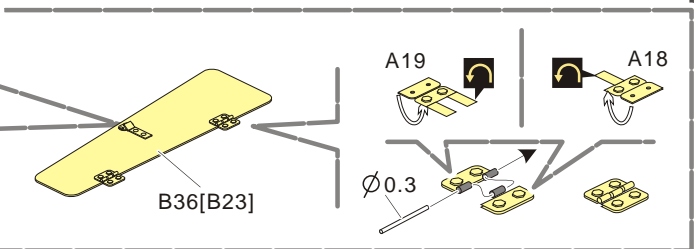
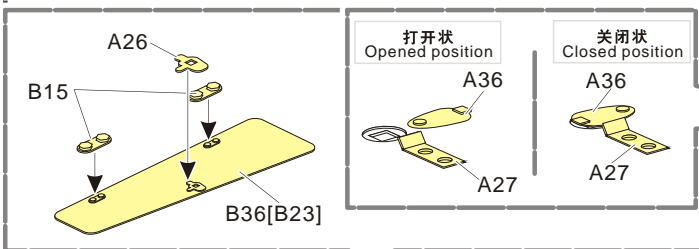
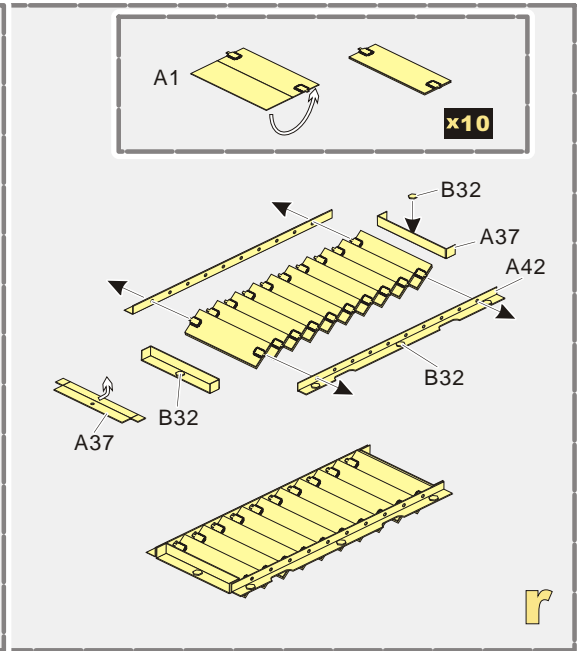
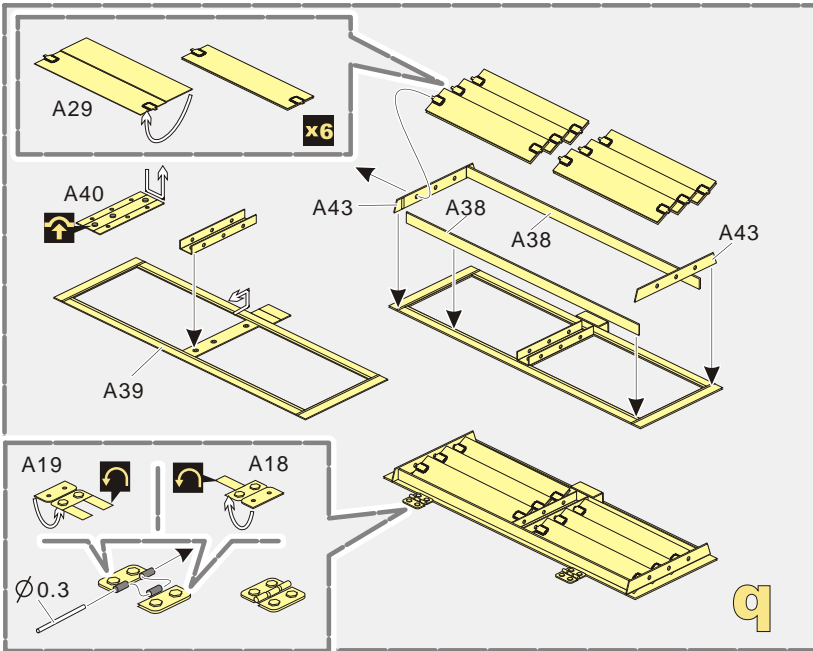


a

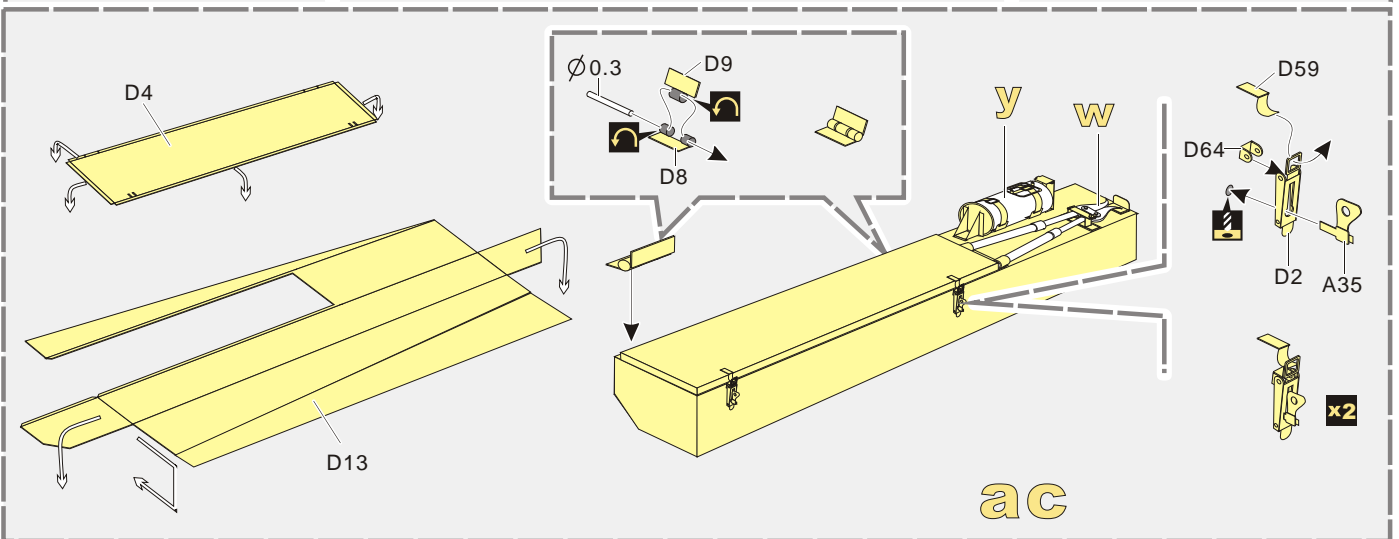
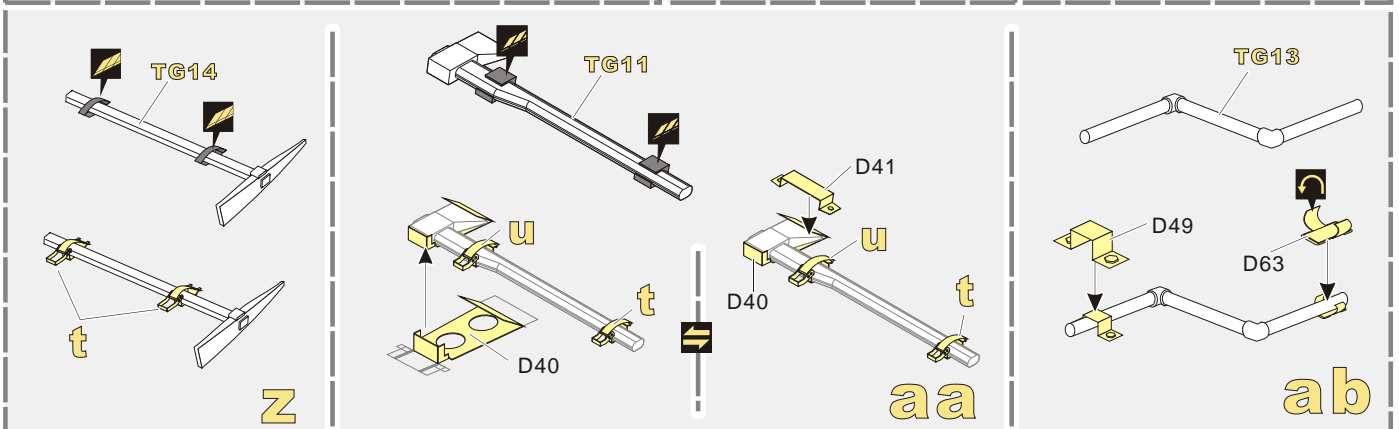
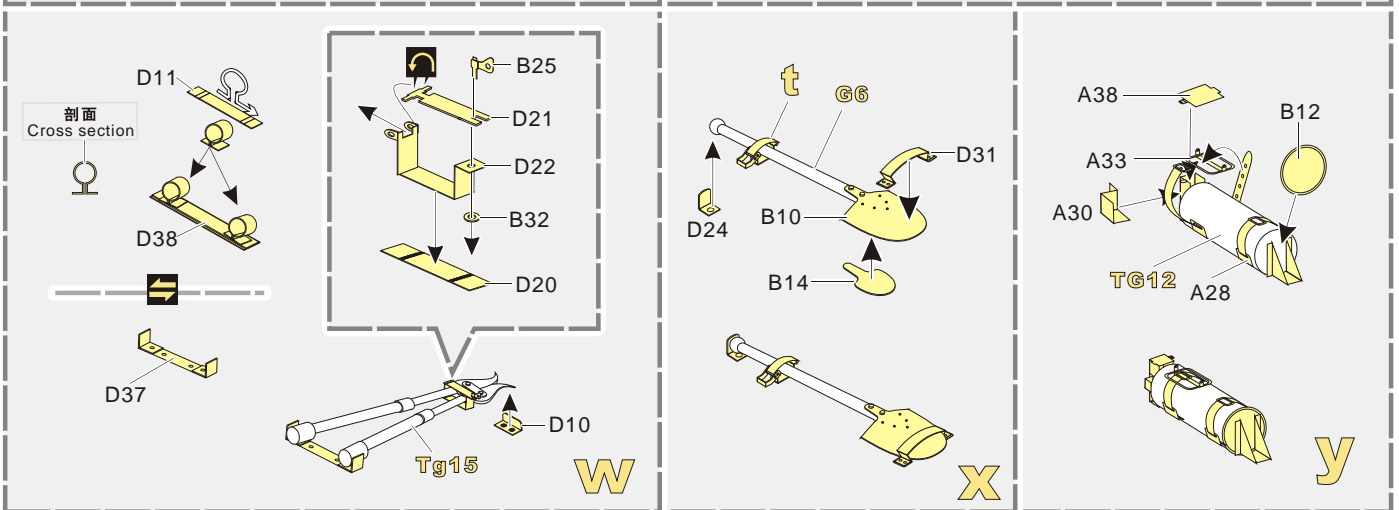
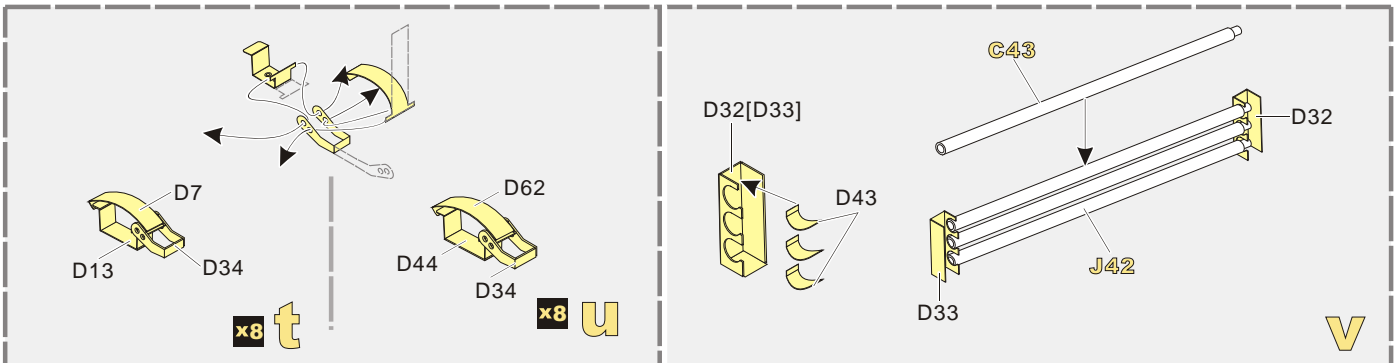
C31

**an**

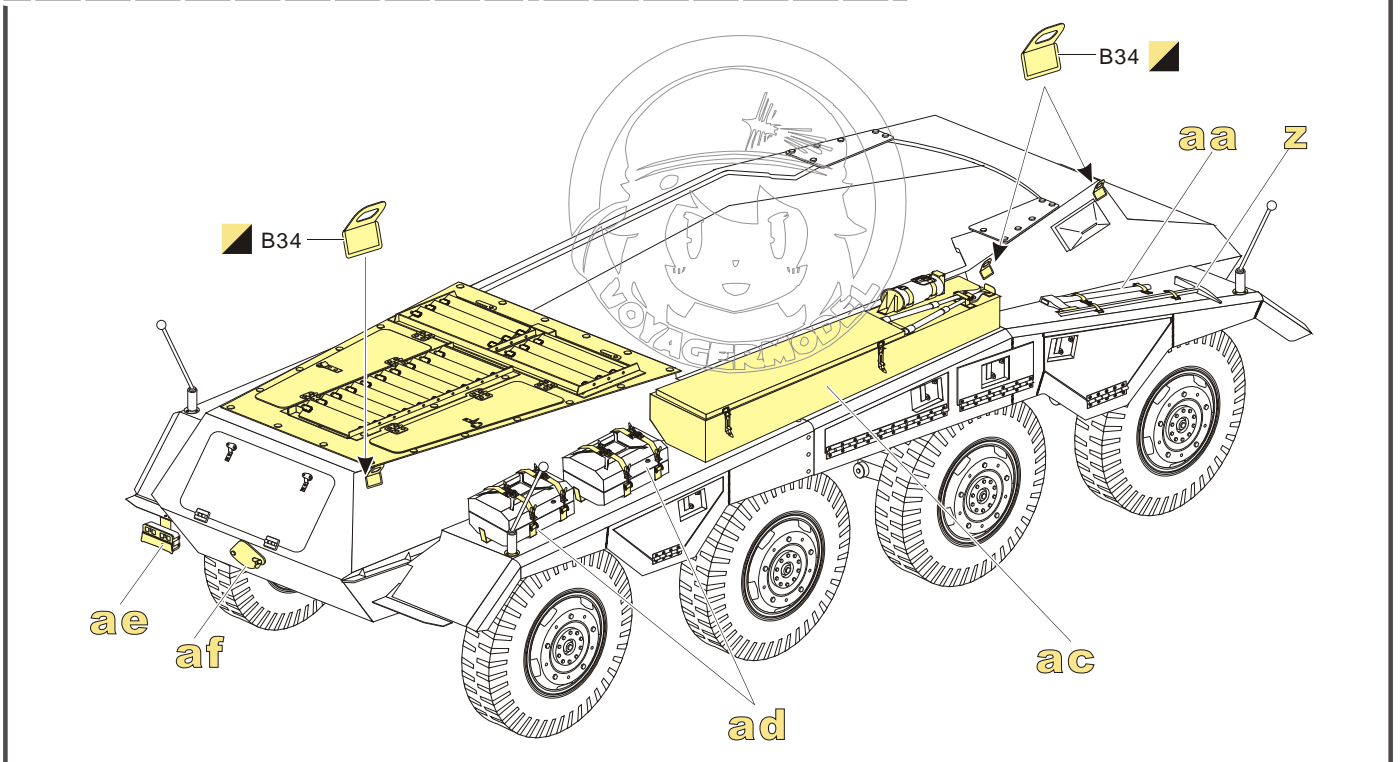
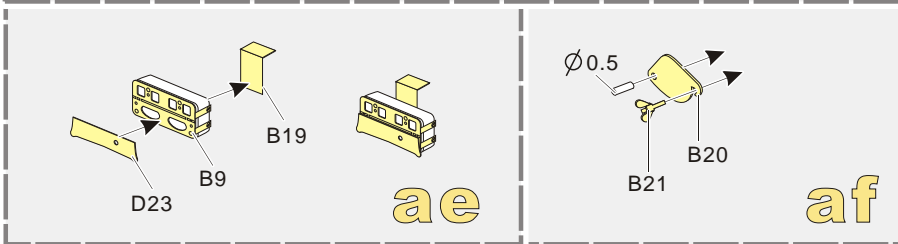
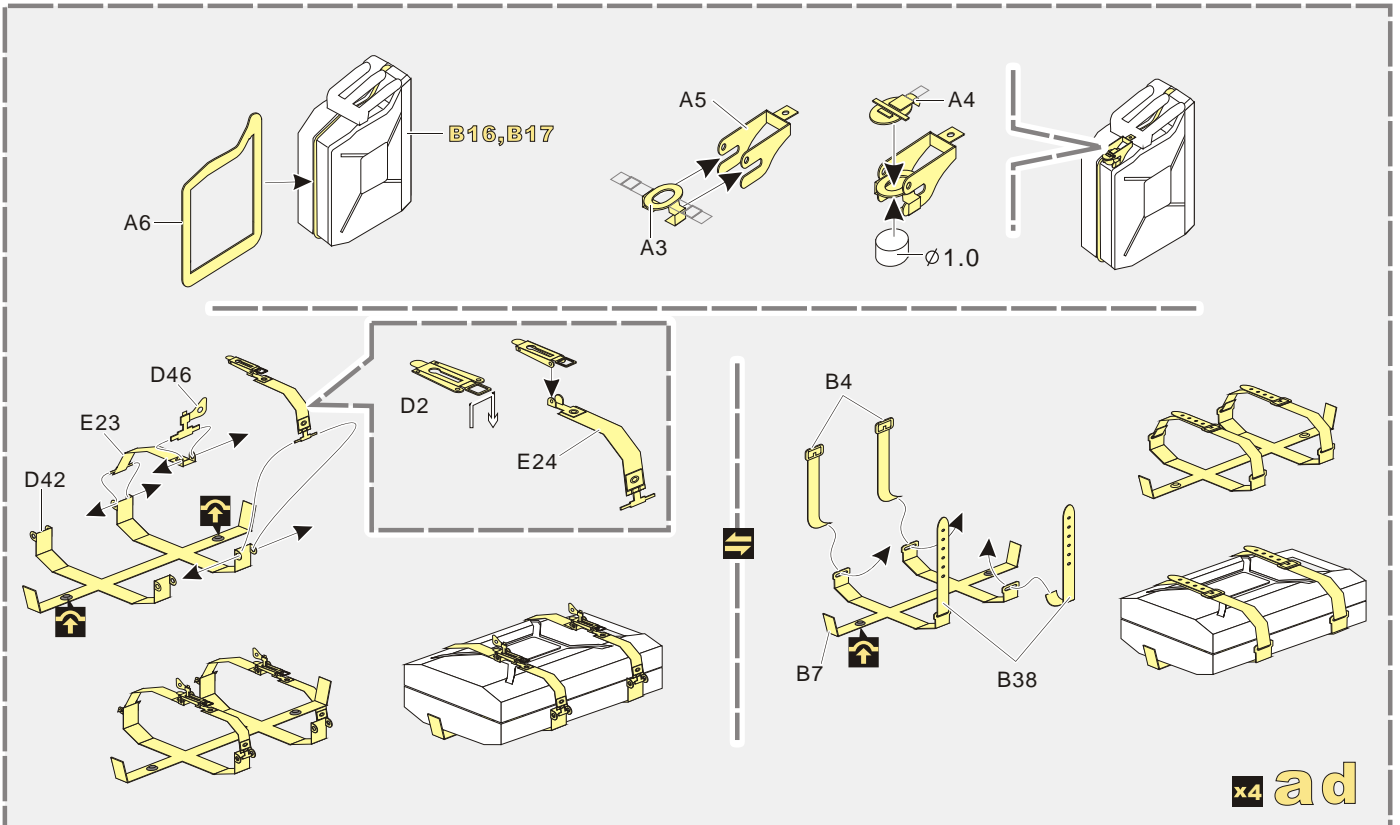
1/35 MILITARY MINIATURE VEHICLE UPGRADE SERIES PE351336



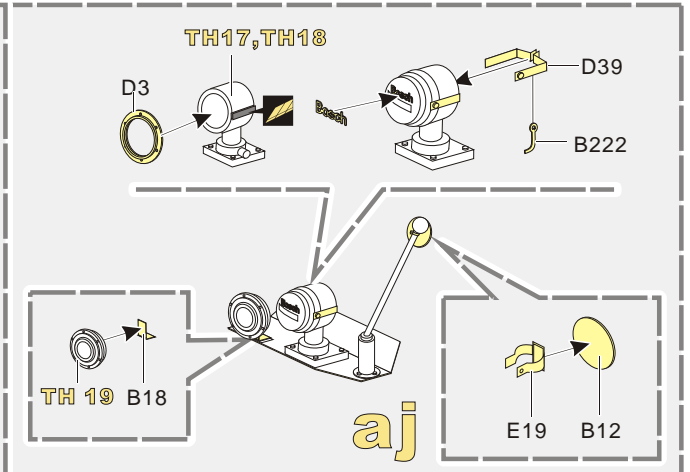
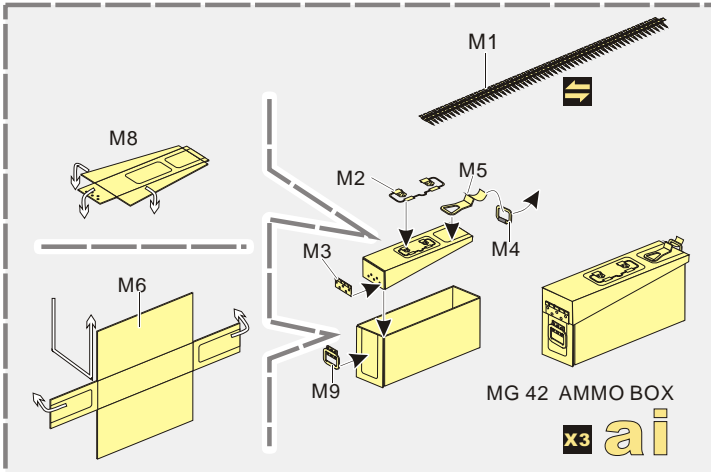
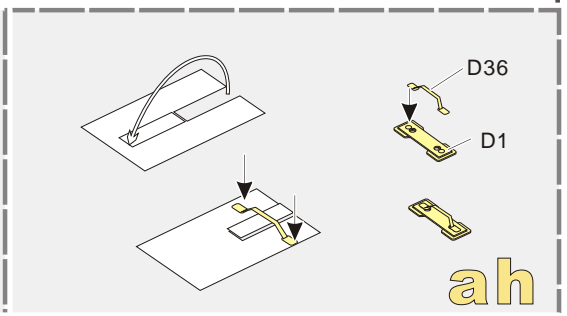
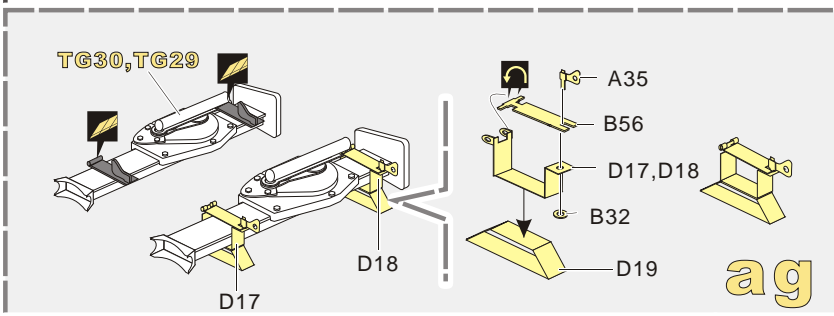
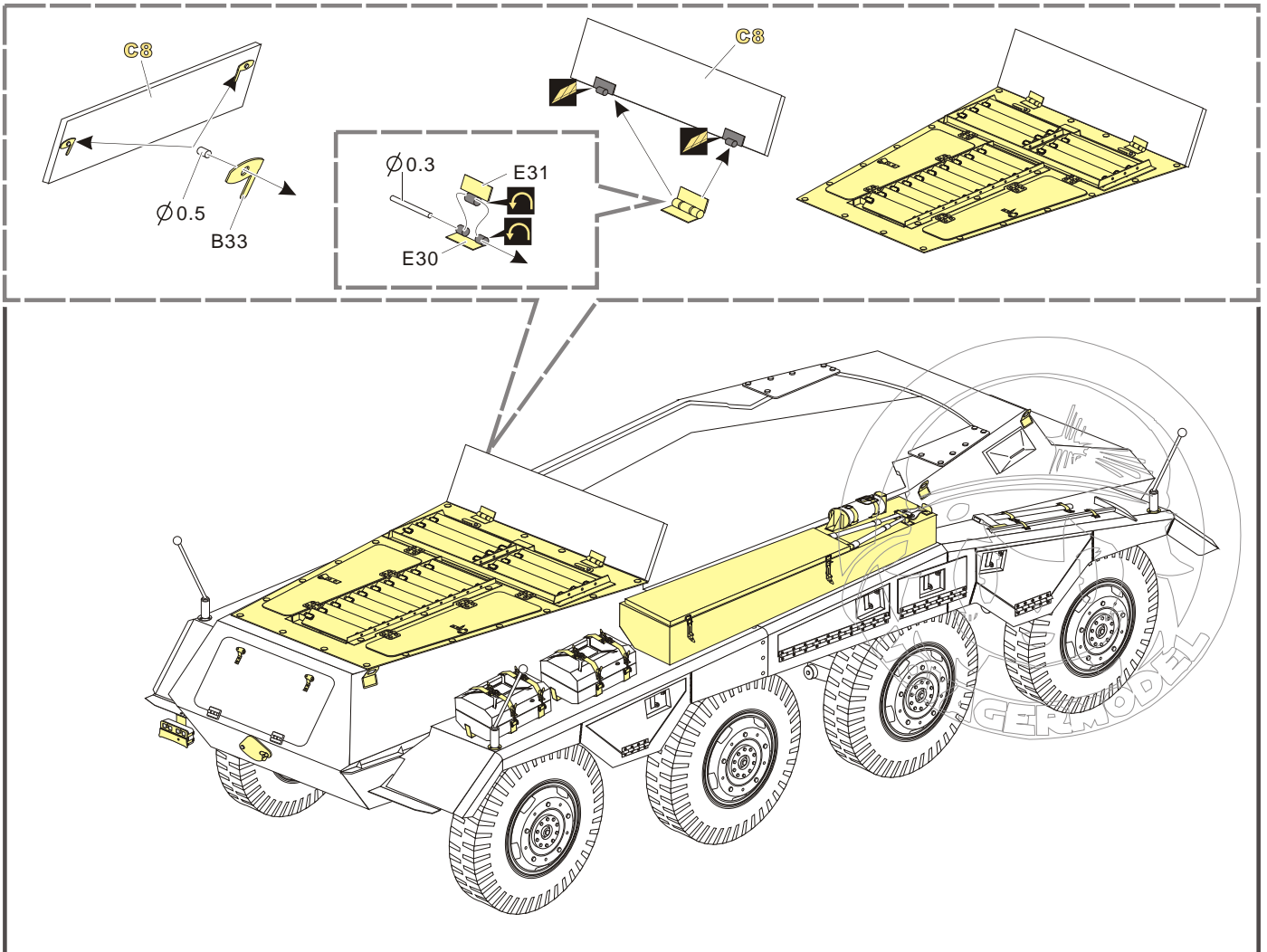
1/35 MILITARY MINIATURE VEHICLE UPGRADE SERIES PE351336



1/35 MILITARY MINIATURE VEHICLE UPGRADE SERIES PE351336

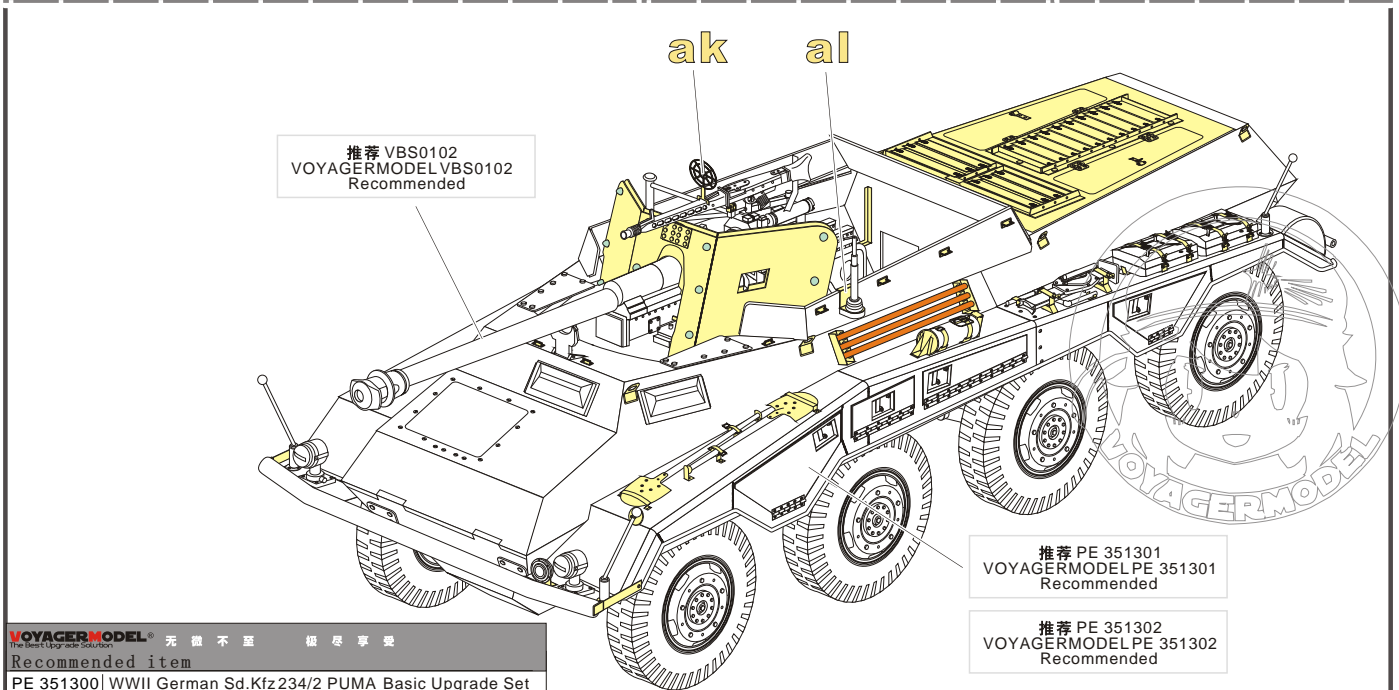
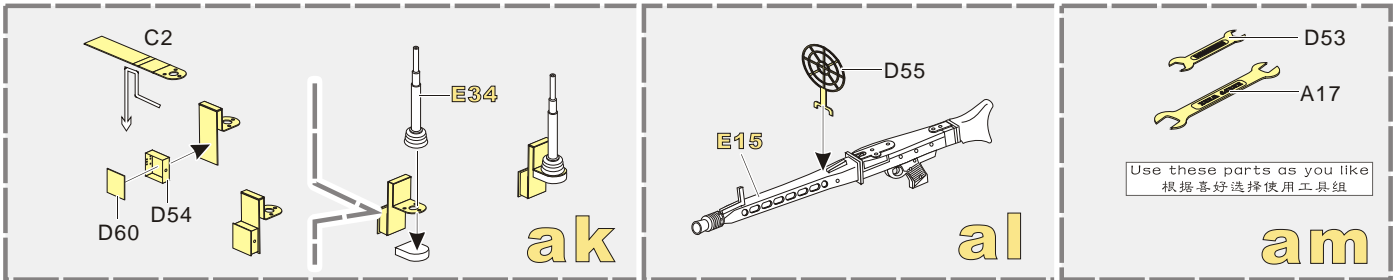
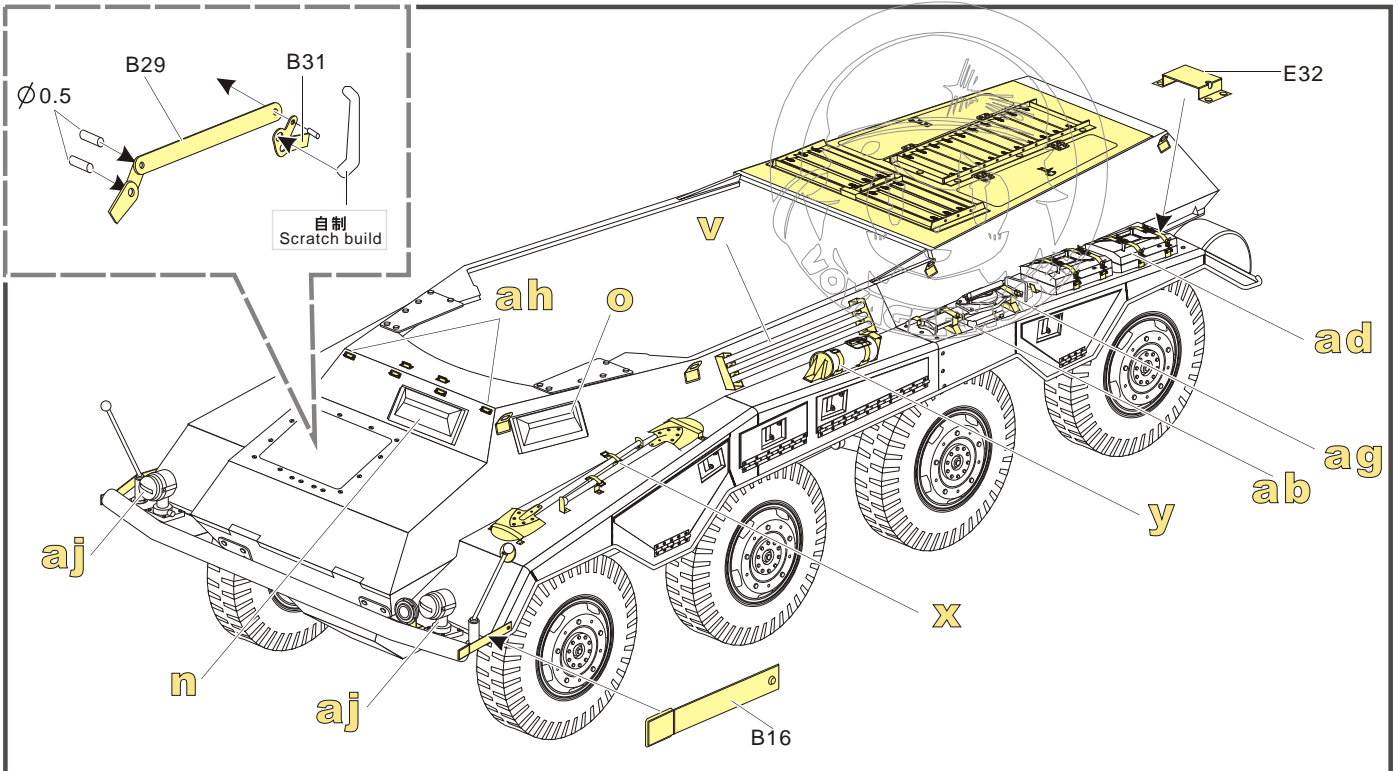


1/35 MILITARY MINIATURE VEHICLE UPGRADE SERIES PE351336





1/35 MILITARY MINIATURE VEHICLE UPGRADE SERIES PE351336



VOYAGERMODEL® 无微不至 极尽享受

Recommended item

PE 351300	WWII German Sd.Kfz 234/2 PUMA Basic Upgrade Set
PE 351302	WWII German Sd.Kfz 234 storage box late version
PE 351301	WWII German Sd.Kfz 234 storage box early version
PE 351306	WWII German Sd.Kfz 234/4 Basic Upgrade Set
VBS0102	WWII German 75mm Pak40 Barrel(Early version)