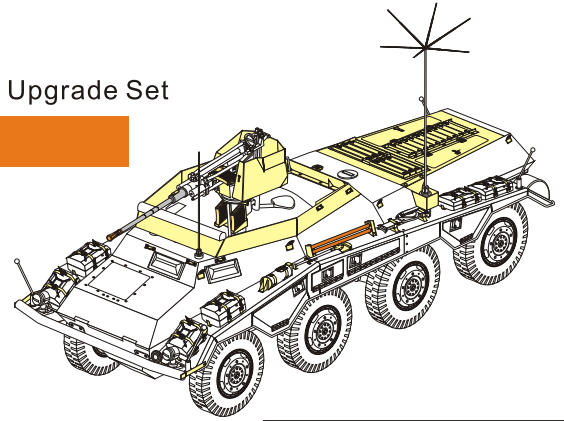


1/35 MILITARY MINIATURE VEHICLE UPGRADE SERIES PE351358

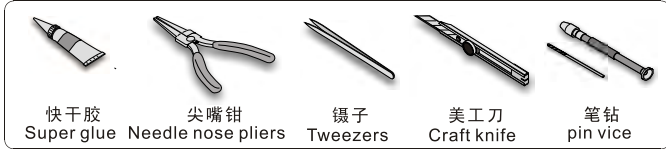
WWII German Sd.Kfz 234/3 mit 2cm Schwebelafette Basic Upgrade Set

二战德军234/3 装载2厘米机关炮装甲车基本改造件










[For DRAGON 6969]




■ 推荐使用工具 RECOMMENDED TOOLS

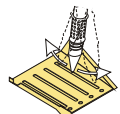


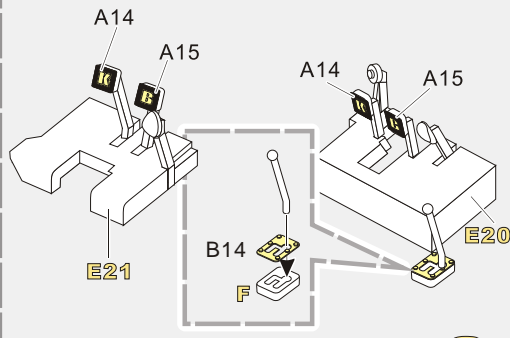
快干胶 Super glue 尖嘴钳 Needle nose pliers 镊子 Tweezers 美工刀 Craft knife 笔钻 pin vice

- 
 安装
install
- 
 折叠
bend
- A1**
 改造件零件编号
PE/resin part number
- B12**
 原零件编号
kit part number
- C22**
 被替换的原零件编号
replaced kit part number
- 
 另一侧相同制作
repeat on opposite side
- 
 切除
remove
- 
 打磨
grind off
- 
 弧度卷曲
radial bending
- x2**
 制作若干组
multiple assembly
- 
 选择安装
alternative
- 
 钻孔
drill
- 
 用胶棒制作
make from plastic rod

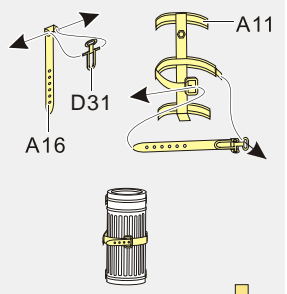

 用尖端在凹槽处冲压
use penpoint to press on the dent

蚀刻片零件内侧面向上
Put the part upside down
 用笔尖在凹槽处刺
Use penpoint to press on the dent

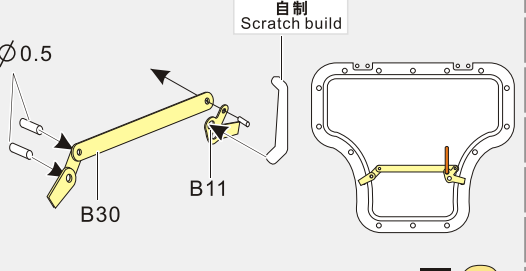




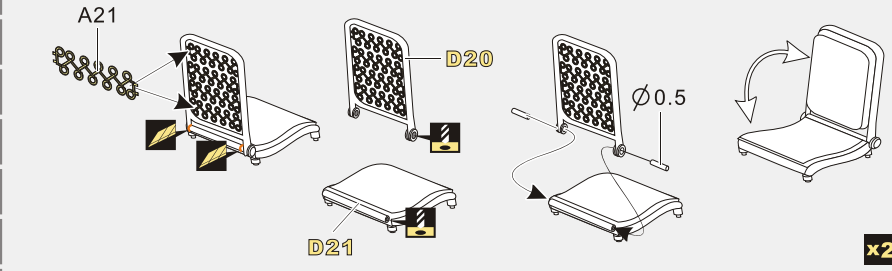
a



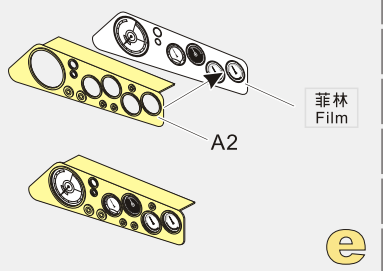
x2 b



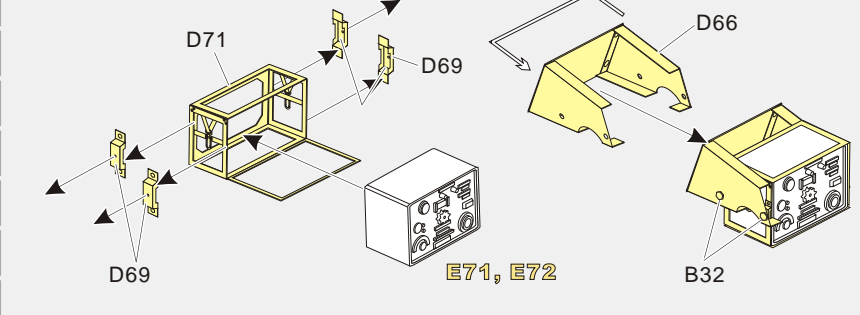
x2 c



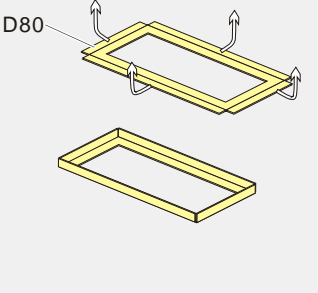
x2 d



e

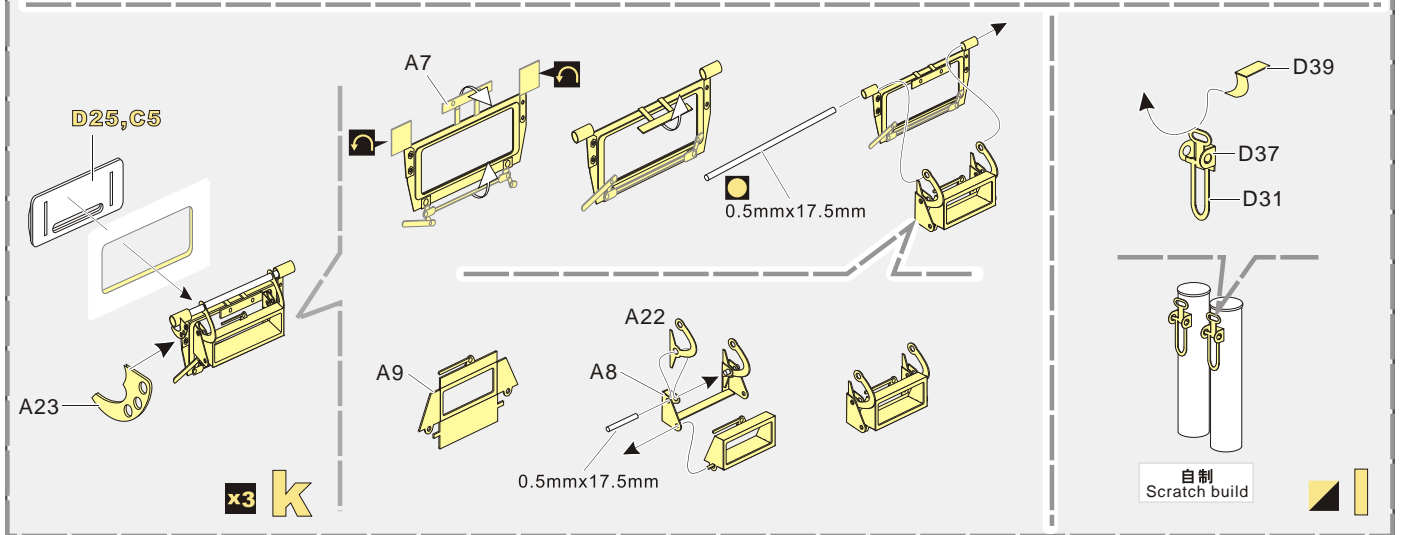
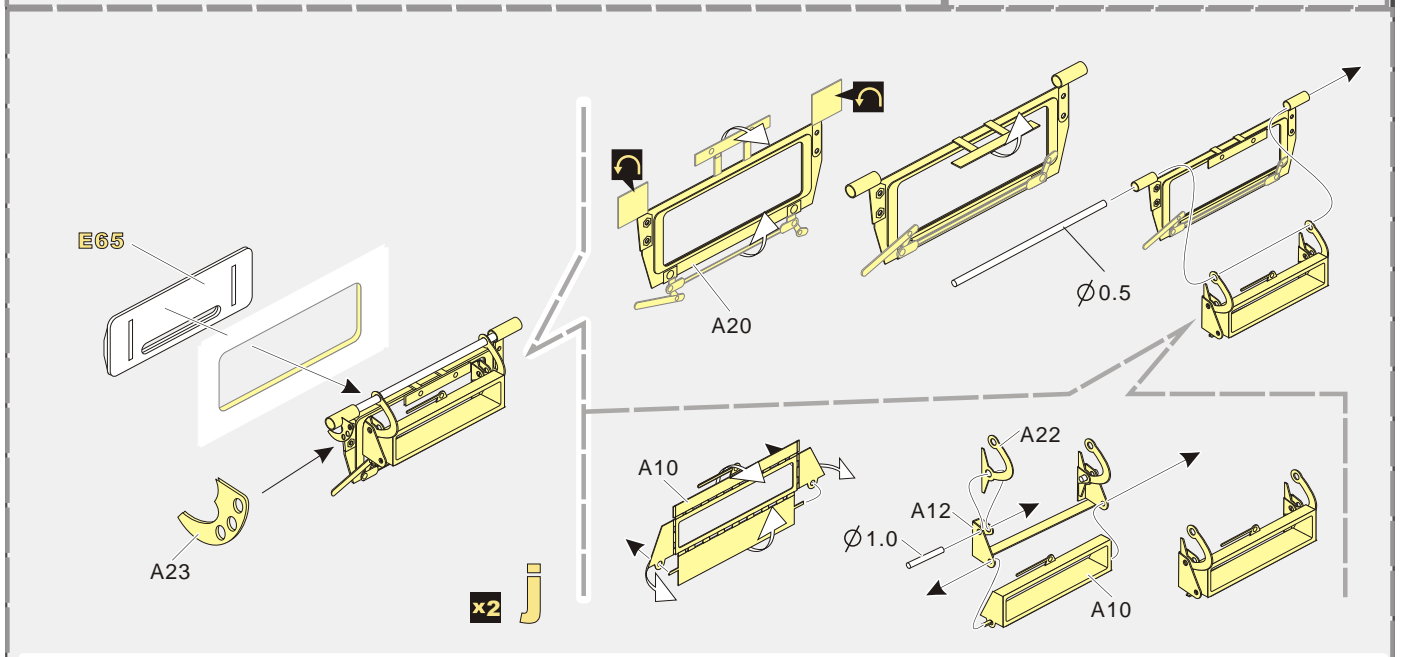
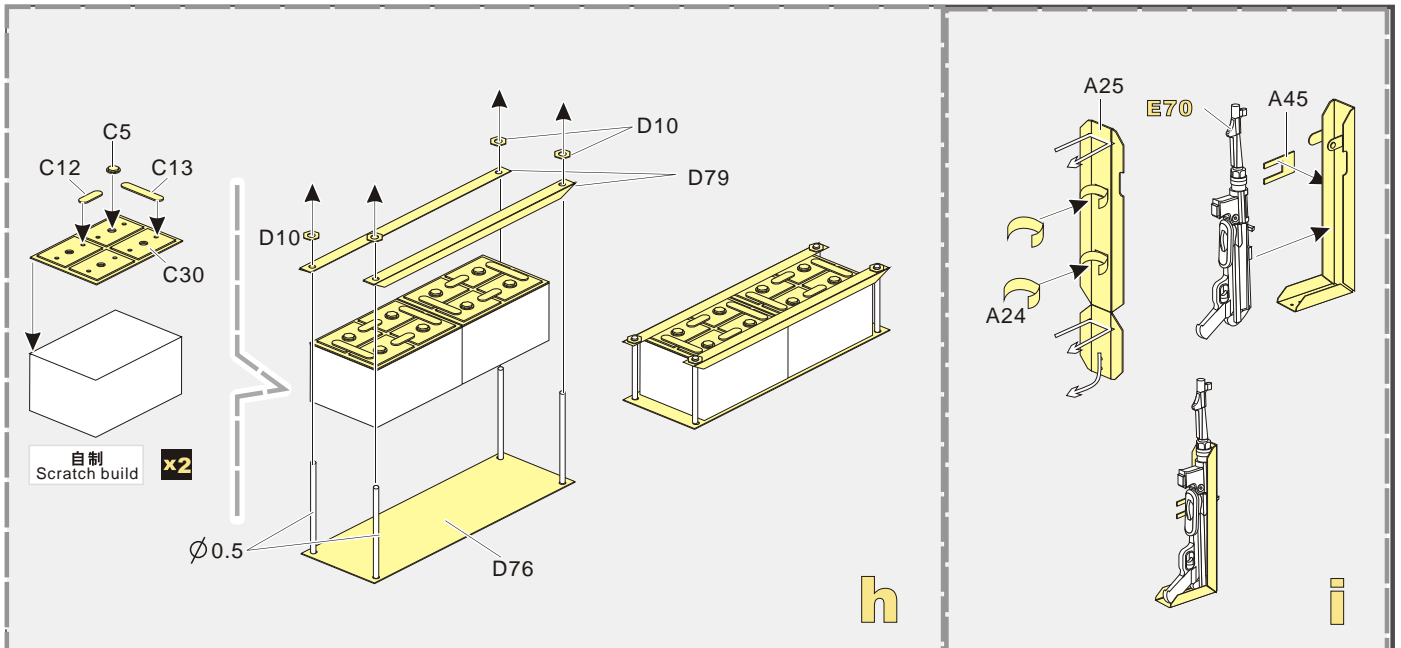


f

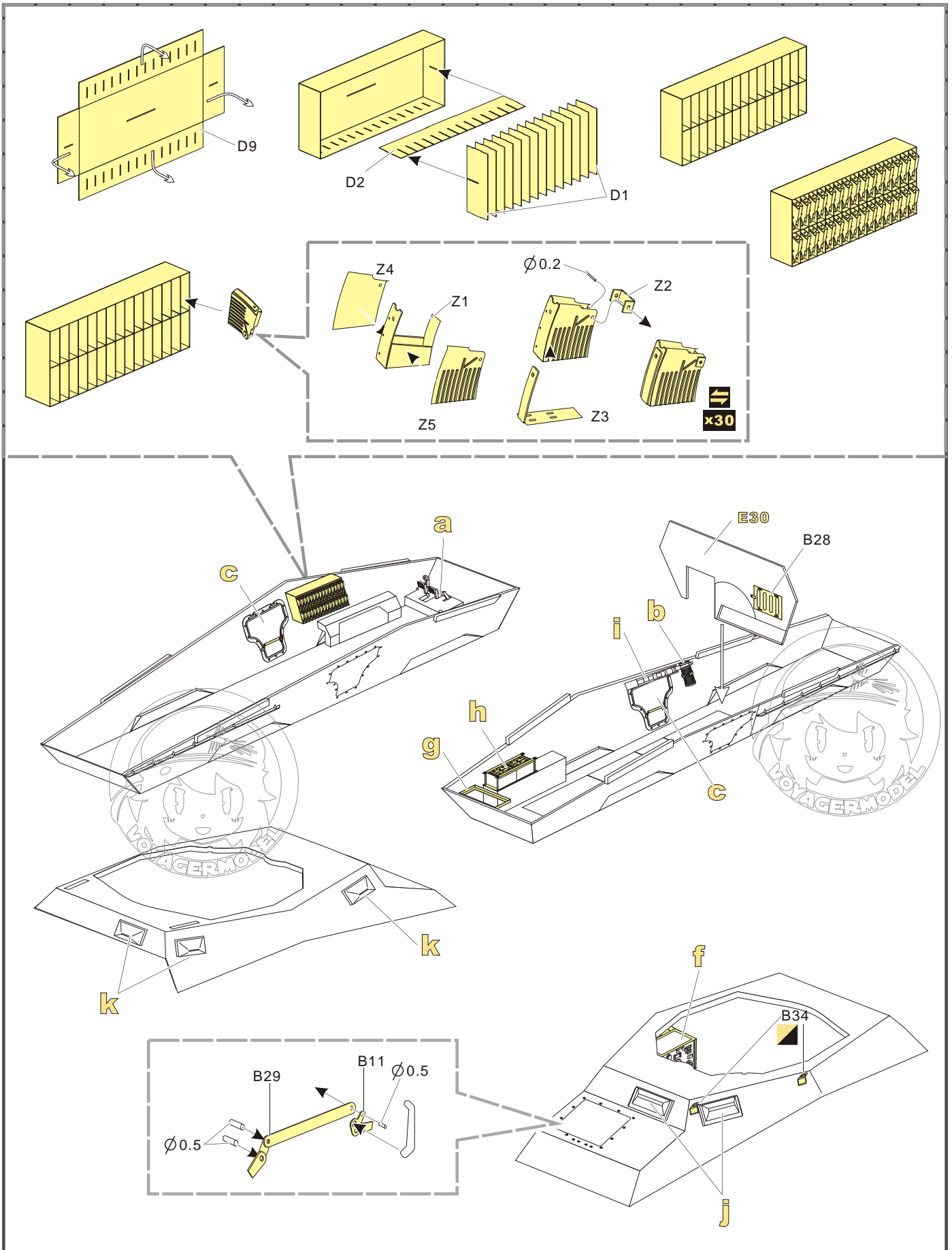


g

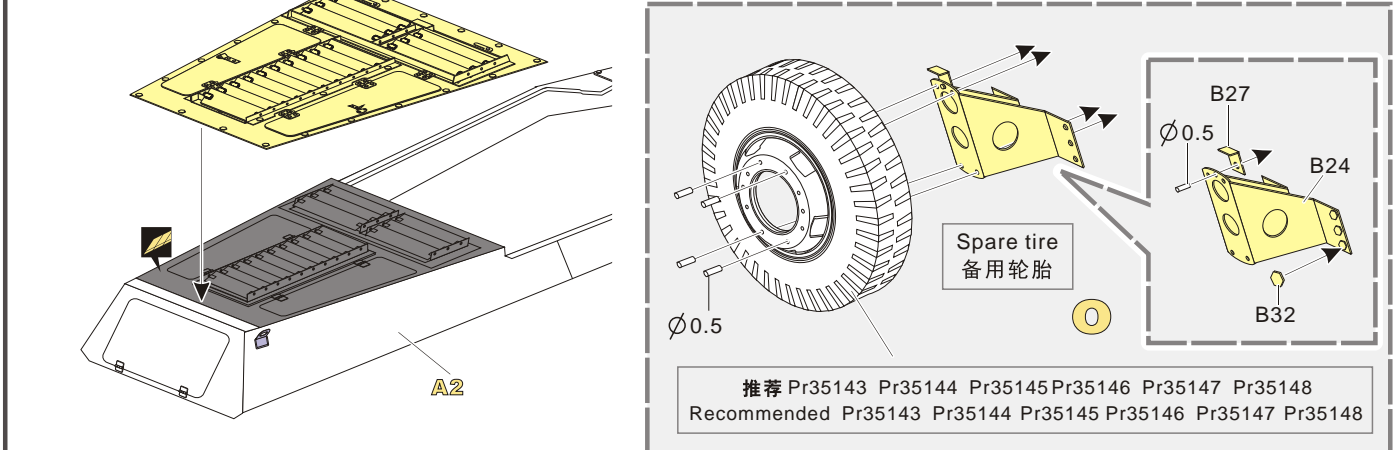
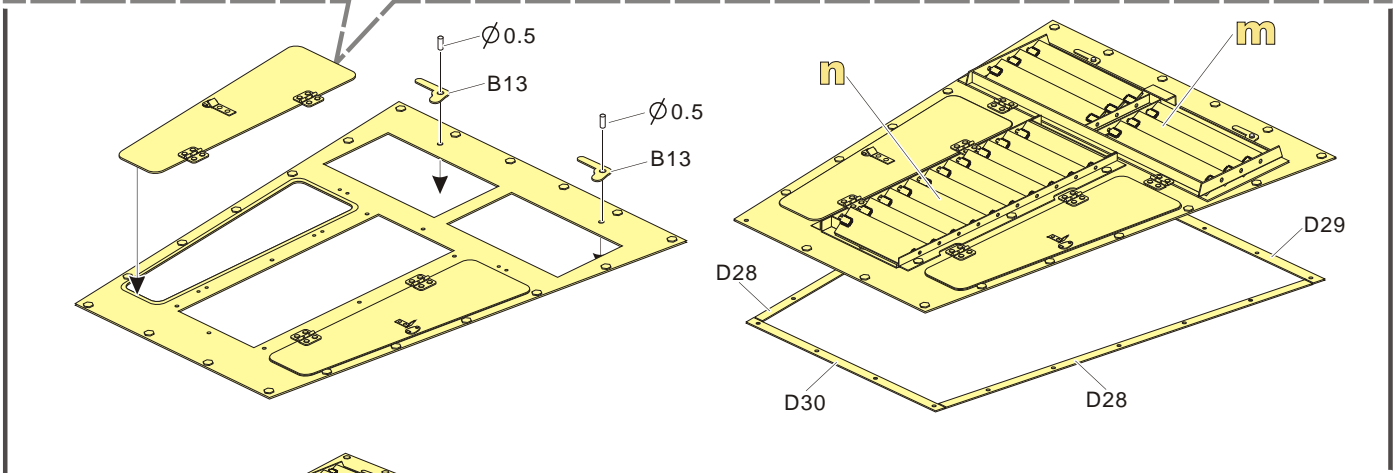
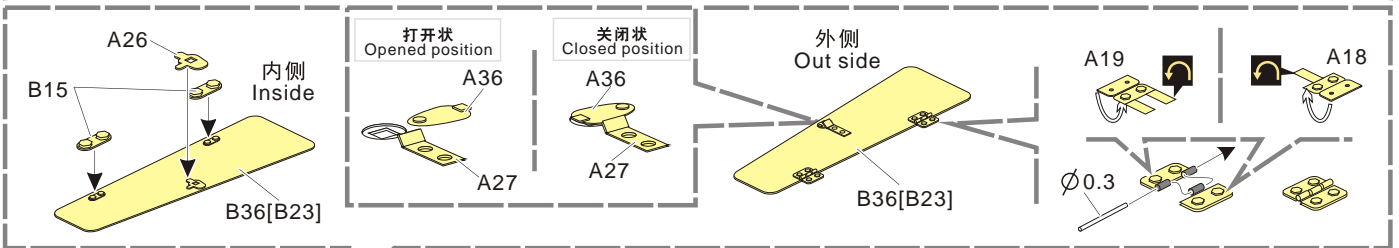
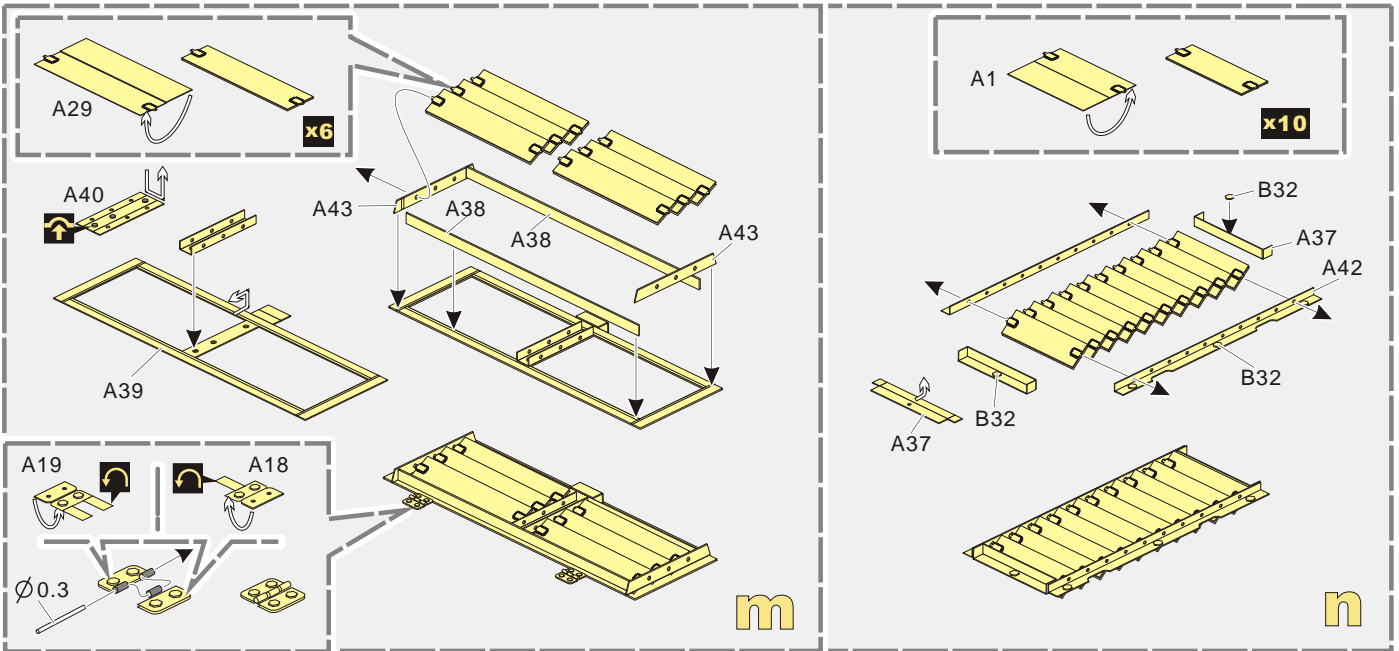
1/35 MILITARY MINIATURE VEHICLE UPGRADE SERIES PE351358



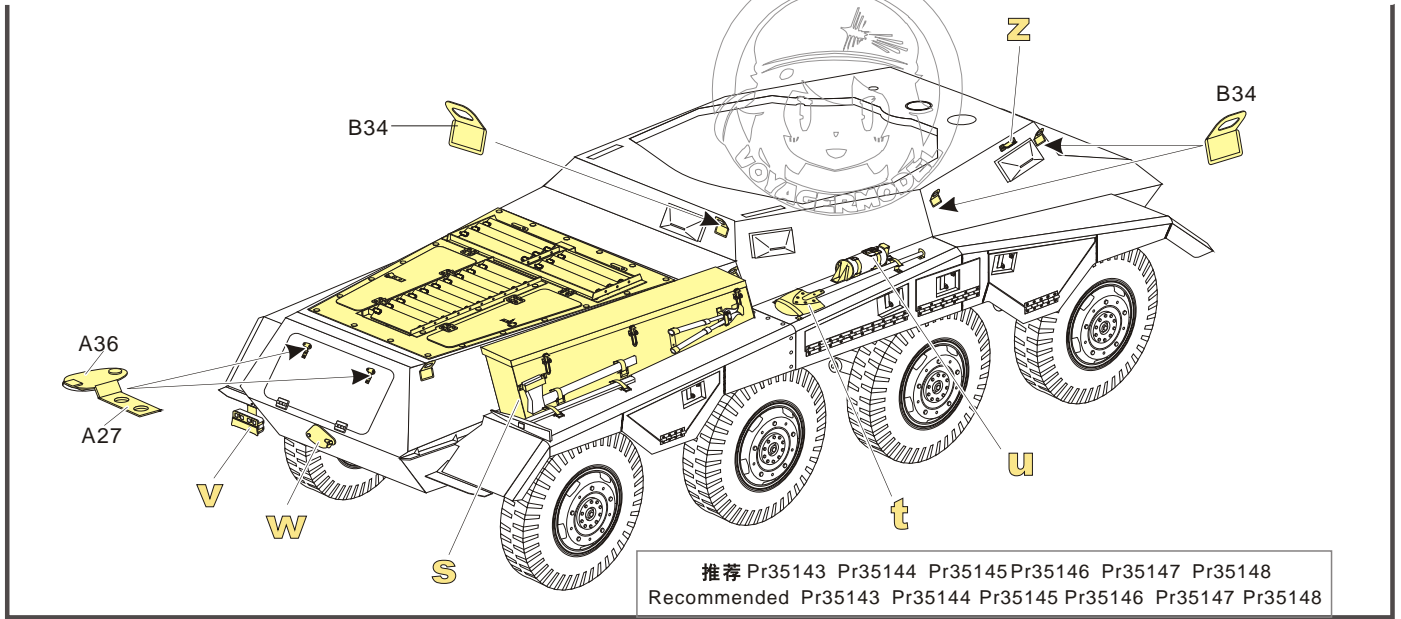
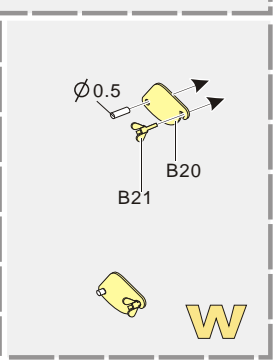
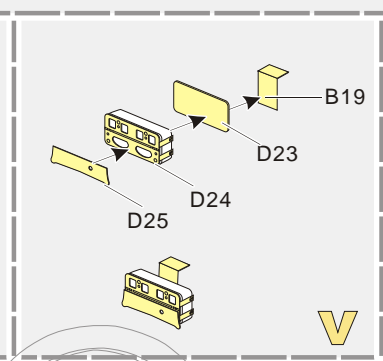
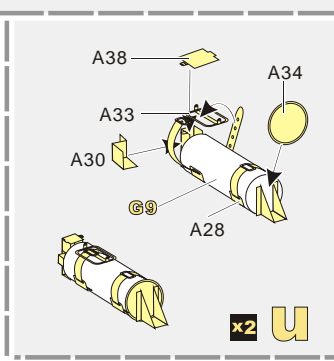
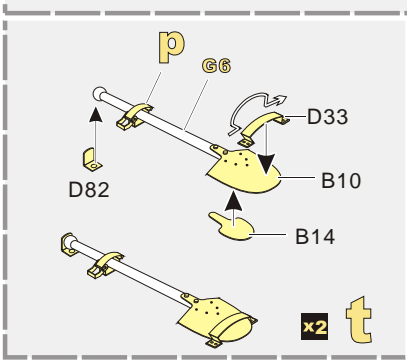
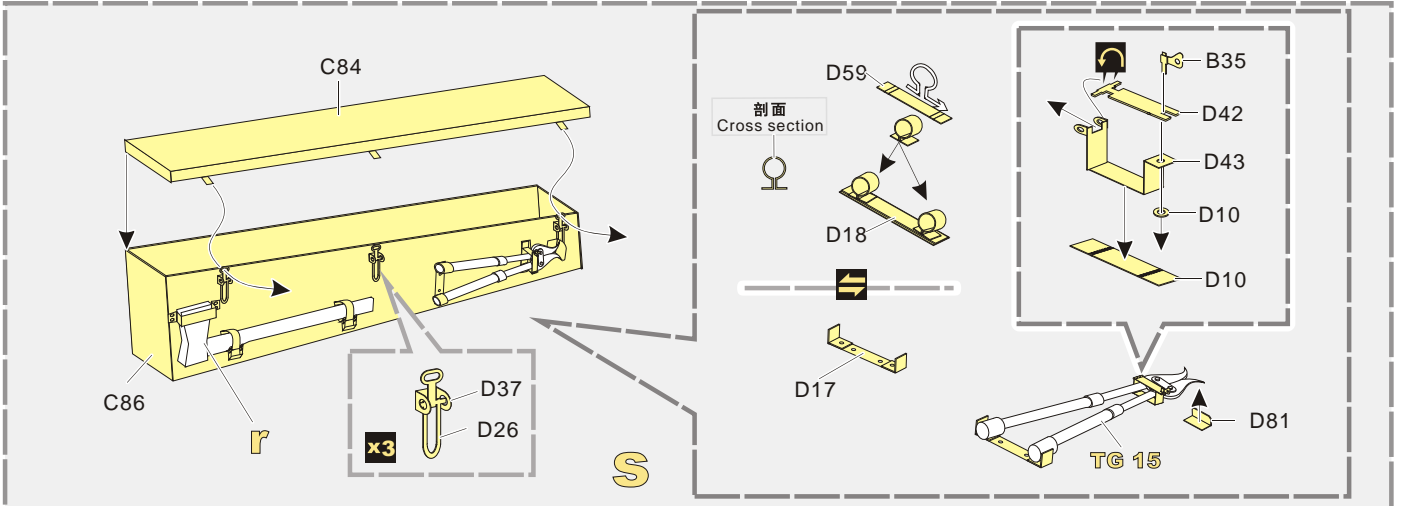
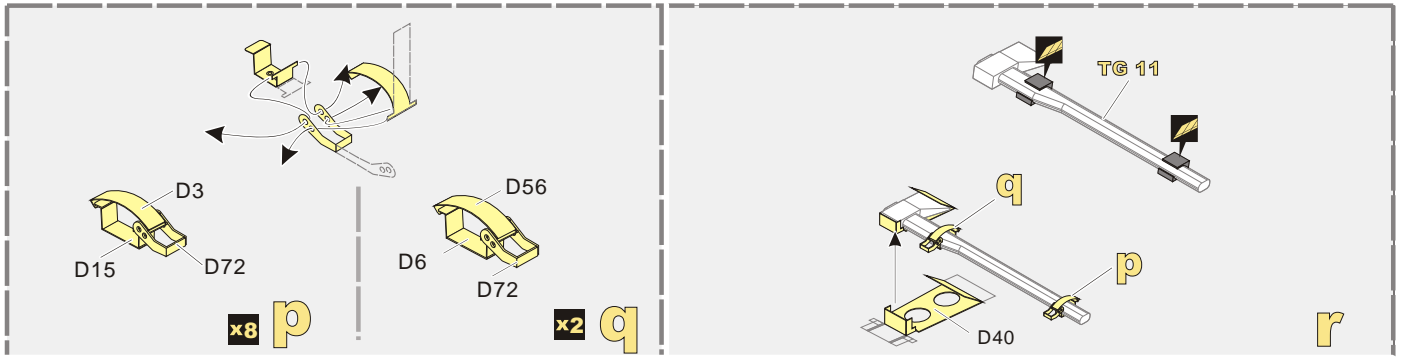
1/35 MILITARY MINIATURE VEHICLE UPGRADE SERIES PE351358



1/35 MILITARY MINIATURE VEHICLE UPGRADE SERIES PE351358

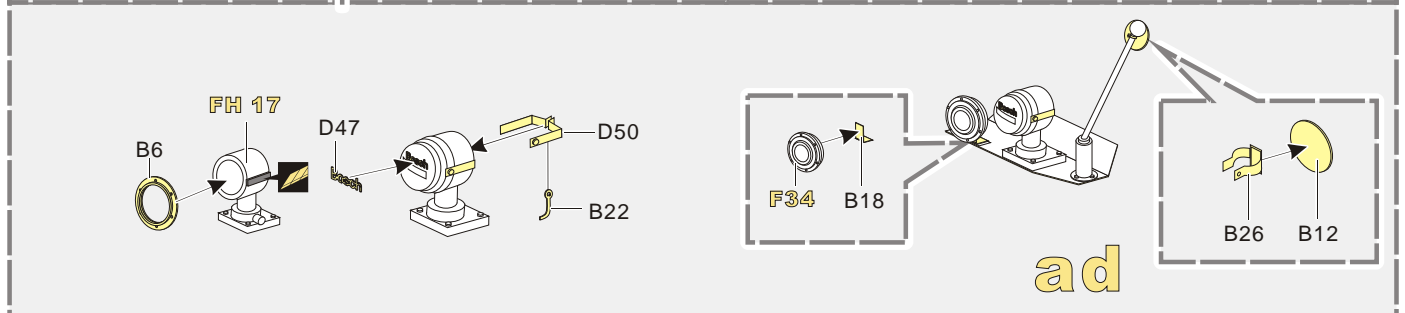
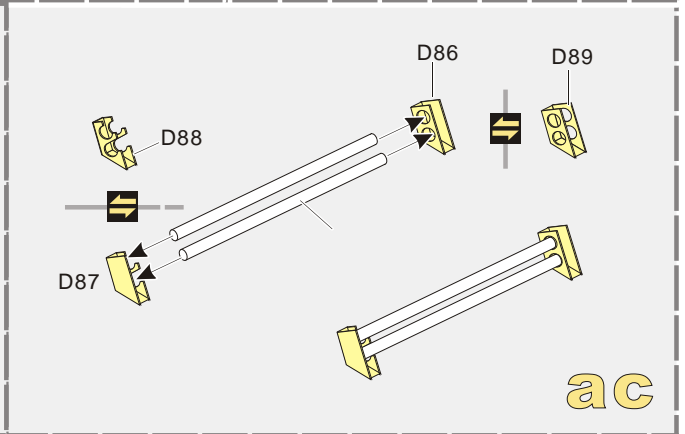
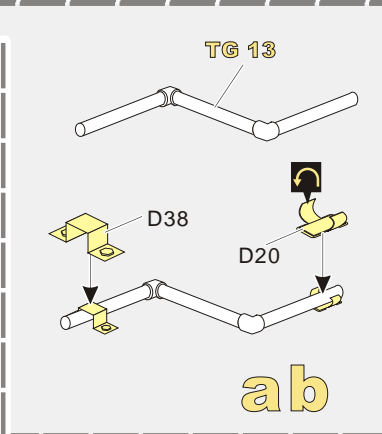
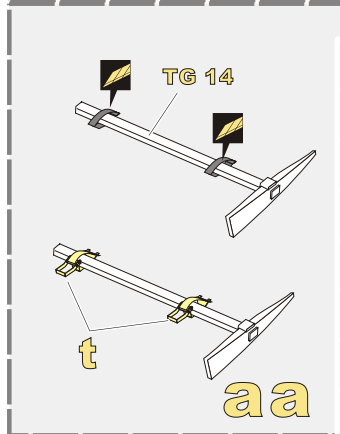
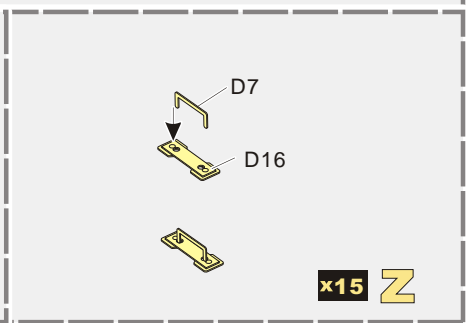
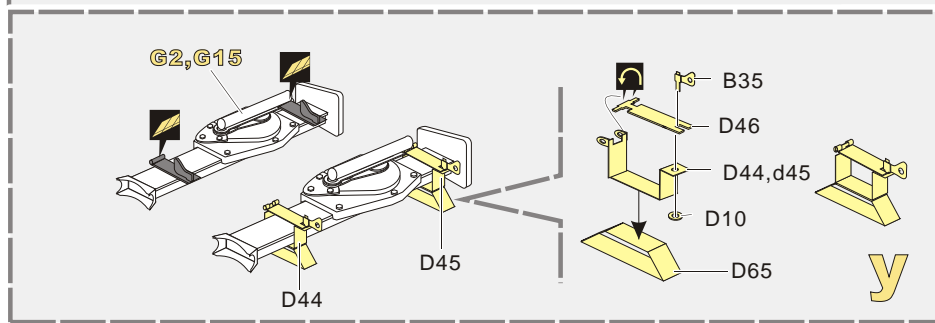
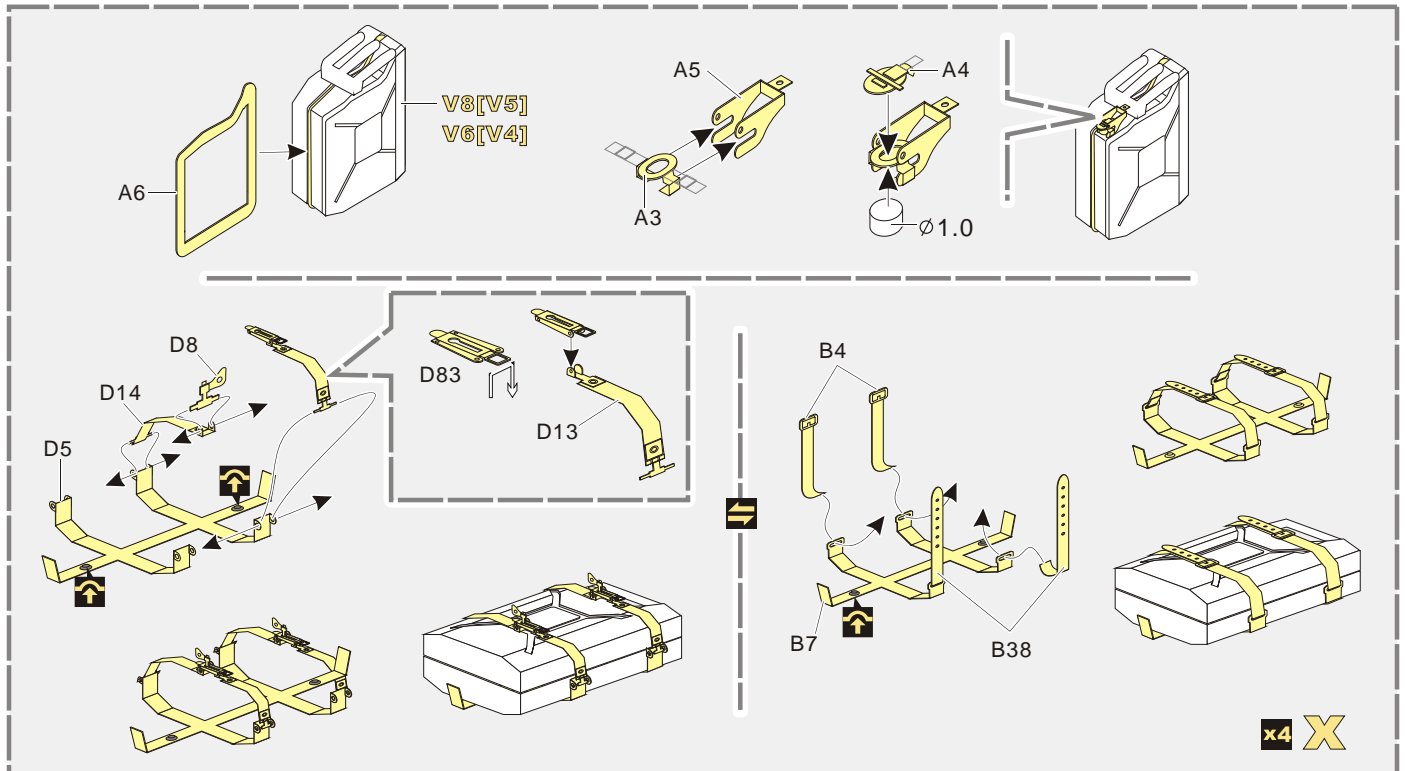


1/35 MILITARY MINIATURE VEHICLE UPGRADE SERIES PE351358

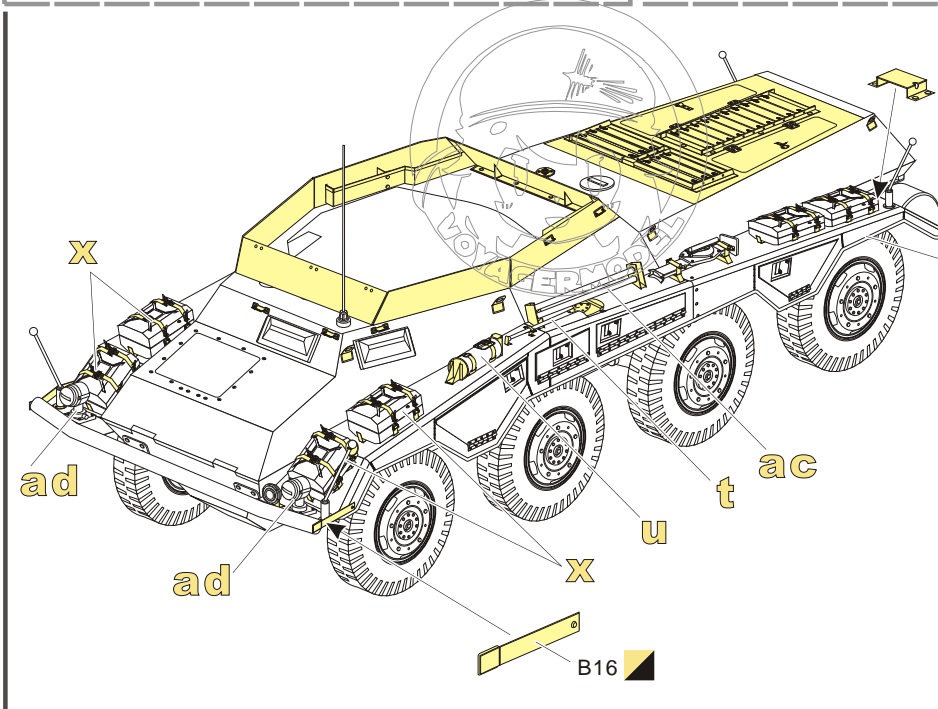
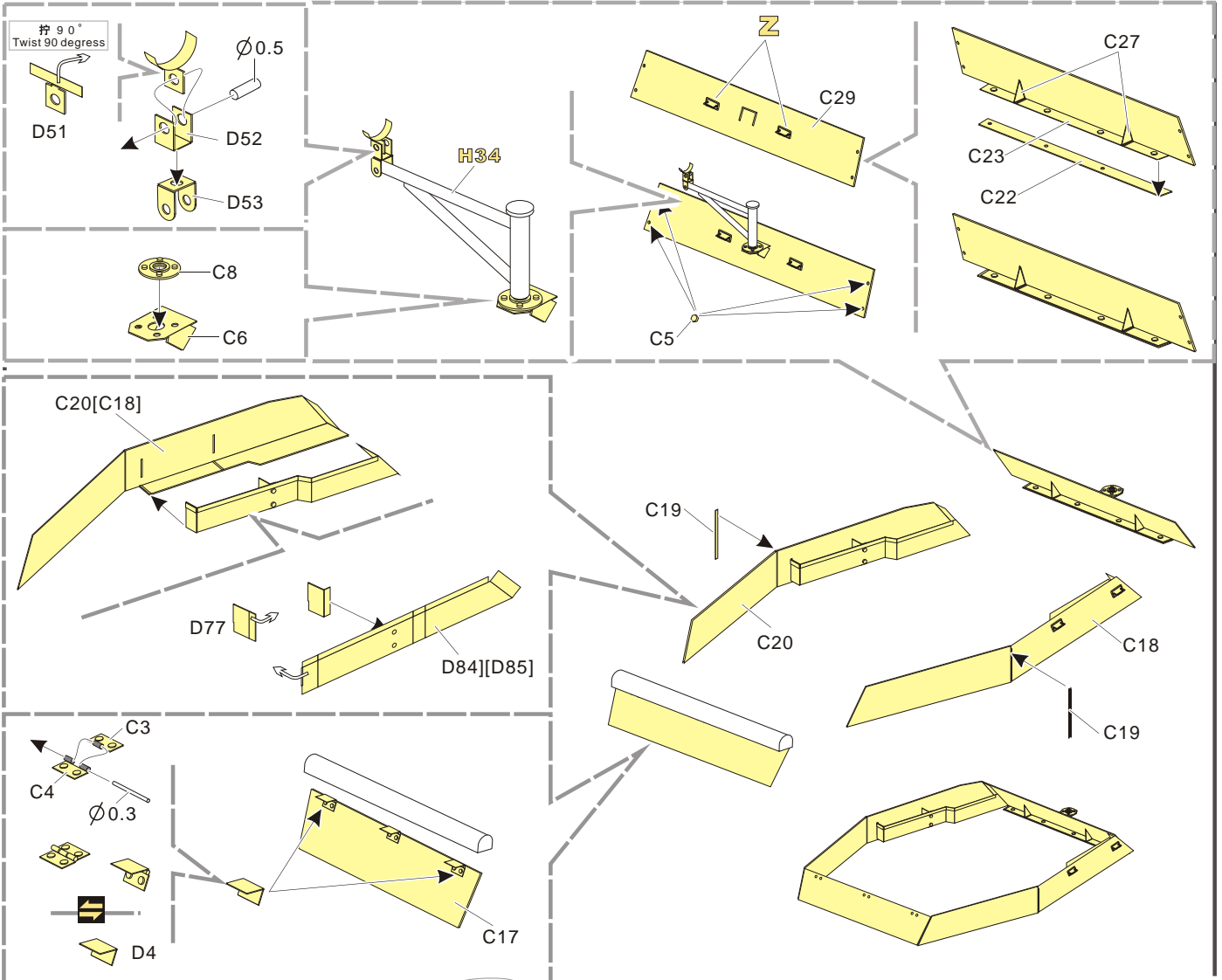


推荐 Pr35143 Pr35144 Pr35145 Pr35146 Pr35147 Pr35148
Recommended Pr35143 Pr35144 Pr35145 Pr35146 Pr35147 Pr35148

1/35 MILITARY MINIATURE VEHICLE UPGRADE SERIES PE351358



1/35 MILITARY MINIATURE VEHICLE UPGRADE SERIES PE351358



推荐 Pe351301 Pe351302
VOYAGERMODEL Pe351301 Pe351302
Recommended

[Http://www.voyagermodel.com/
productdetails.asp?itemid=PE351358](http://www.voyagermodel.com/productdetails.asp?itemid=PE351358)

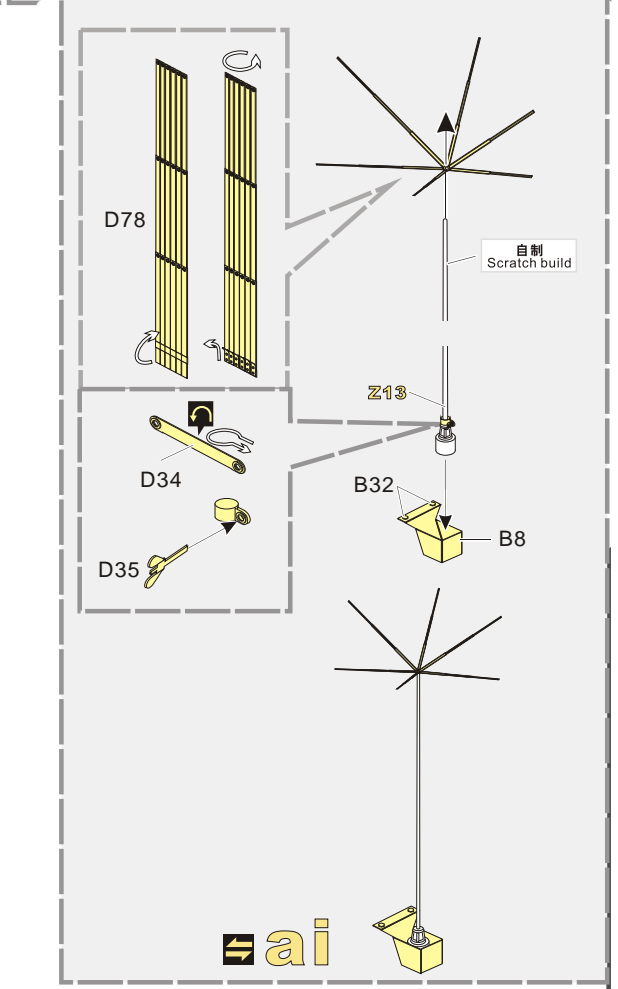
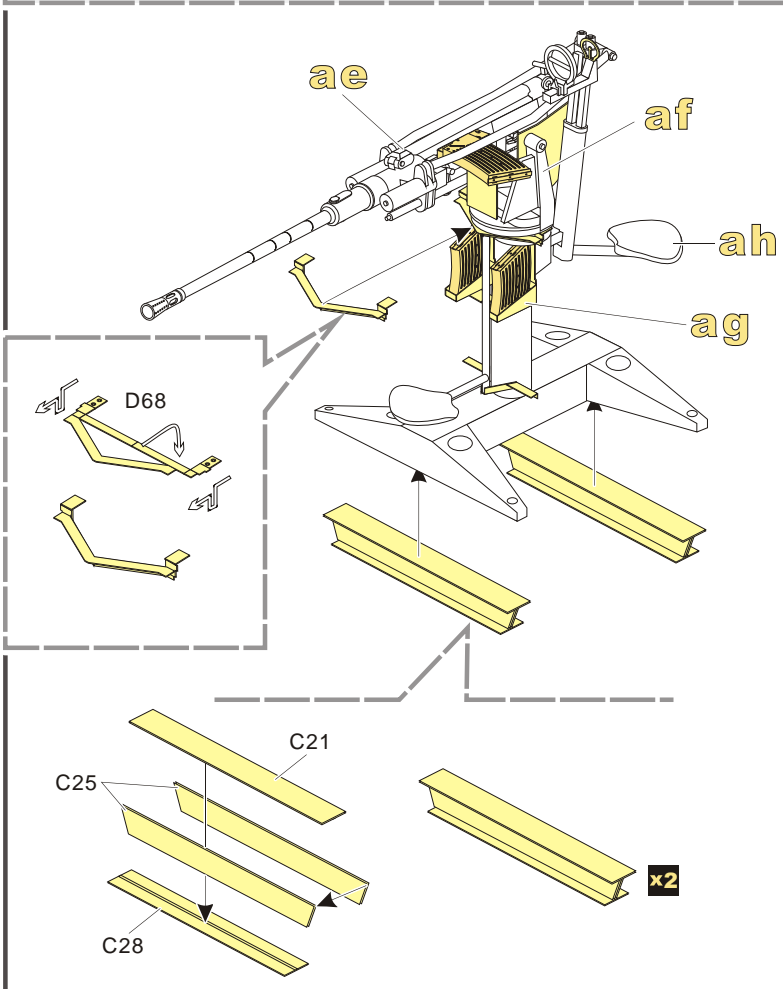
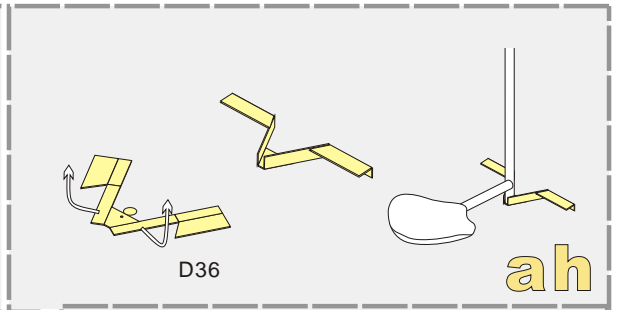
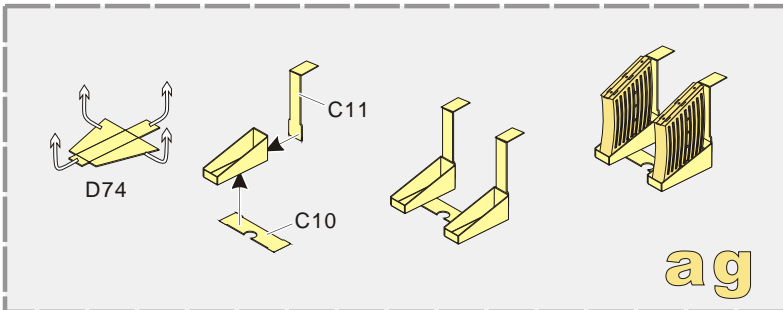
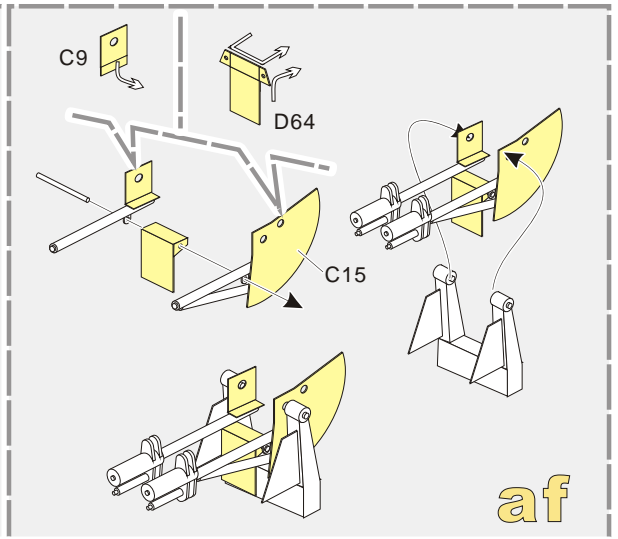
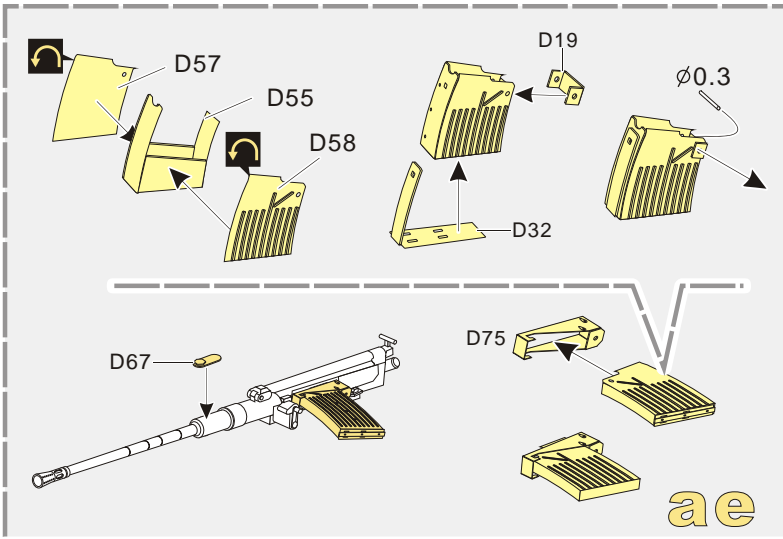


**VOYAGER
MODEL**

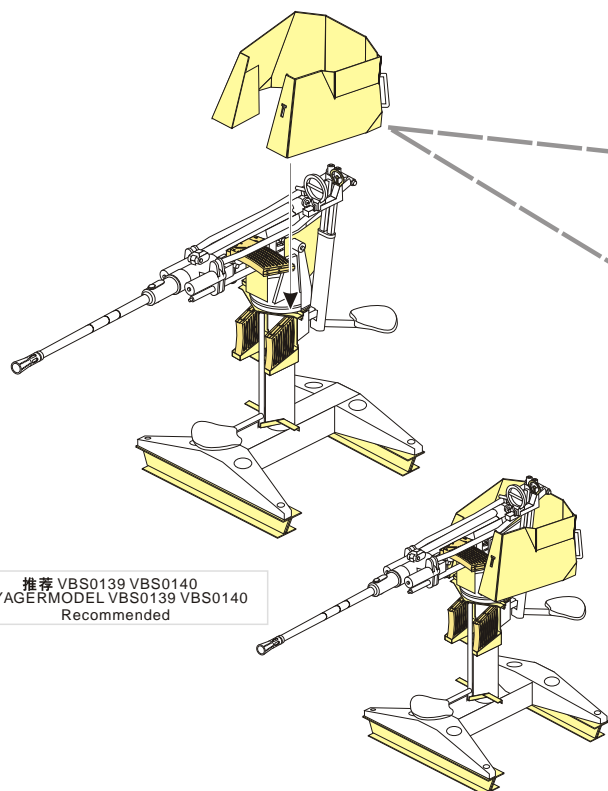


更多PE351358样品照片参考请扫一扫
MORE PICTUER OF PE 351358
REFERENCE SCAN HERE

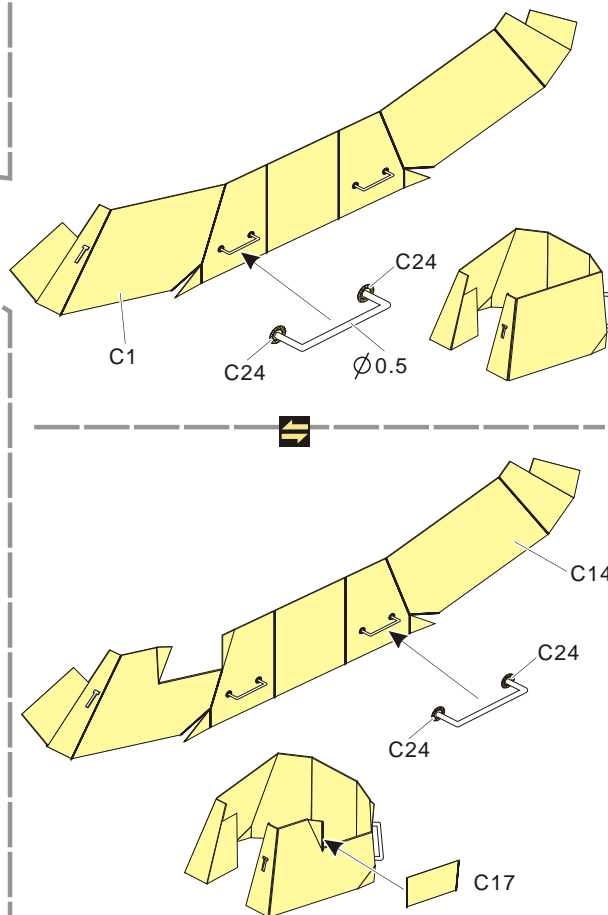
1/35 MILITARY MINIATURE VEHICLE UPGRADE SERIES PE351358



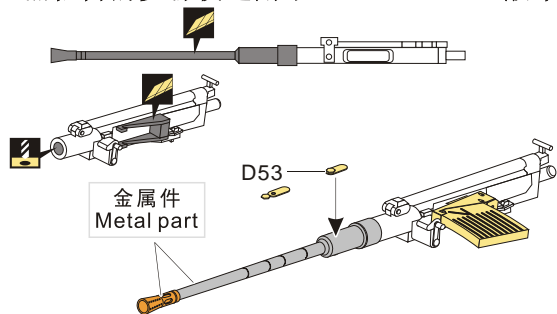
1/35 MILITARY MINIATURE VEHICLE UPGRADE SERIES PE351358



推荐 VBS0139 VBS0140
VOYAGERMODEL VBS0139 VBS0140
Recommended

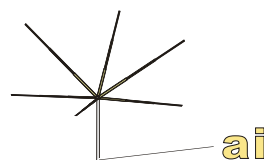


THE STEPS IN THE BLACK BOX APPLY FOR PE351358 BVERSION
黑框内的步骤仅适用于**PE351358 B版本**

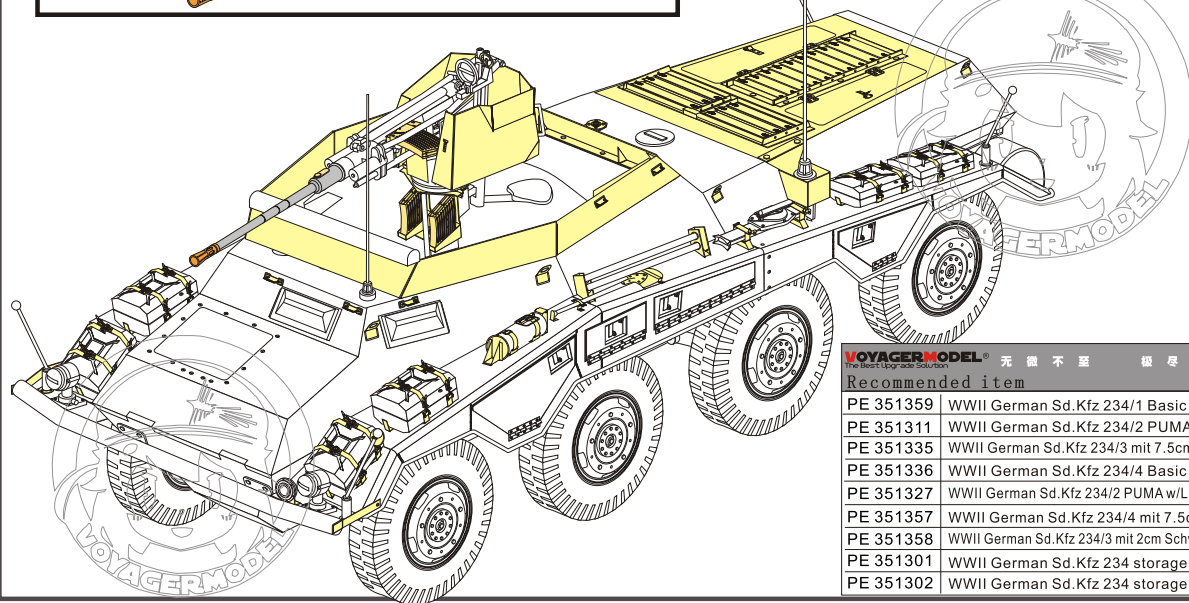


金属件
Metal part

D53



ai



VOYAGERMODEL® 无微不至 极尽享受

Recommended item

| | |
|-----------|---|
| PE 351359 | WWII German Sd.Kfz 234/1 Basic Late Version Upgrade Set |
| PE 351311 | WWII German Sd.Kfz 234/2 PUMA Basic Upgrade Set 2.0 |
| PE 351335 | WWII German Sd.Kfz 234/3 mit 7.5cm L/24 Basic Upgrade Set 2.0 |
| PE 351336 | WWII German Sd.Kfz 234/4 Basic Upgrade Set 2.0 |
| PE 351327 | WWII German Sd.Kfz 234/2 PUMA w/Luchs Turret Basic Upgrade Set |
| PE 351357 | WWII German Sd.Kfz 234/4 mit 7.5cm L/48 Basic Upgrade Set |
| PE 351358 | WWII German Sd.Kfz 234/3 mit 2cm Schwebelafette Basic Upgrade Set |
| PE 351301 | WWII German Sd.Kfz 234 storage box early version |
| PE 351302 | WWII German Sd.Kfz 234 storage box late version |