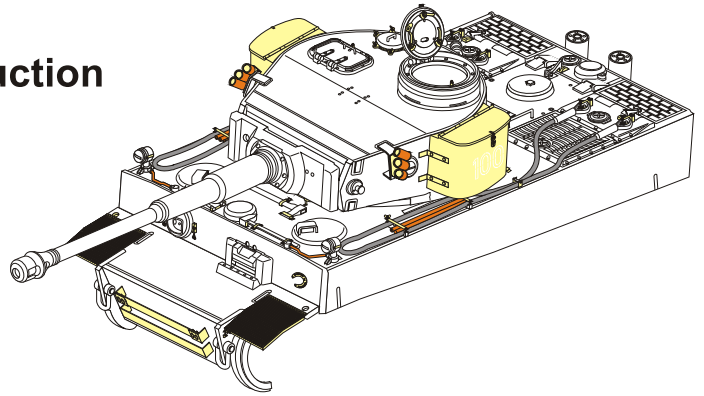


1/35 MILITARY MINIATURE VEHICLE UPGRADE SERIES PE351360

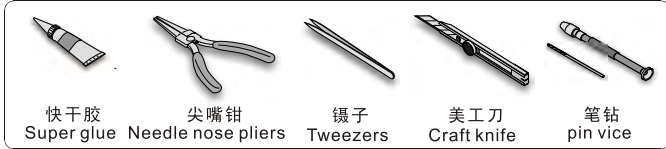
WWII German Tiger I Initial Production










二战德军虎I型坦克极初期型改造件


[For TAKOM 2197]



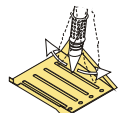
■ 推荐使用工具 RECOMMENDED TOOLS

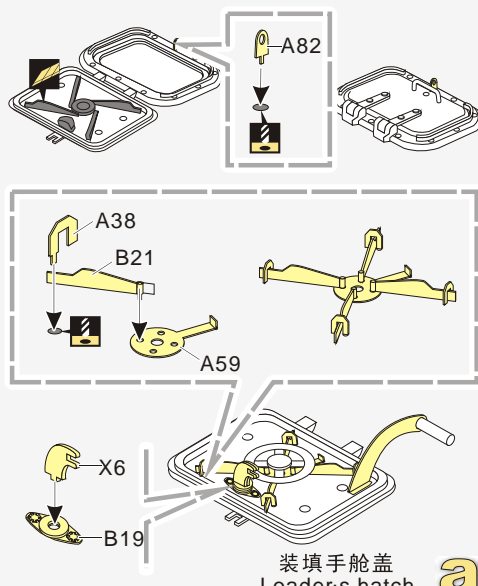


- 
 安装
install
- 
 折叠
bend
- A1**
 改造件零件编号
PE/resin part number
- B12**
 原零件编号
kit part number
- C22**
 被替换的原零件编号
replaced kit part number
- 
 另一侧相同制作
repeat on opposite side
- 
 切除
remove
- 
 打磨
grind off
- 
 弧度卷曲
radial bending
- x2**
 制作若干组
multiple assembly
- 
 选择安装
alternative
- 
 用铜管制作
make from brass tube
- 
 用胶棒制作
make from plastic rod

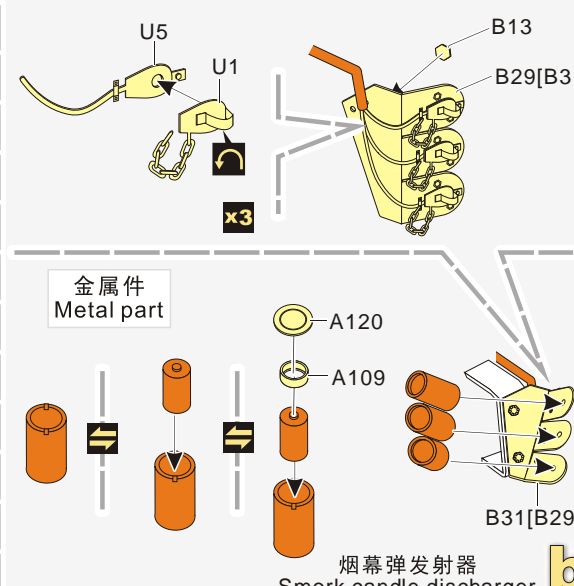

 用尖端在凹槽处冲压
use penpoint to press on the dent

蚀刻片零件内侧面向上
Put the part upside down
 用笔尖在凹槽处刮
Use penpoint to press on the dent.



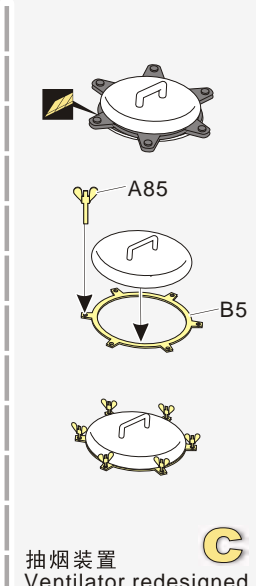


装填手舱盖
Loader's hatch **a**

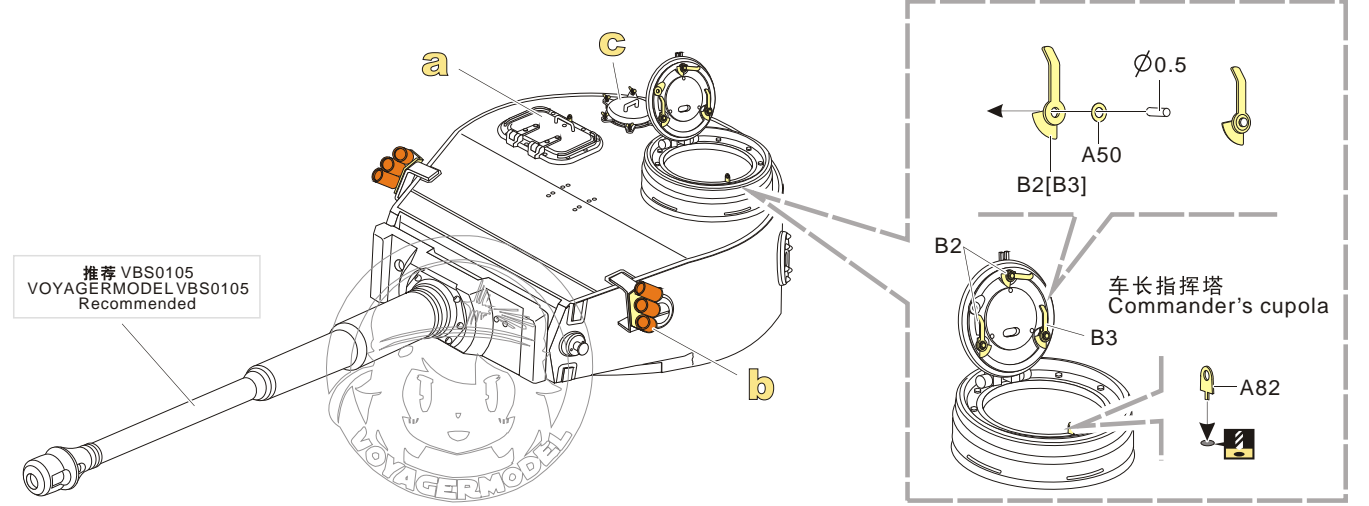


金属件
Metal part

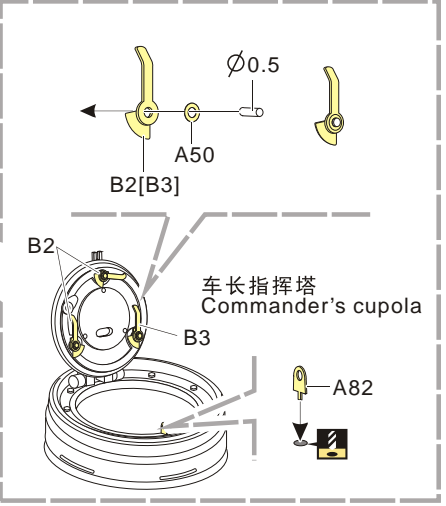
烟幕弹发射器
Smork candle discharger **b**



抽烟装置
Ventilator redesigned **c**

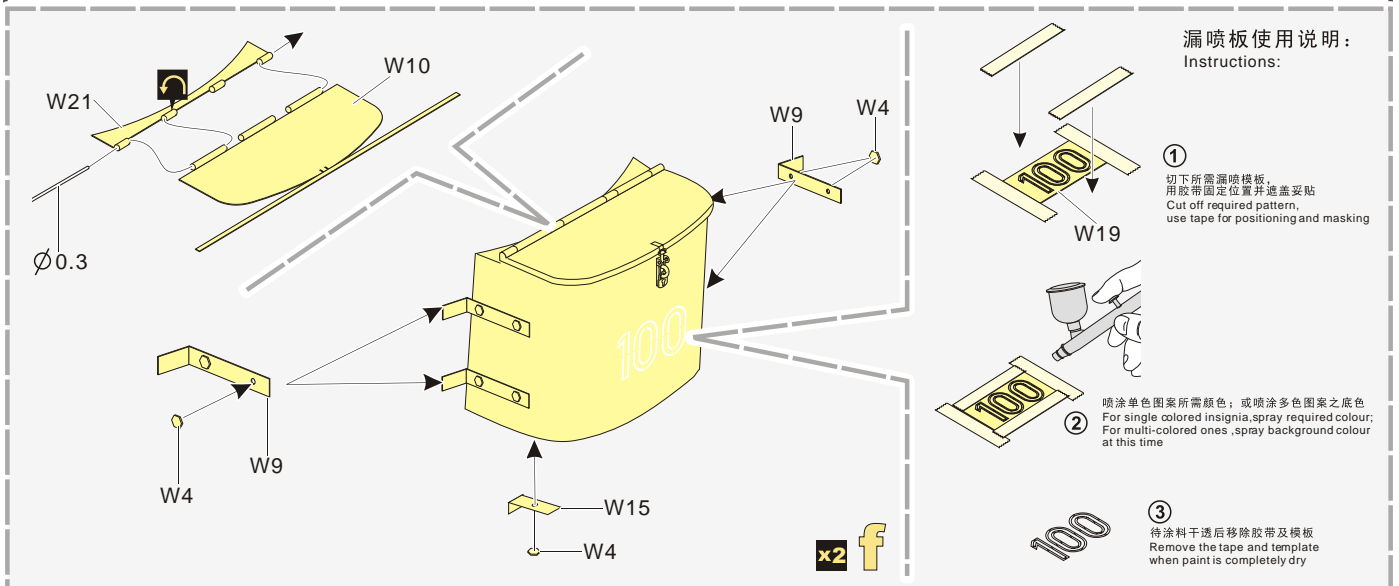
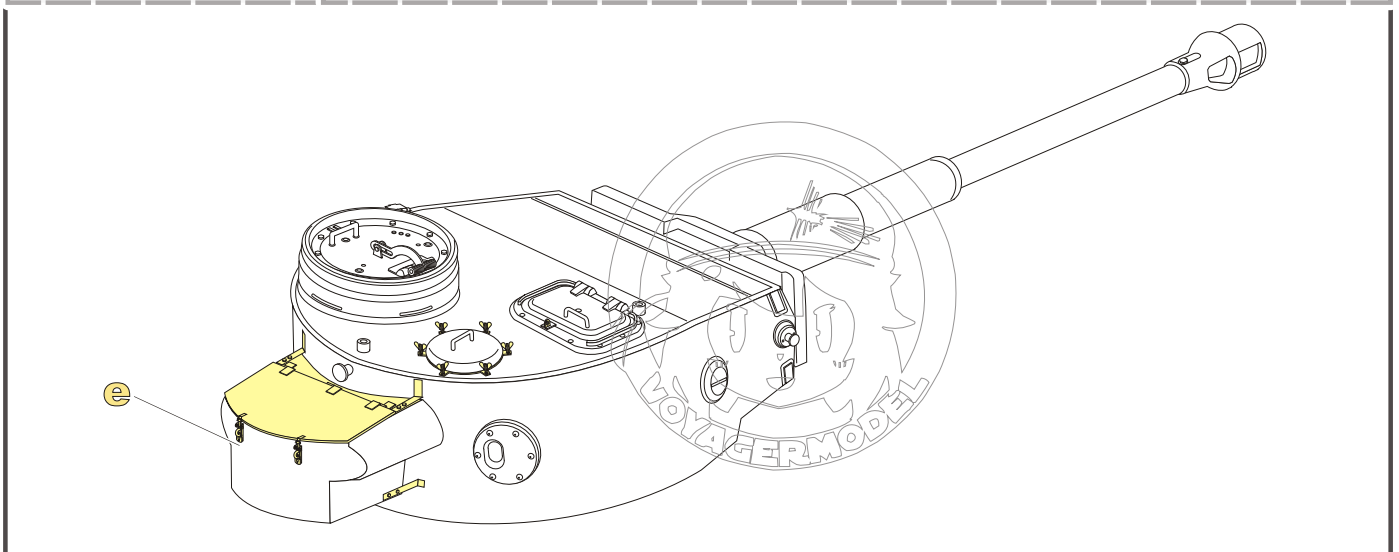
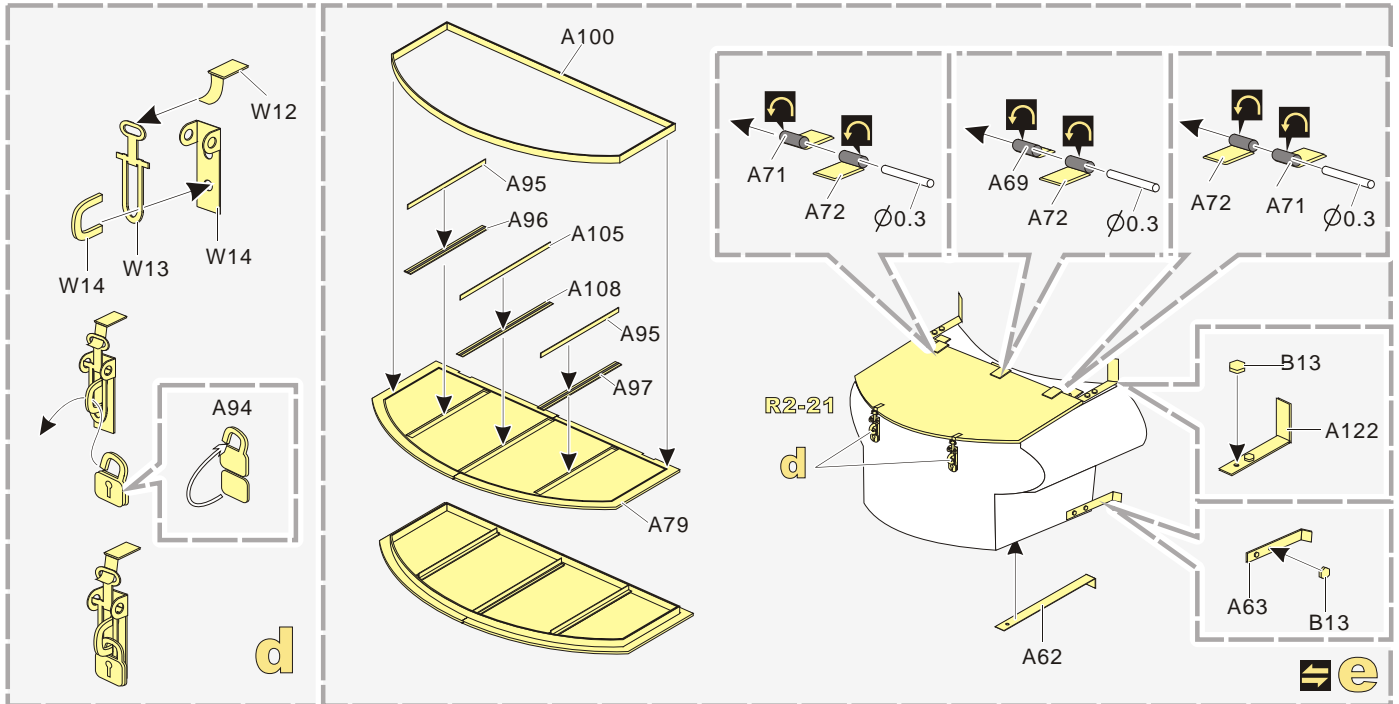


推荐 VBS0105
VOYAGERMODEL VBS0105
Recommended

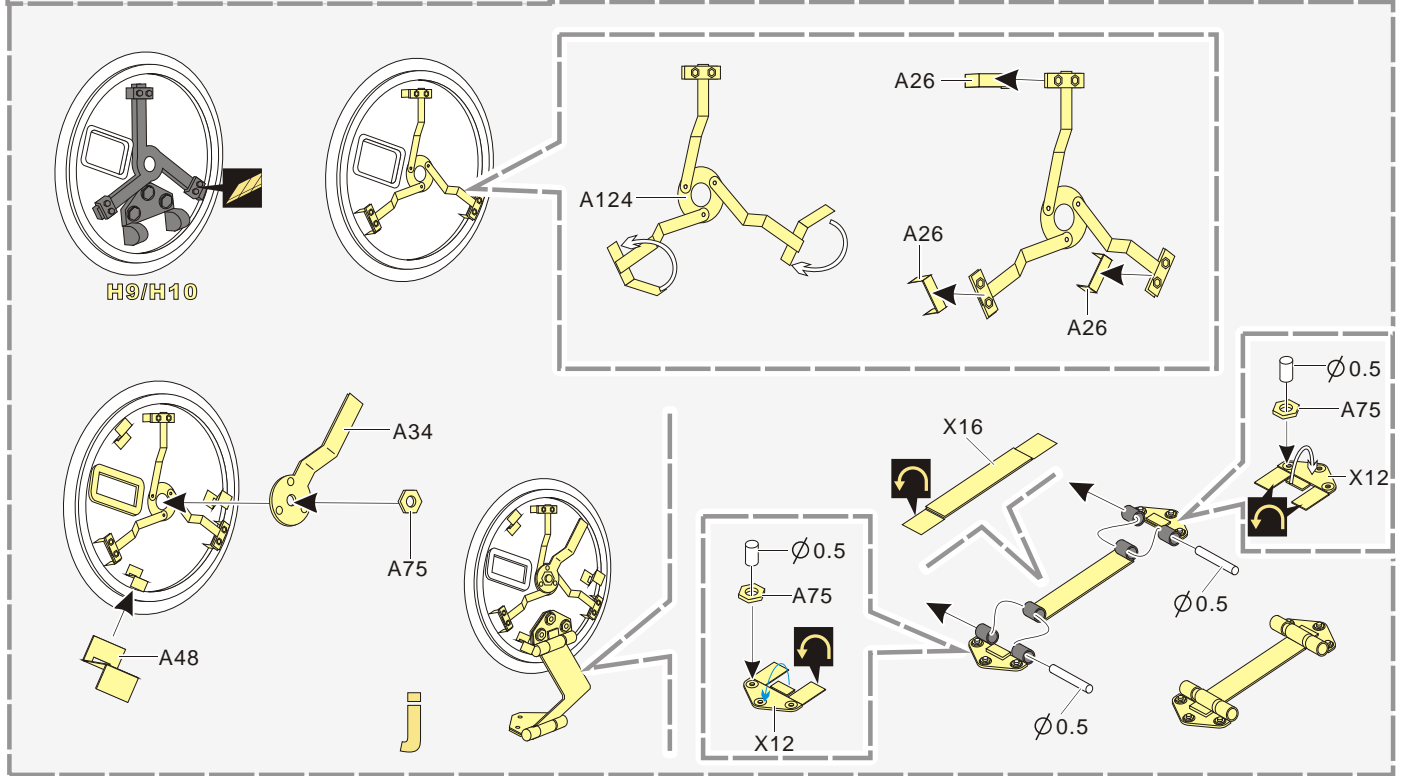
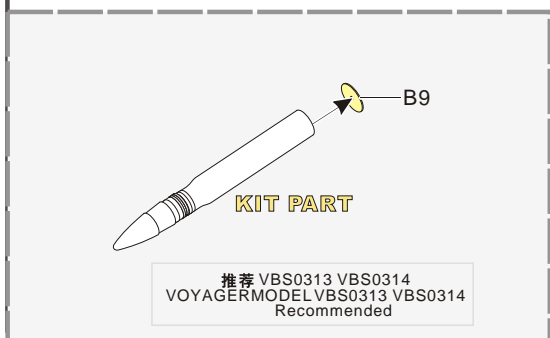
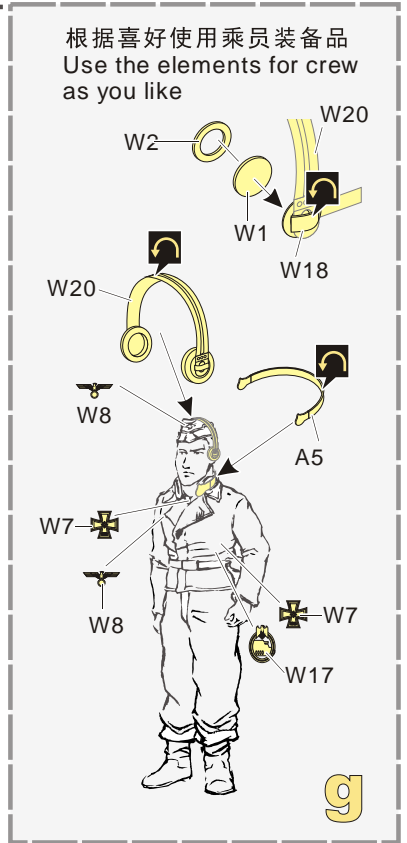
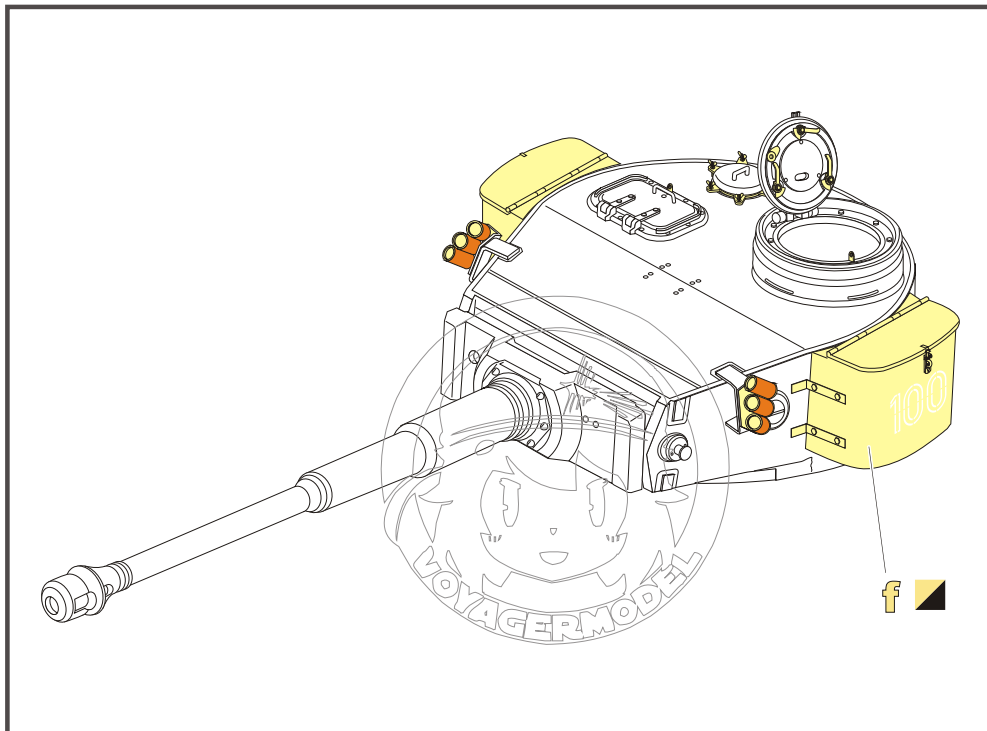


车长指挥塔
Commander's cupola

1/35 MILITARY MINIATURE VEHICLE UPGRADE SERIES PE351360



1/35 MILITARY MINIATURE VEHICLE UPGRADE SERIES PE351360



1/35 MILITARY MINIATURE VEHICLE UPGRADE SERIES PE351360

k **l** **m** **n** **o**

p **q** **x2 r**

s

t **x2**

u

钳子 Wirecutters

锤子 hammer

斧头 axe

圆锹 Shovel

灭火器 Fire extinguisher

撬棍 Crowbars

金属件 Metal part

右边 Right

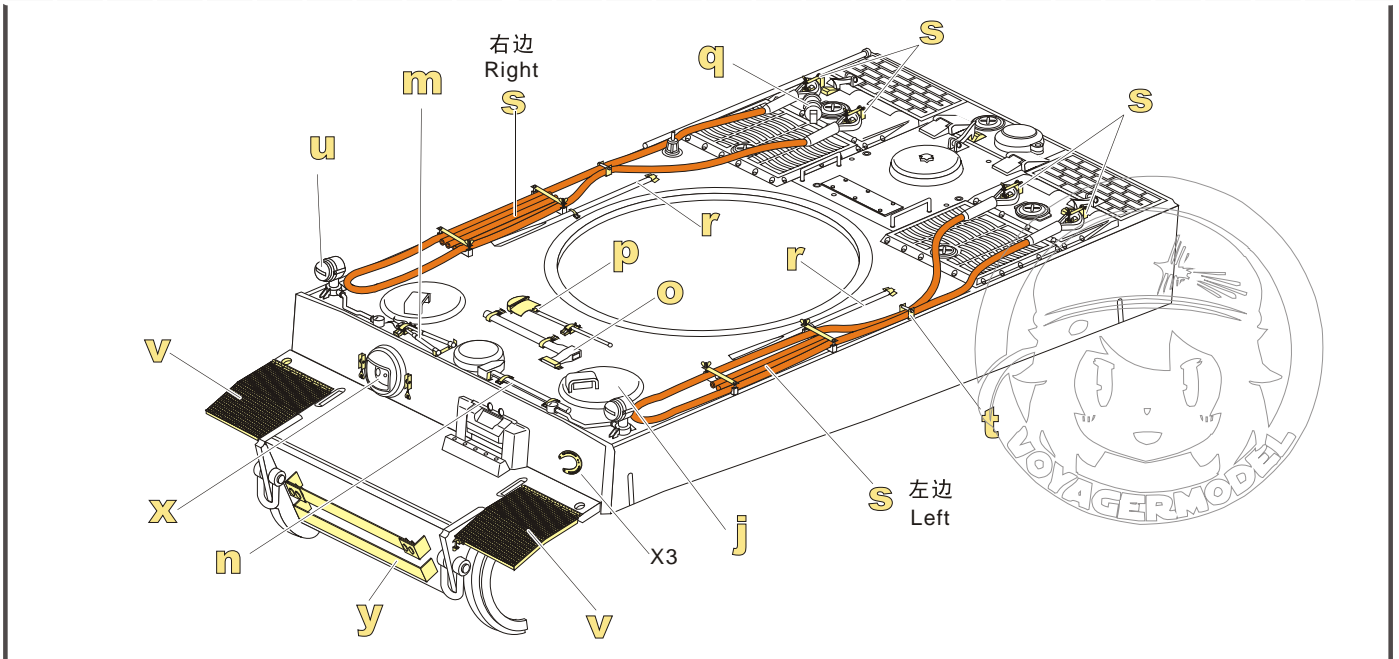
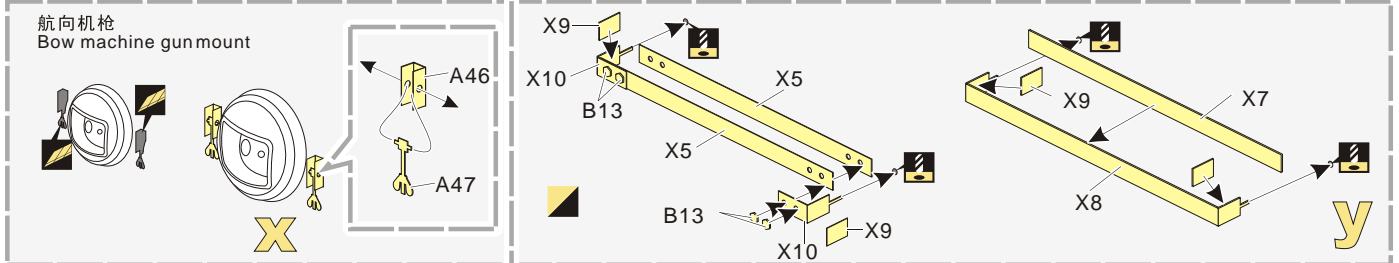
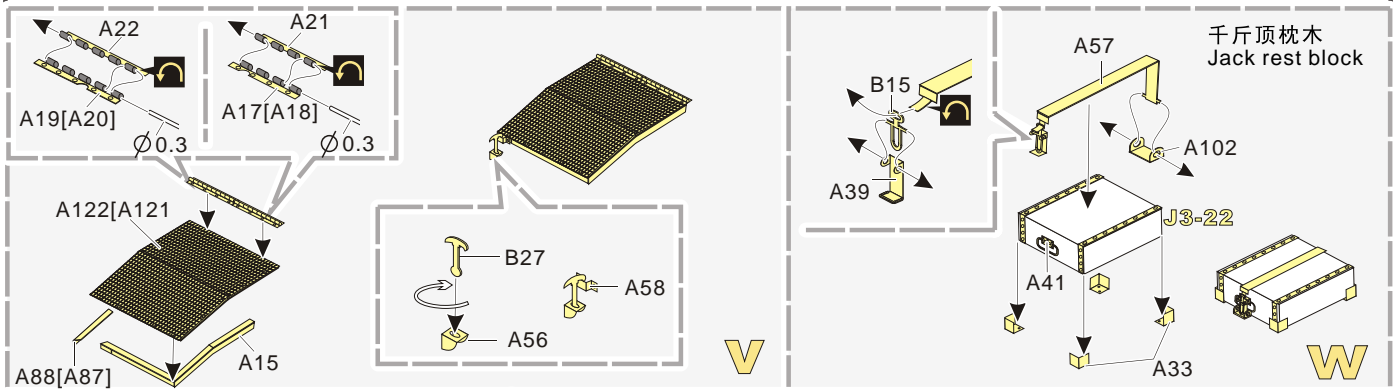
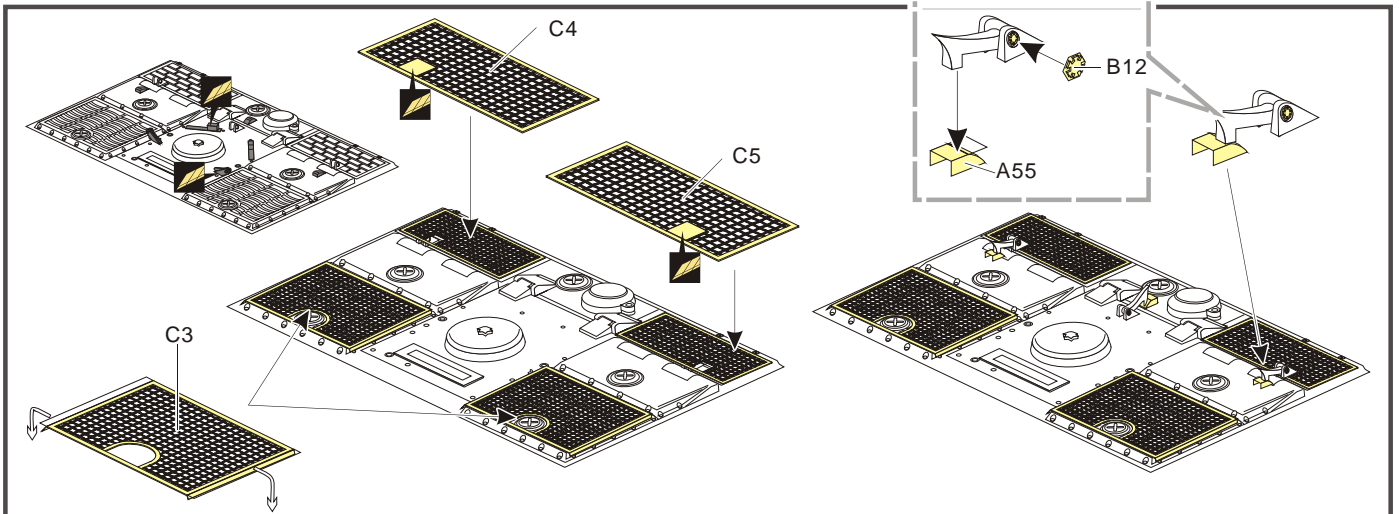
左边 Left

铜丝 Copper wire

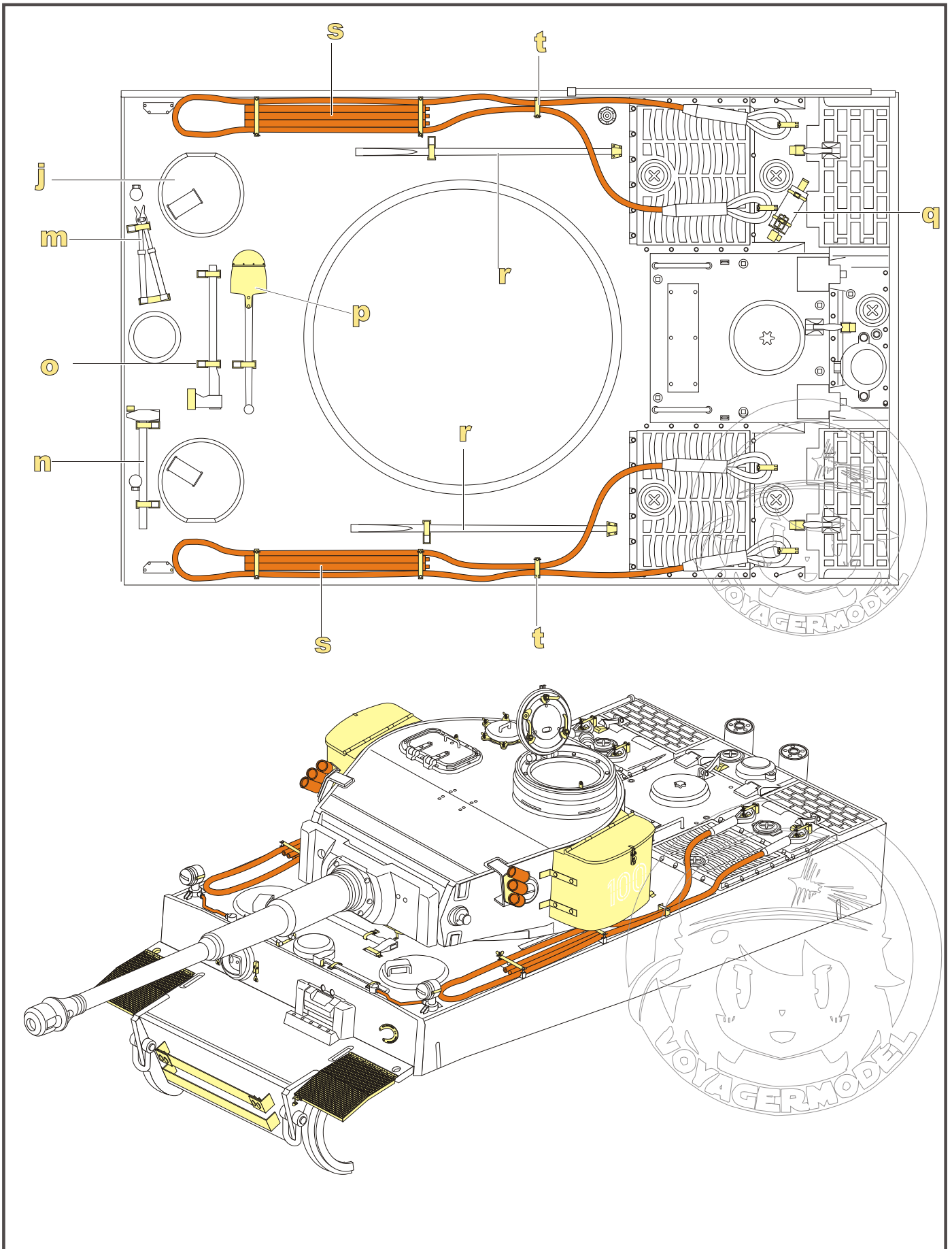
Right

Left

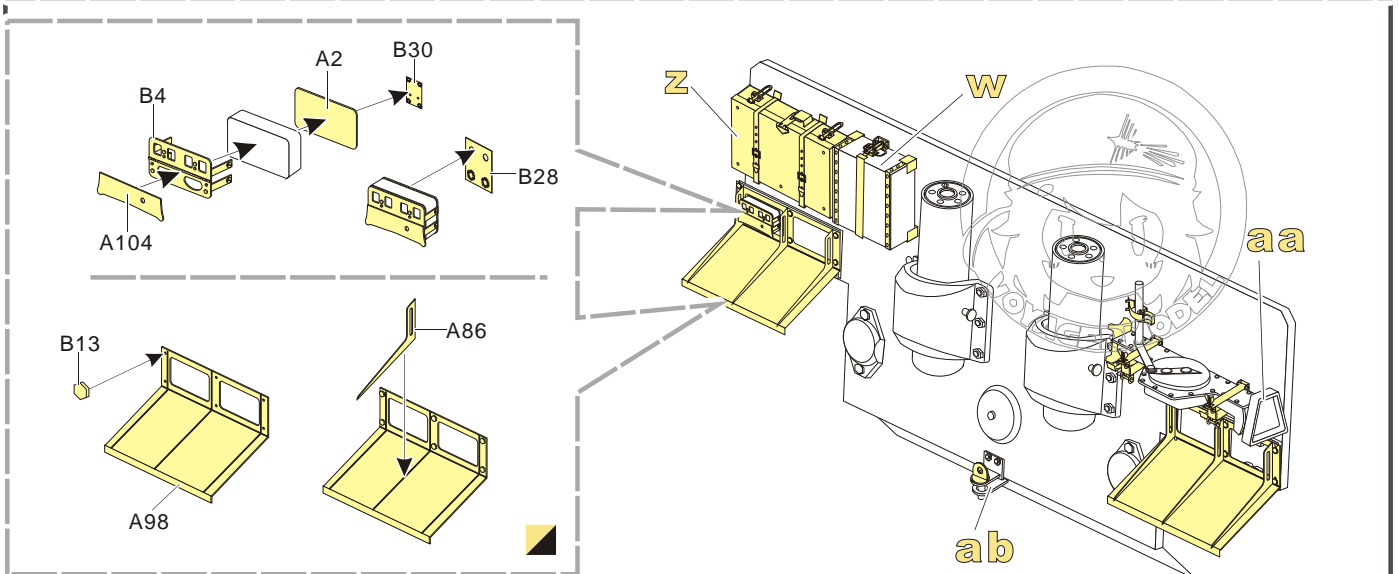
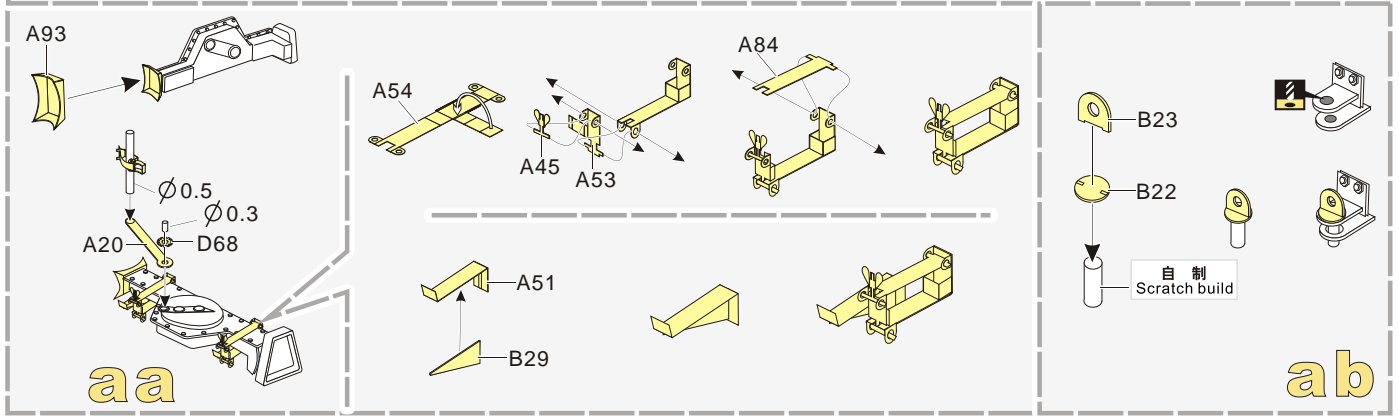
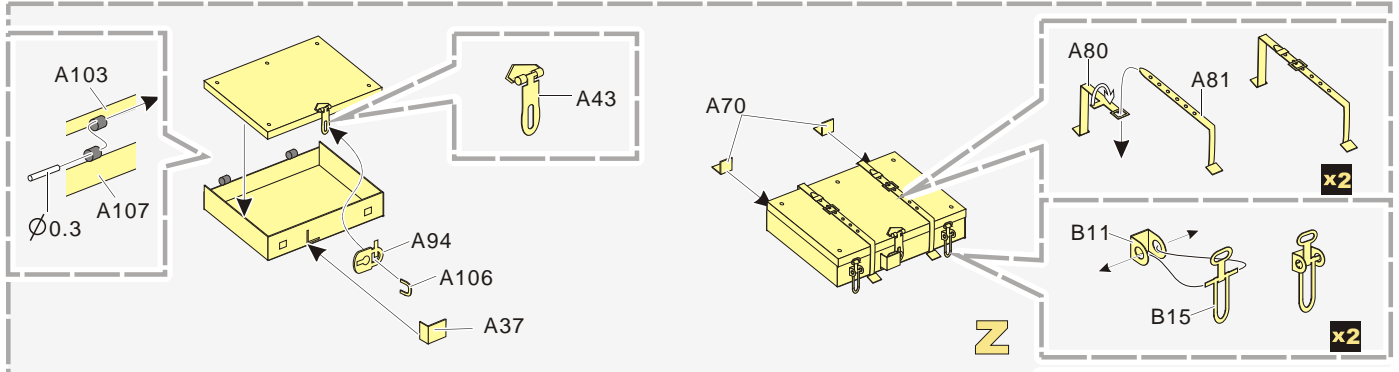
1/35 MILITARY MINIATURE VEHICLE UPGRADE SERIES PE351360



1/35 MILITARY MINIATURE VEHICLE UPGRADE SERIES PE351360



1/35 MILITARY MINIATURE VEHICLE UPGRADE SERIES PE351360



VOYAGERMODEL® 无微不至 极尽享受
The Best Upgrade Solution

Recommended item

VBS0105	WWII German Tiger I Barrel (Early Version)
VBS0111	WWII German Tiger I Barrel (Mid/Late Version)
VBS0211	WWII German Tiger I Barrel (Late Version)
PEA055	WWII German Tiger I Stowage bin
PEA087	WWII German Tiger I Air cleaner
PEA088	WWII Tiger I early Production Demeged Road wheels
PE 35799	WWII German Tiger I Initial Production Afrika korp
PE 35857	WWII German Bergepanzer Tiger I basic
PE 35839	WWII German Tiger I Gruppe "Fehrmann?"
PE 35792	WWII German Tiger I Early Production (s.Pz.Abt.503 Eastern Front 1943)Basic
PE 35771	WWII German Tiger I Early Production Basic(for RFM)
PEA057	WWII German Tiger I Stowage bin w/additional Stowage bin
PEA053	WWII German Tiger I Initial Production No.100 Stowage bins
PEA054	WWII German Tiger I Initial Production No.2 Stowage bin

[Http://www.voyagermodel.com/productdetails.asp?itemid=PE351360](http://www.voyagermodel.com/productdetails.asp?itemid=PE351360)



更多PE351360样品照片参考请扫一扫
MORE PICTUER OF PE 351360
REFERENCE SCAN HERE