

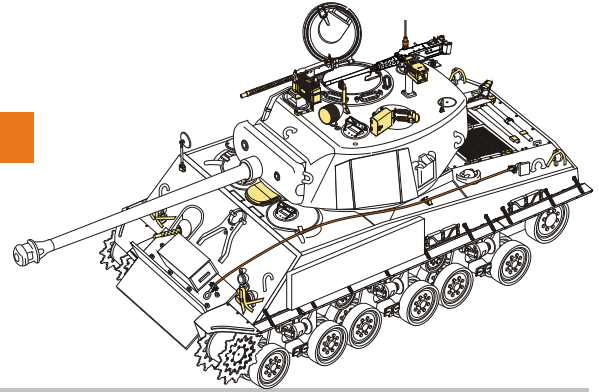
1/35 MILITARY MINIATURE VEHICLE UPGRADE SERIES PE351370

WWII US M4A3E8 HVSS Basic

二战美国M4A3E8 HVSS中型坦克基本改造件

[For DRAGON 6183 9009 9010]

推荐使用工具 RECOMMENDED TOOLS



Technical assistance provided by Mr.ZHONG MINGZHOU

↑ 安装 install

↩ 折叠 bend

A1 改造件零件编号 PE/resin part number

B12 原零件编号 kit part number

C22 被替换的原零件编号 replaced kit part number

↔ 另一侧相同制作 repeat on opposite side

✂ 切除 remove

🔪 打磨 grind off

📏 弧度卷曲 radial bending

✖2 制作若干组 multiple assembly

↔ 选择安装 alternative

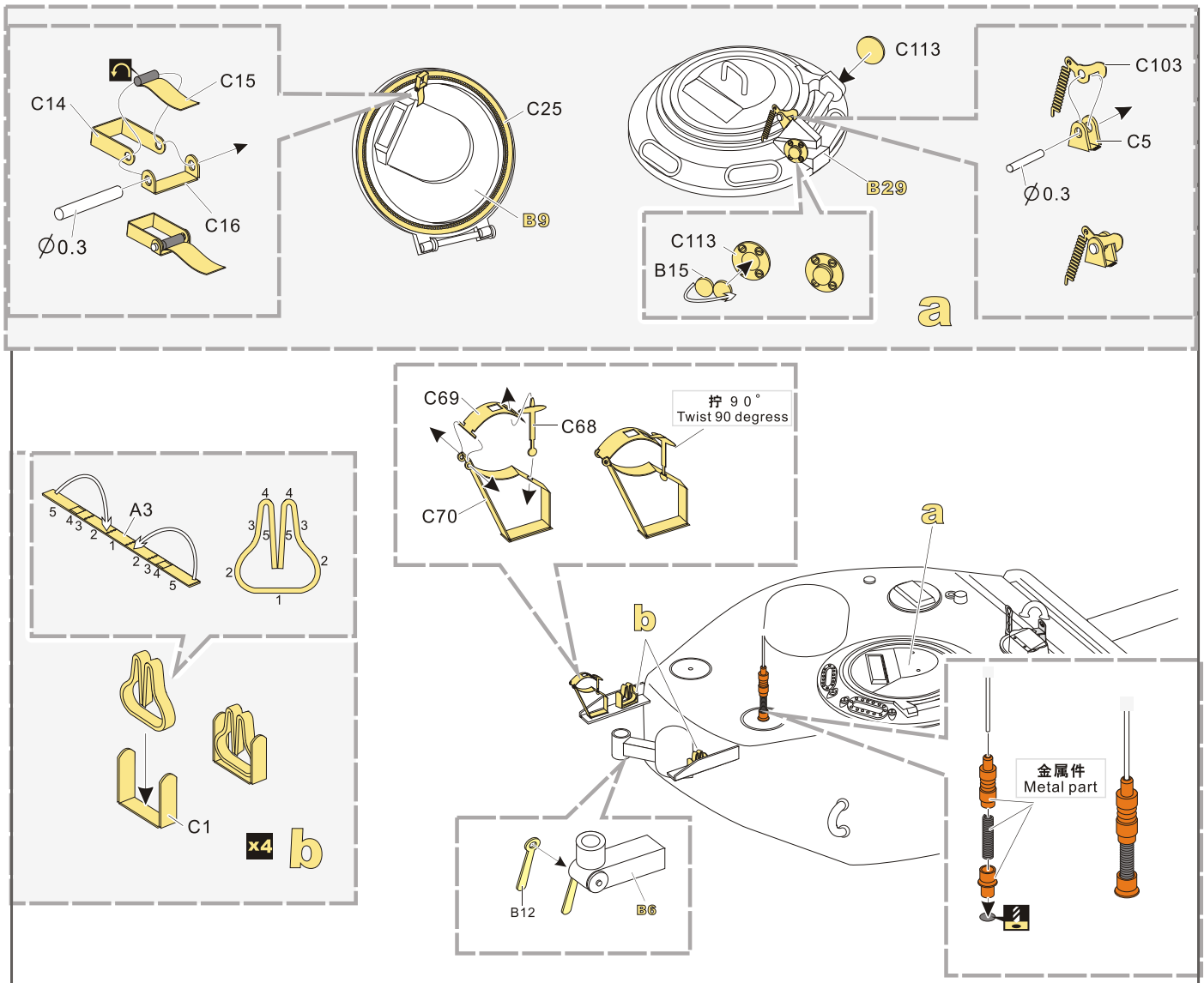
🔧 钻孔 drill

⚠ 注意 caution

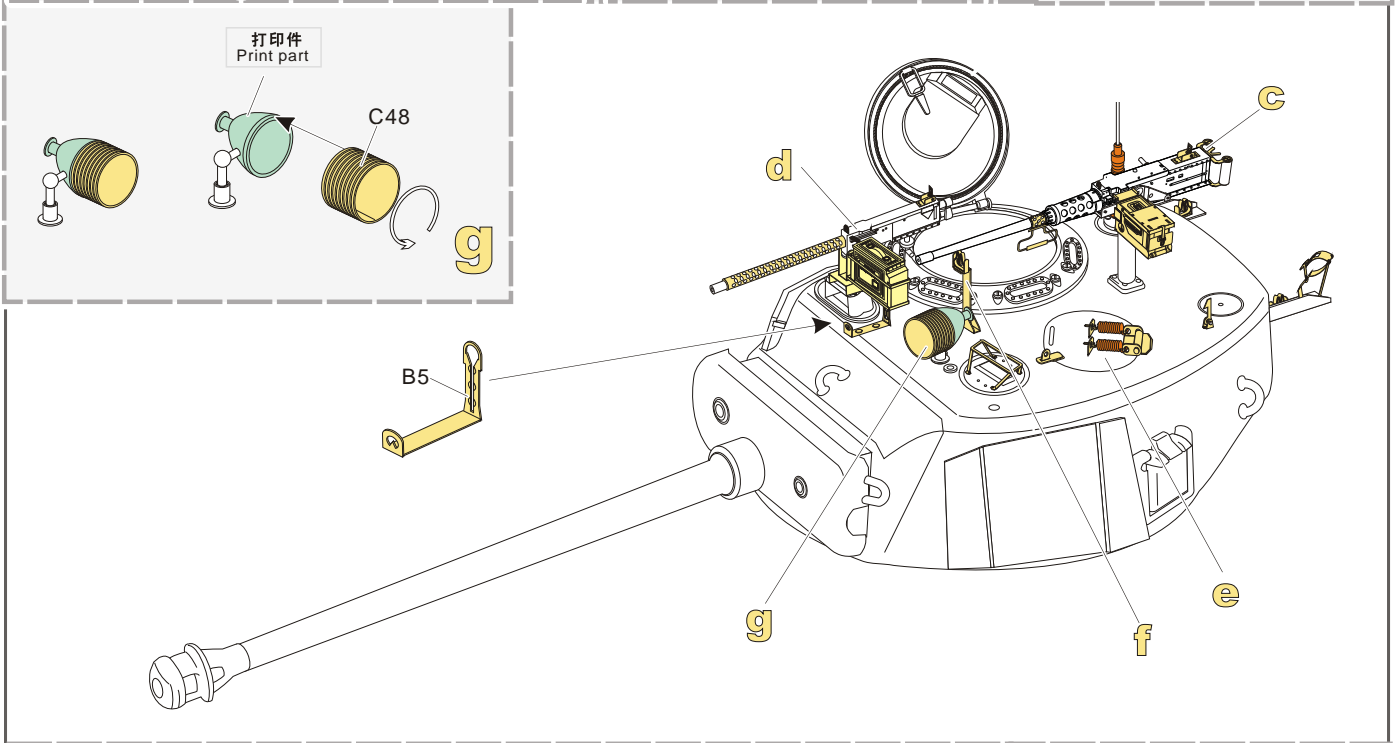
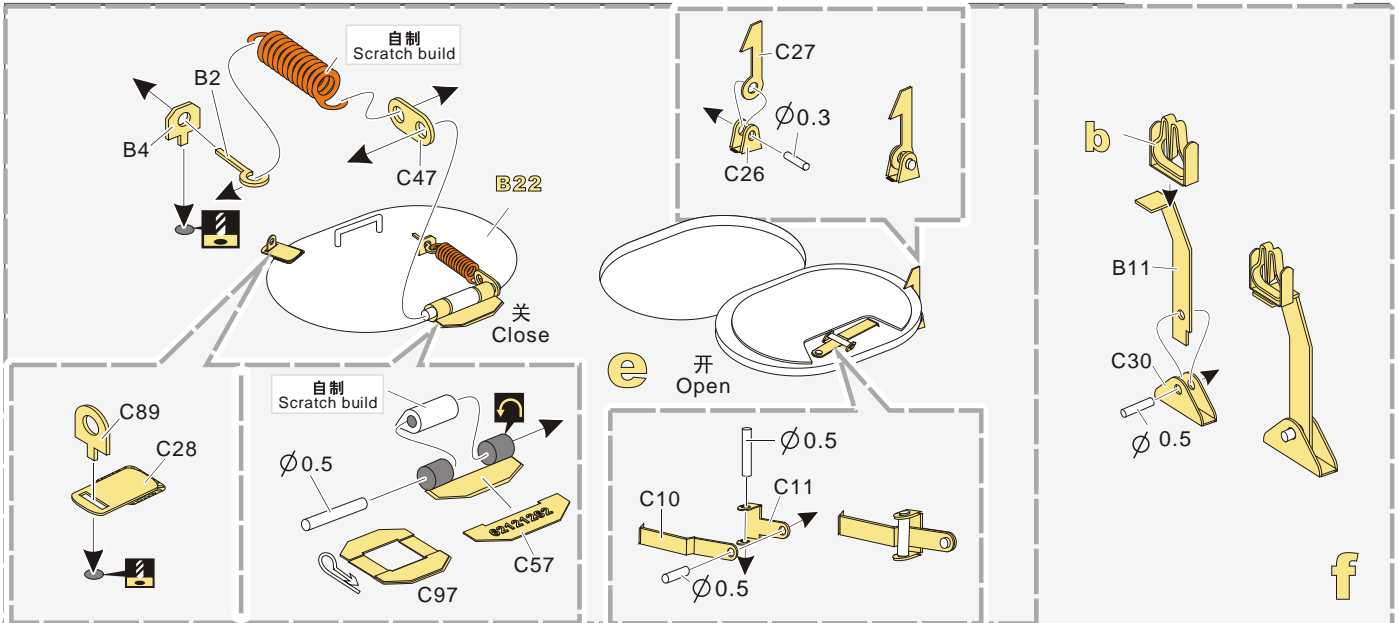
⬇ 用尖端在凹槽处冲压 use penpoint to press on the dent

📄 蚀刻片零件内侧面向上 Put the part upside down

🔪 用笔尖在凹槽处刻 Use penpoint to press on the dent



1/35 MILITARY MINIATURE VEHICLE UPGRADE SERIES PE351370



[Http://www.voyagermodel.com/productdetails.asp?itemid=PE351370](http://www.voyagermodel.com/productdetails.asp?itemid=PE351370)

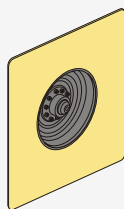
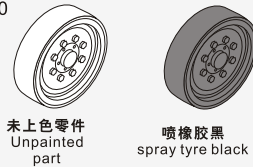


**VOYAGER
MODEL**

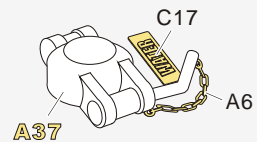
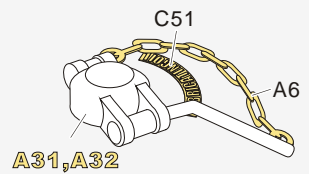


更多PE351370样品照片参考请扫一扫
MORE PICTUER OF PE 351370
REFERENCE SCAN HERE

漏喷板使用说明:
Instruction:

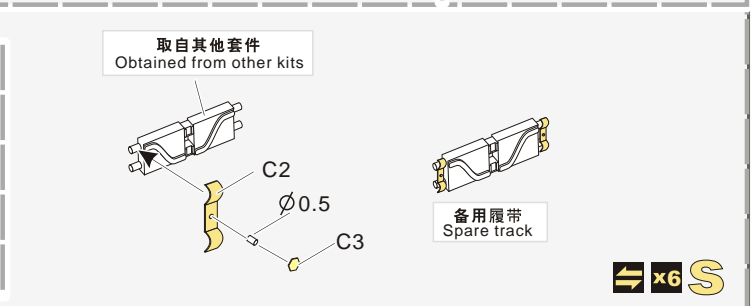
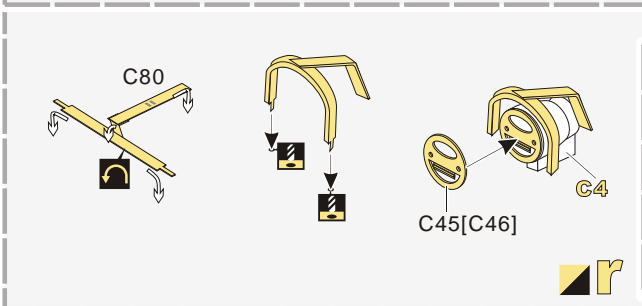
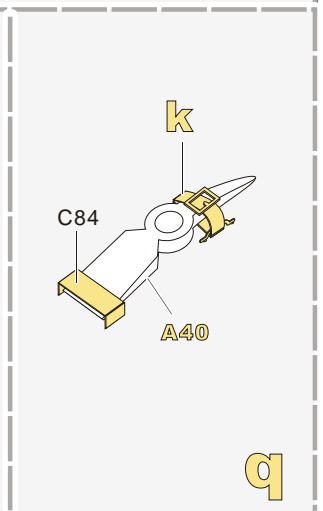
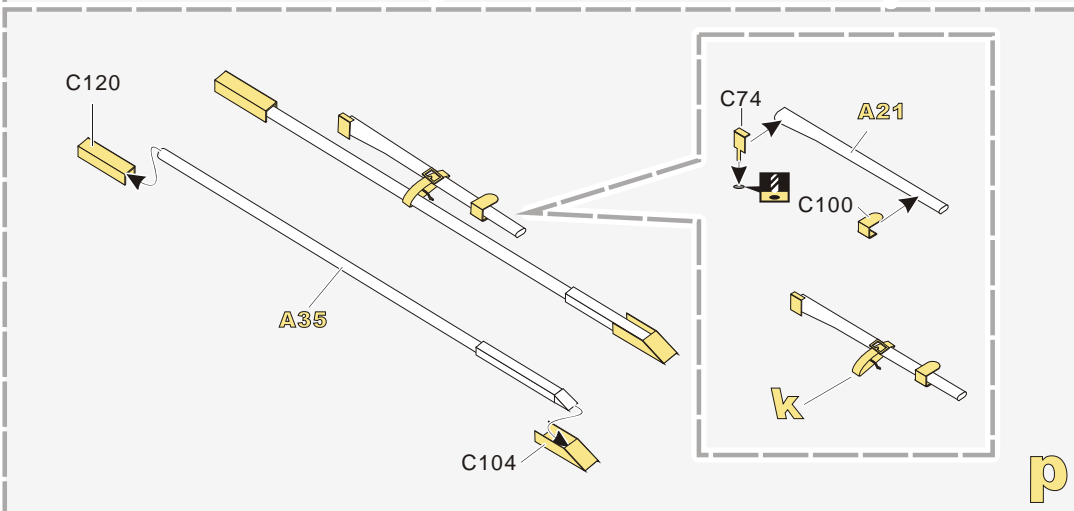
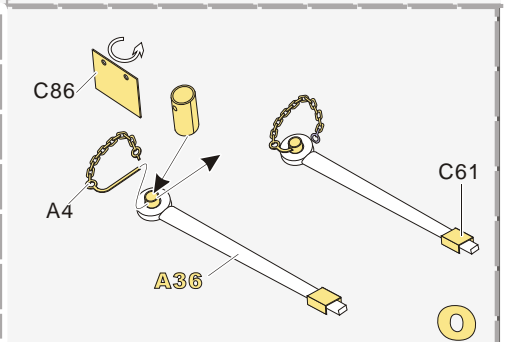
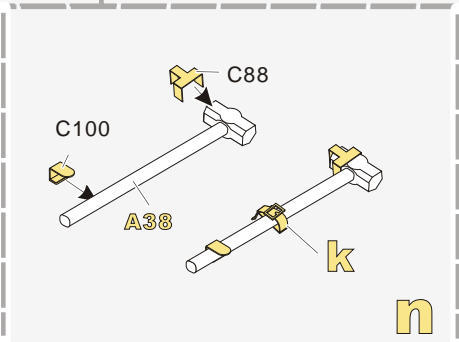
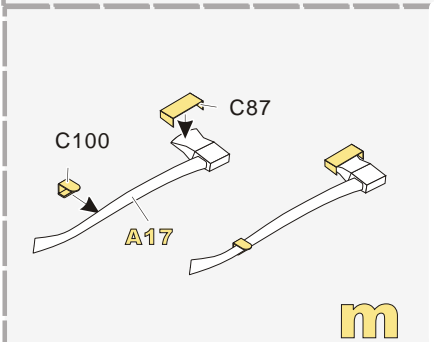
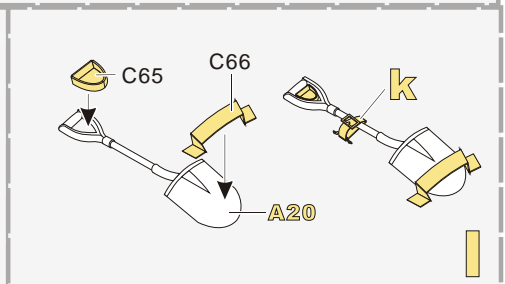
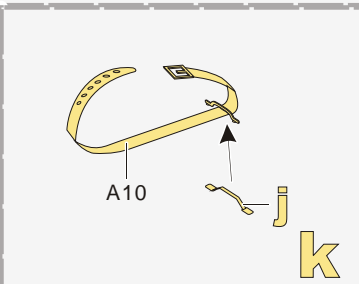
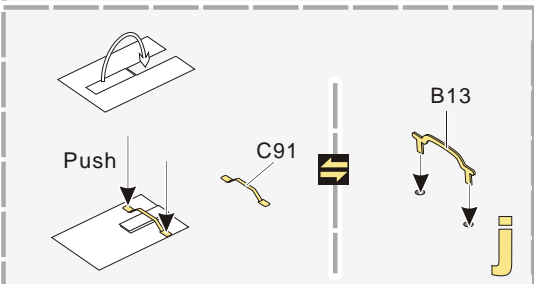
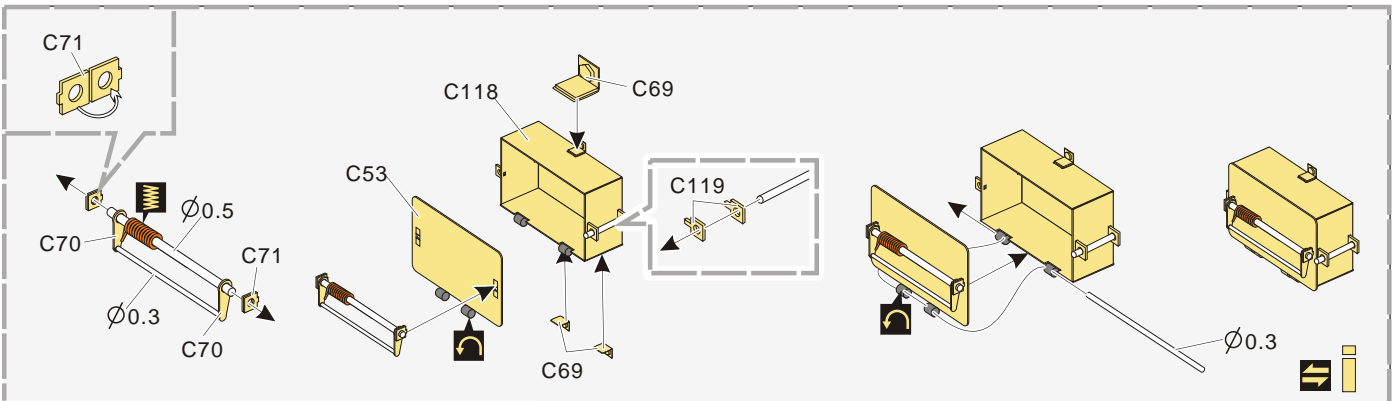


使用漏喷板为轮毂
喷上所需要的颜色
use template to paint
required hub colour

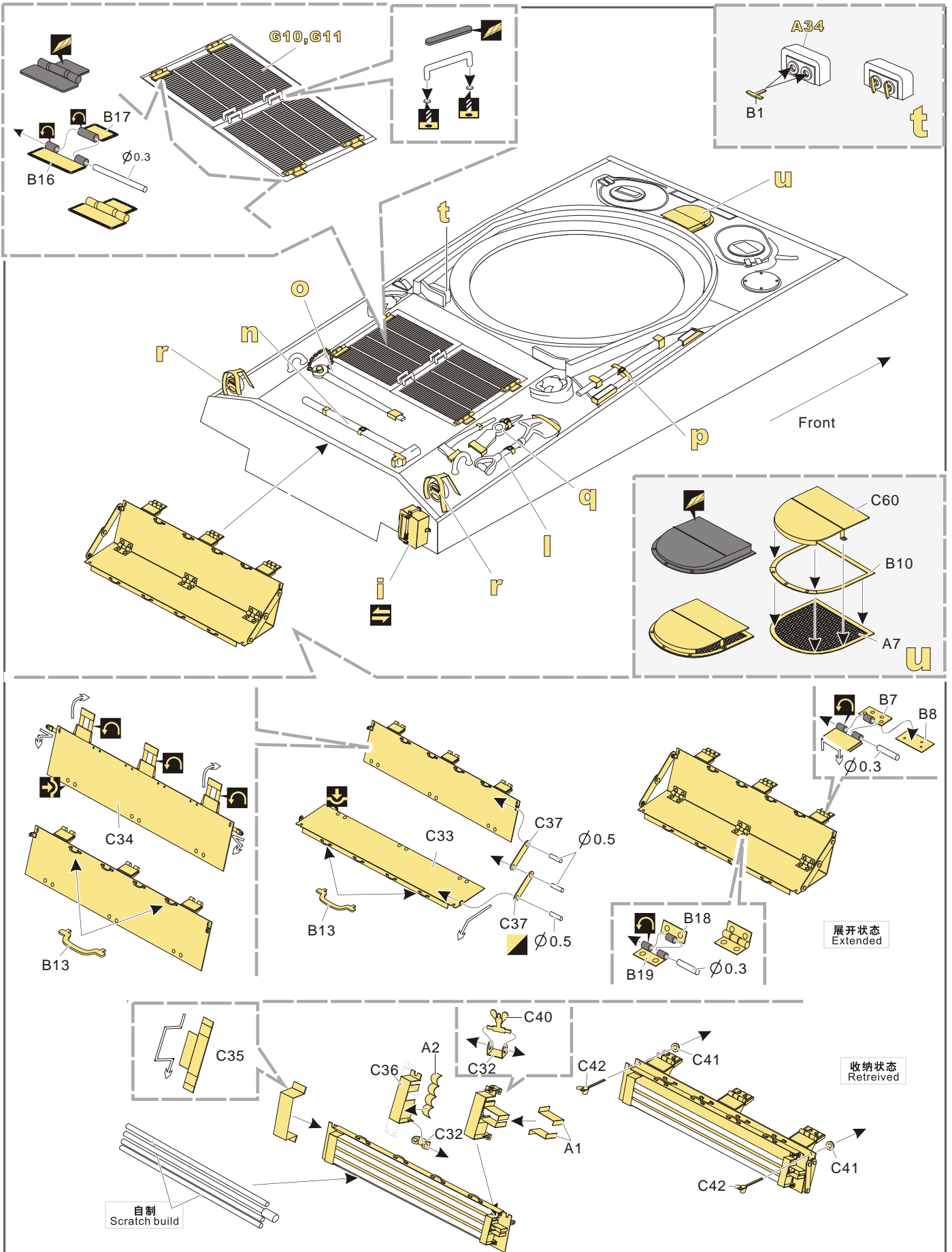


h

1/35 MILITARY MINIATURE VEHICLE UPGRADE SERIES PE351370



1/35 MILITARY MINIATURE VEHICLE UPGRADE SERIES PE351370



展开状态
Extended

收纳状态
Retrieved

自制
Scratch build

1/35 MILITARY MINIATURE VEHICLE UPGRADE SERIES PE351370

V

W x2

X

Y x2

Z

aa

ab

ac

自制 Scratch build

打印件 Print part

铜缆 Copper cable

Ø1.0

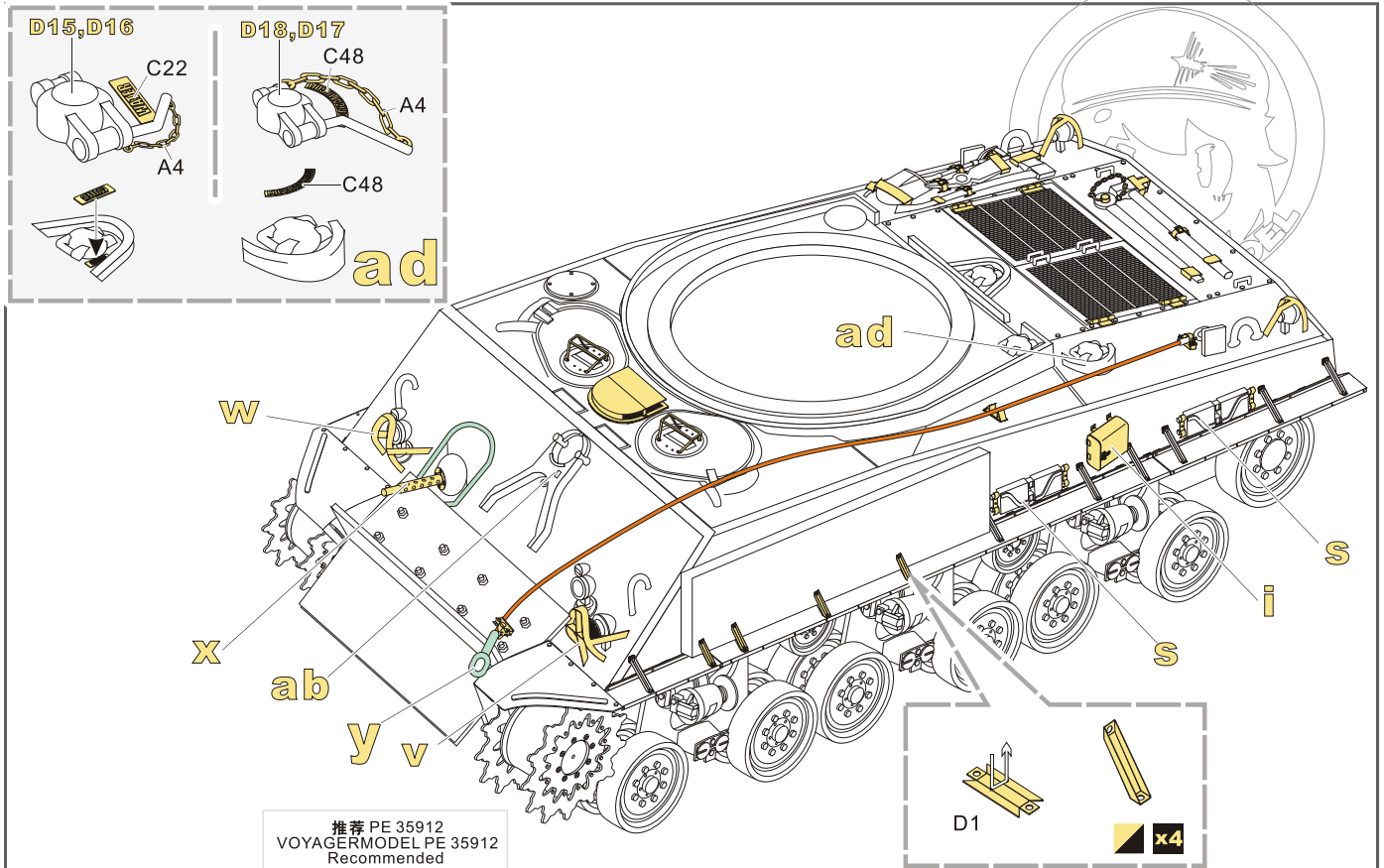
Ø0.3

Front

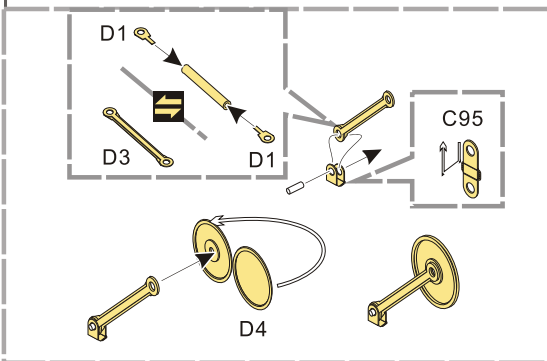
Kit part

TOP

1/35 MILITARY MINIATURE VEHICLE UPGRADE SERIES PE351370



推荐 PE 35912
VOYAGERMODEL PE 35912
Recommended



推荐 VBS0215
VOYAGERMODEL VBS0215
Recommended

VOYAGERMODEL® 无微不至 极尽享受
The Best Upgrade Solution

Recommended item

PE 35751	WWII U.S.Army M36B1 GMC Tank Destory Basic
PE 35752	WWII U.S.Army M4A3 tank series track cover
PE 35135	WW II Skirts for M4A2 Pattern 1
PE 35856	WWII US M10 tank destroyer Basic (Gun barrel , Antenna base include)
PE 35139	WWII US M4A2 /Sherman Mk-III
PE 35911	WWII US M4A3(105mm)HVSS Basic
PE 35912	WWII US M4A3 HVSS Fenders/Track Cover
PE 35811	WWII US M4A3E8 Sherman Fenders/Track Cover
PE 35709	WWII US M4A3E8 Sherman "Easy Eight" Basic
PE 35710	WWII US M4A3E8 Sherman Fenders/Track Cover

VBS0219	Modern US Vehicle Mounted M2 Browning Machine Gun Old Model Patten 2 w/SHIELD
PE 35197	WWII US Army M26 Pershing Tank Basic
PE 35376	WWII US Army T26E4 SuperPershing Tank
PE 35445	WWII US Army T26E4 Super Pershing Tank Basic
PE 351005	WWII US M4A3E8 HVSS Fenders/Track Cover
VBS0215	WWII US Vehicle Mounted M2 Browning Machine Gun Patten 2
PE 35729	Modern US Army M46 Patton Medium Tank Basic
PE 35810	WWII US M4A3E8 Sherman "Easy Eight" Basic