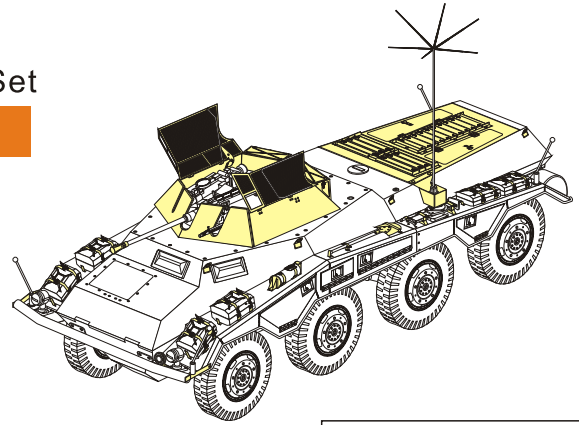


1/35 MILITARY MINIATURE VEHICLE UPGRADE SERIES PE351389

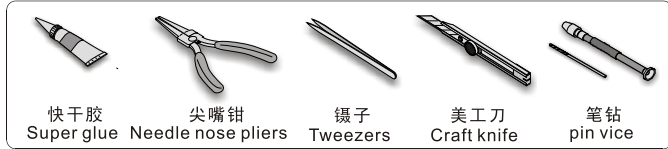
# WWII German Sd.Kfz 234/1 Basic Upgrade Set










## 二战德军Sd.Kfz. 234/1 装甲车改造件


[For RMF 5154]



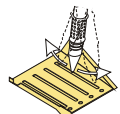
### 推荐使用工具 RECOMMENDED TOOLS



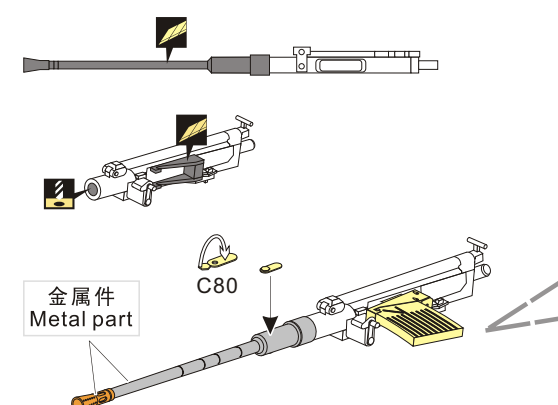
-   
 安装  
install
-   
 折叠  
bend
- A1**  
 改造件零件编号  
PE/resin part number
- B12**  
 原零件编号  
kit part number
- C22**  
 被替换的原零件编号  
replaced kit part number
-   
 另一侧相同制作  
repeat on opposite side
-   
 切除  
remove
-   
 打磨  
grind off
-   
 弧度卷曲  
radial bending
- x2**  
 制作若干组  
multiple assembly
-   
 选择安装  
alternative
-   
 钻孔  
drill
-   
 用胶棒制作  
make from plastic rod

  
 用尖端在凹槽处冲压  
use penpoint to press on the dent

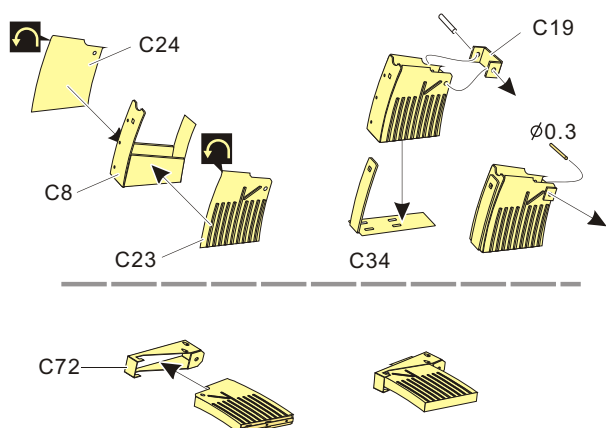
蚀刻片零件内侧面向上  
Put the part upside down  
 用笔尖在凹槽处刺  
Use penpoint to press on the dent

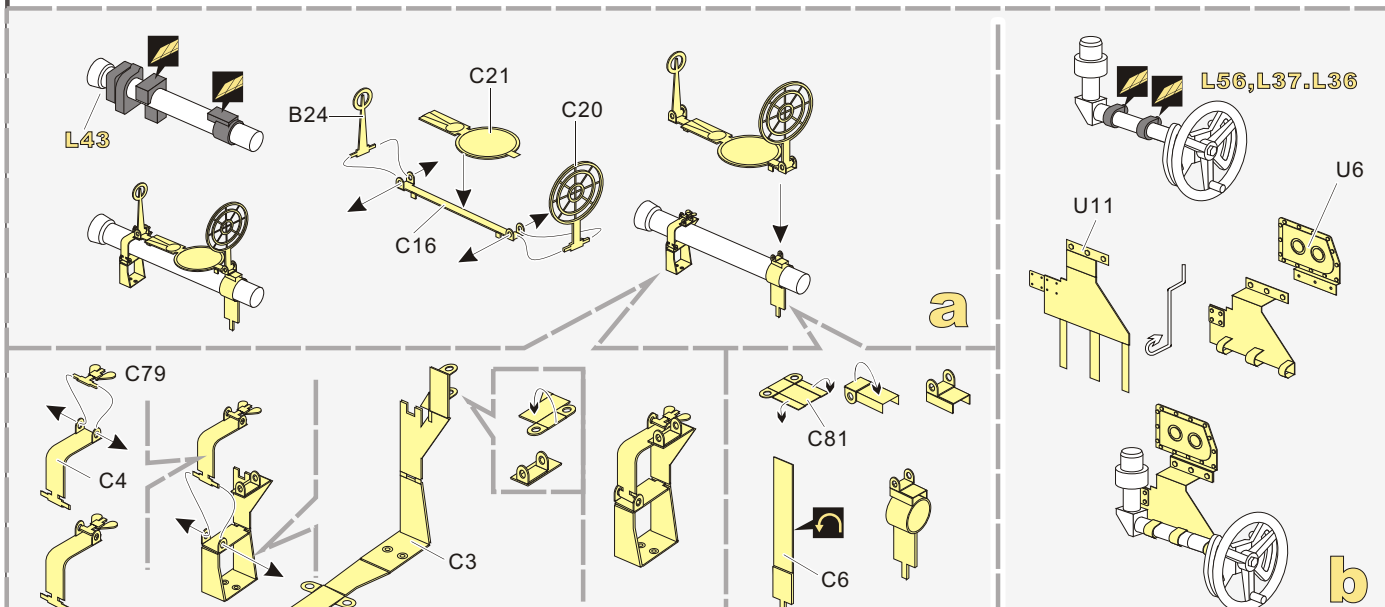


**THE STEPS IN THE BLACK BOX APPLY FOR PE351433 BVERSION**  
**黑框内的步骤仅适用于PE351433 B版本**

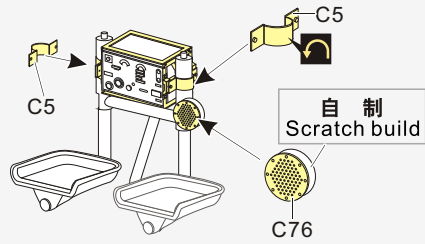
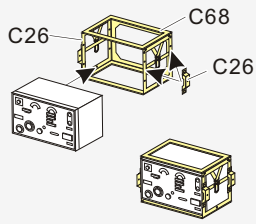
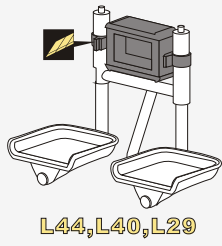


金属件  
Metal part

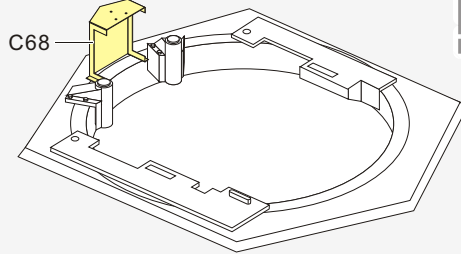
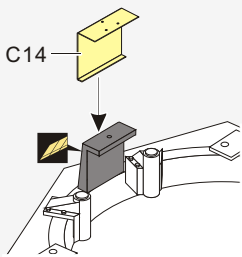
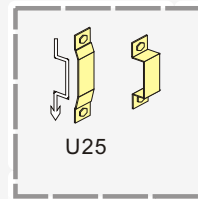
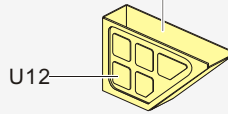
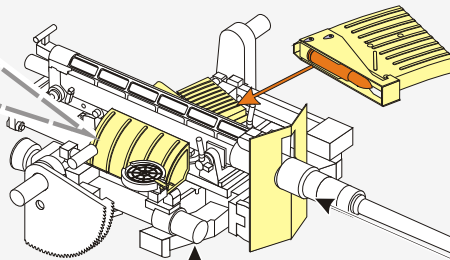
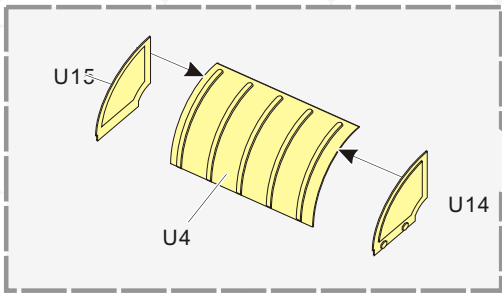




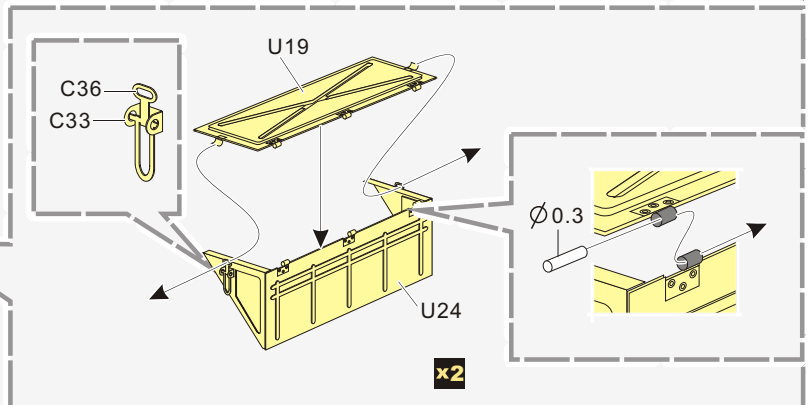
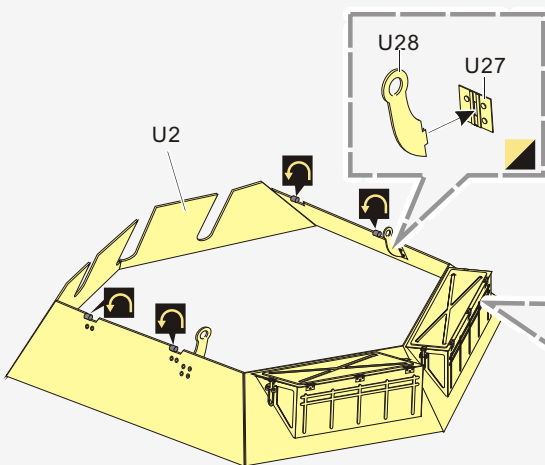
1/35 MILITARY MINIATURE VEHICLE UPGRADE SERIES PE351389



C

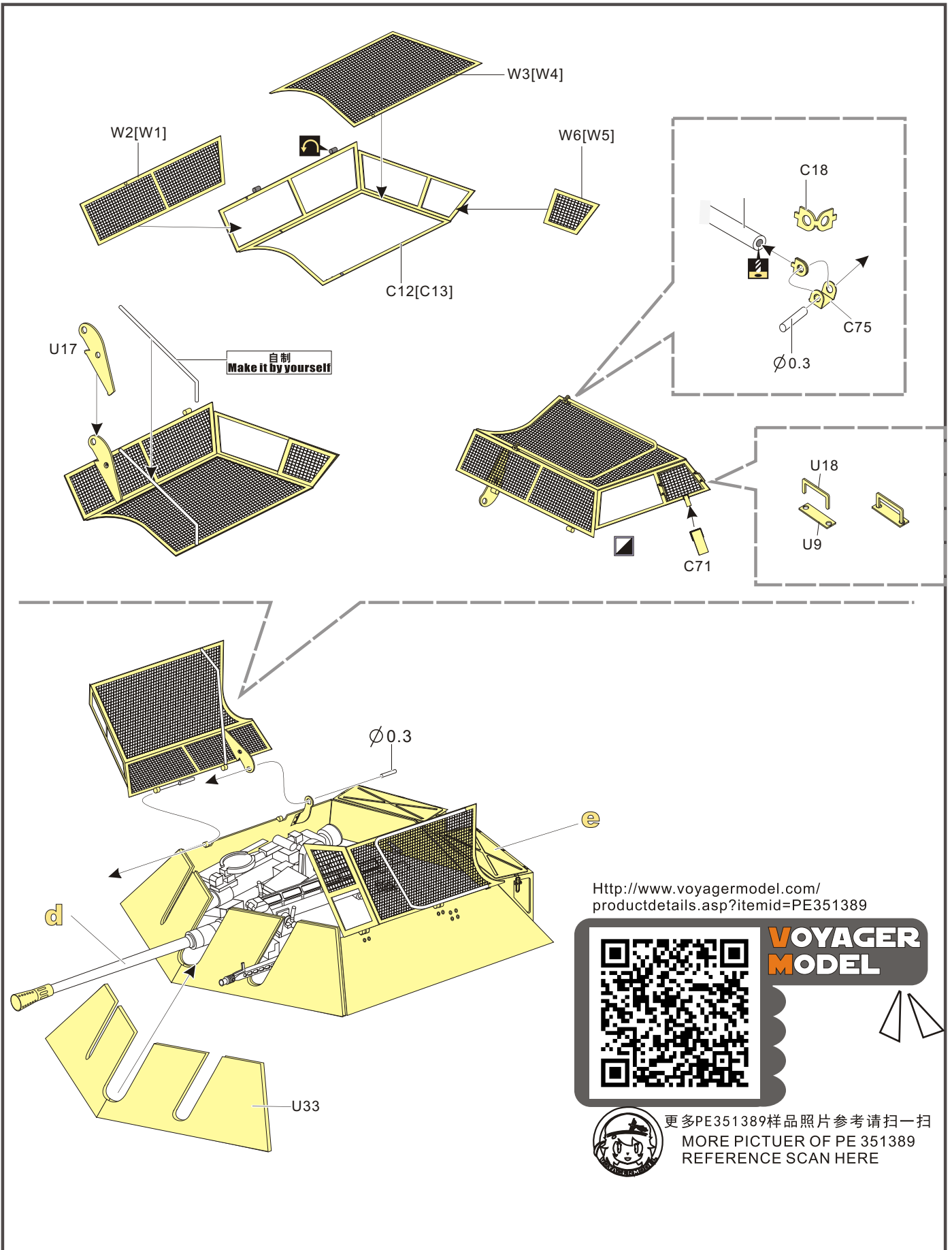


d



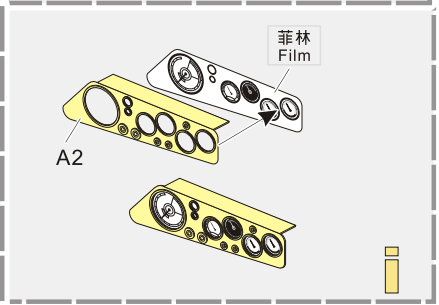
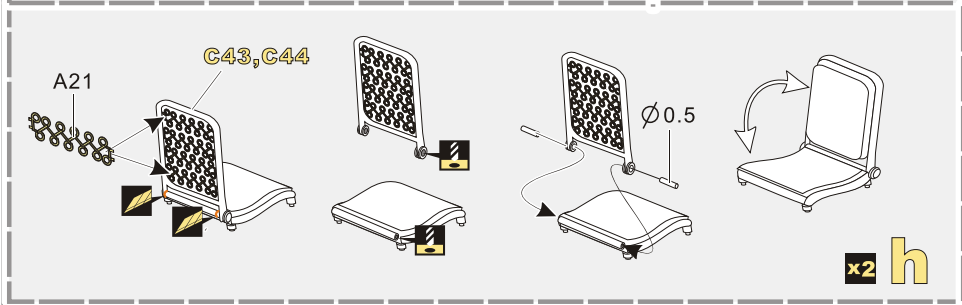
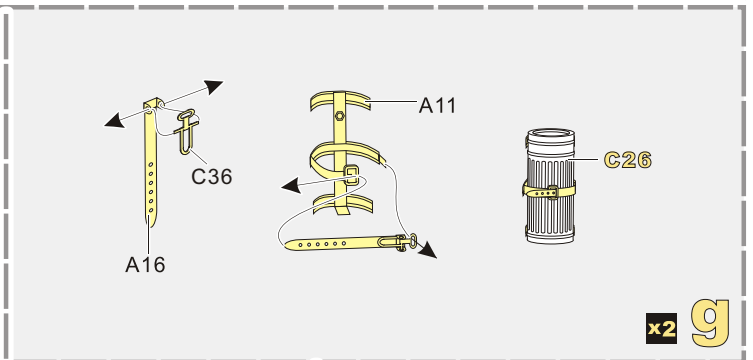
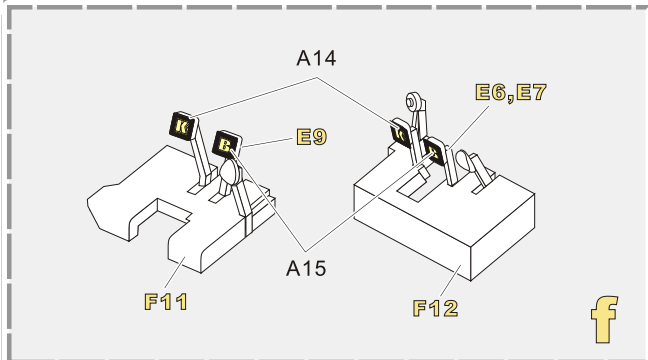
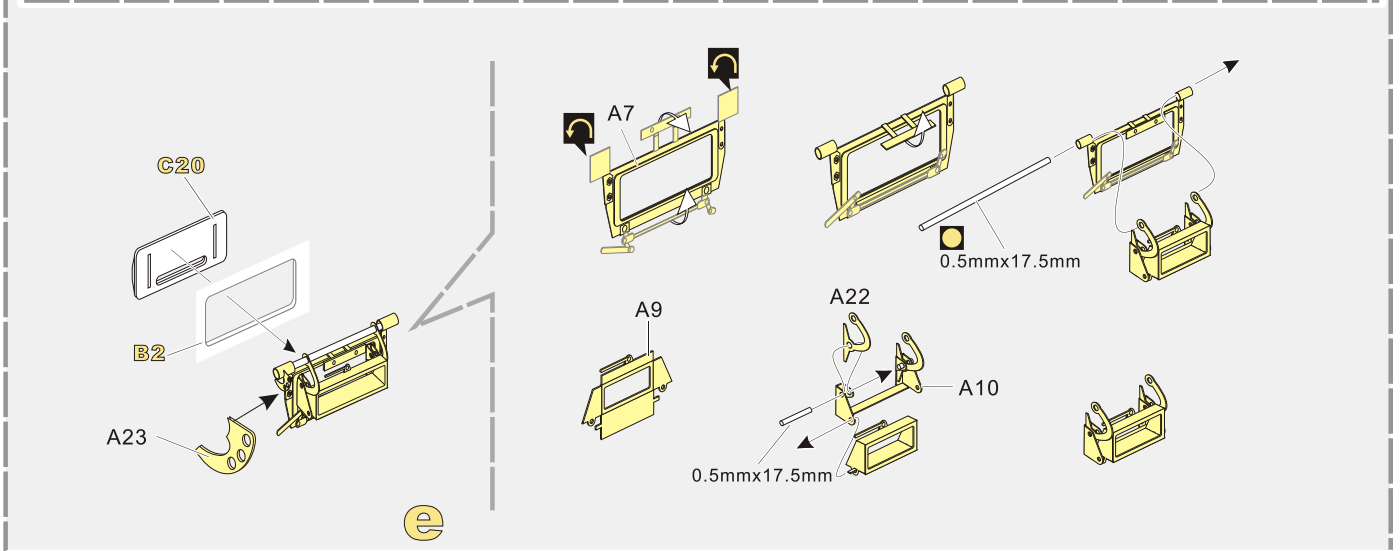
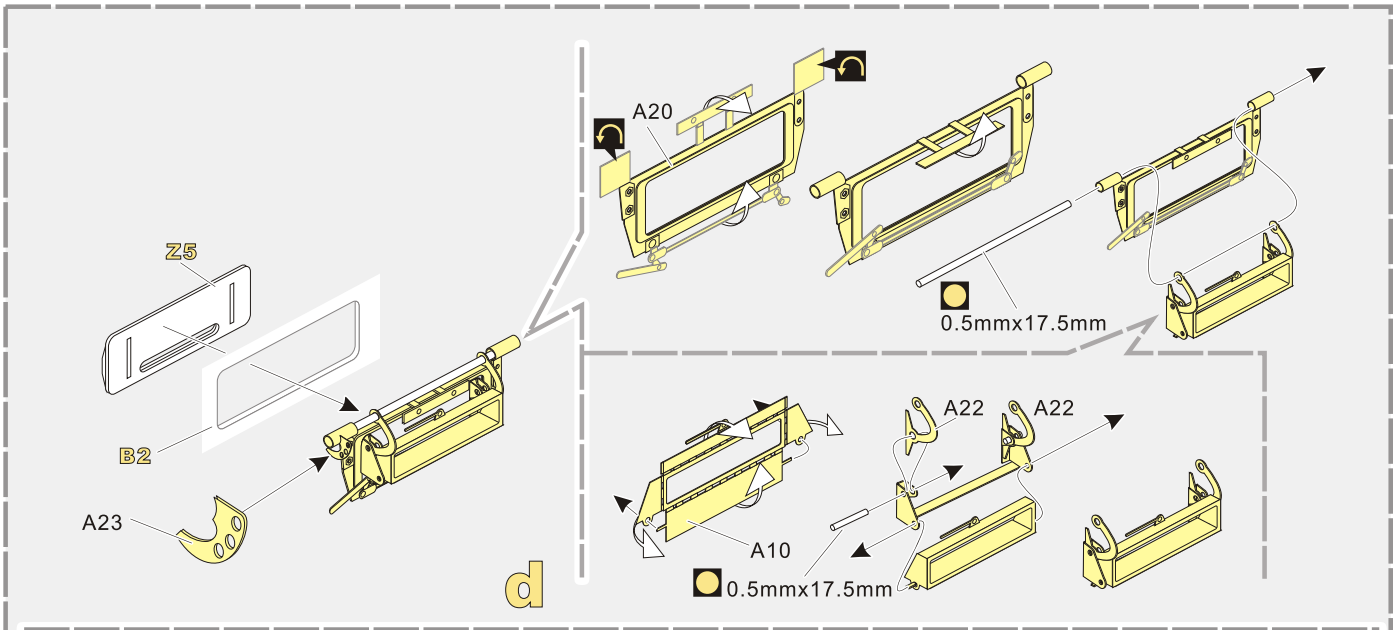
e

1/35 MILITARY MINIATURE VEHICLE UPGRADE SERIES PE351389

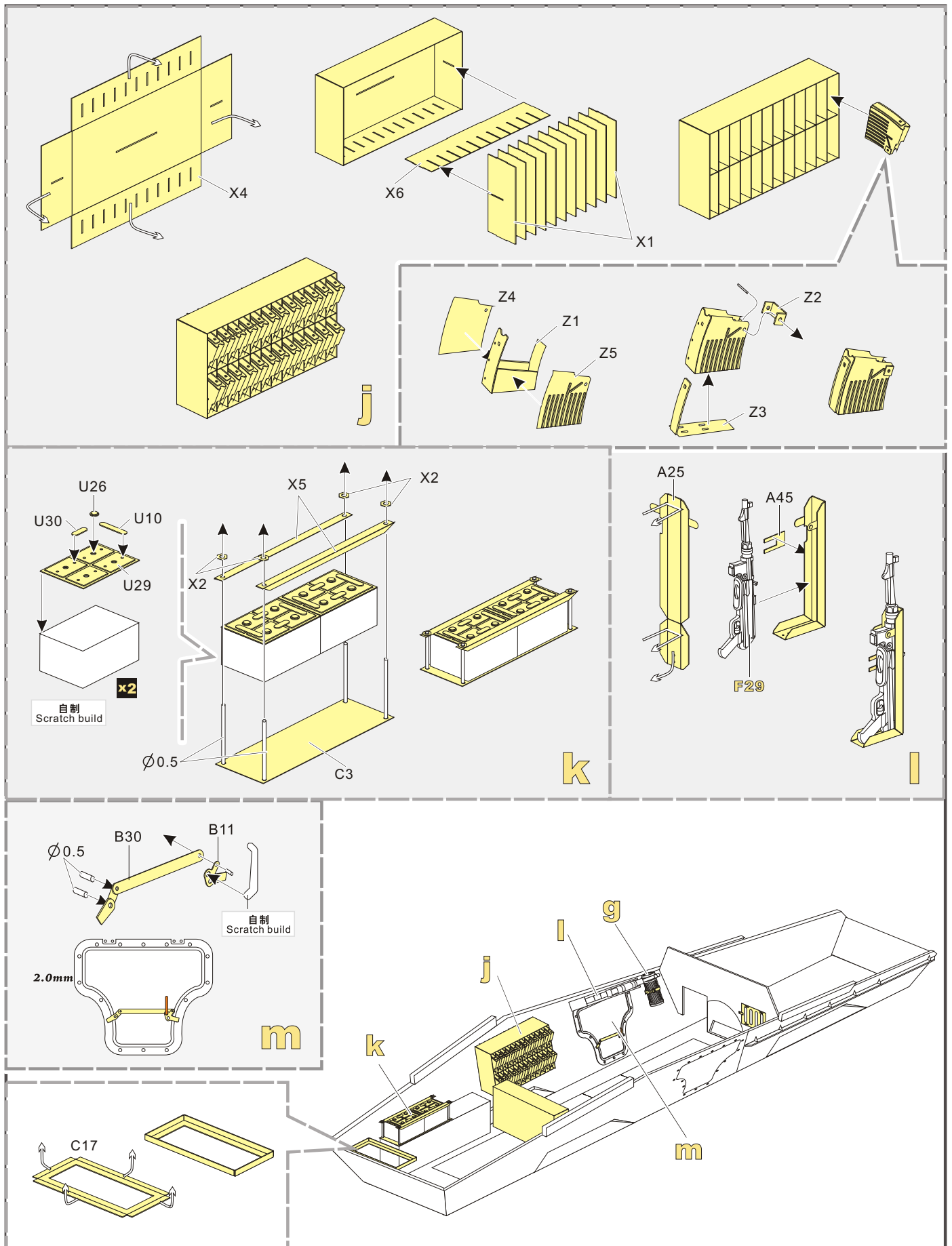




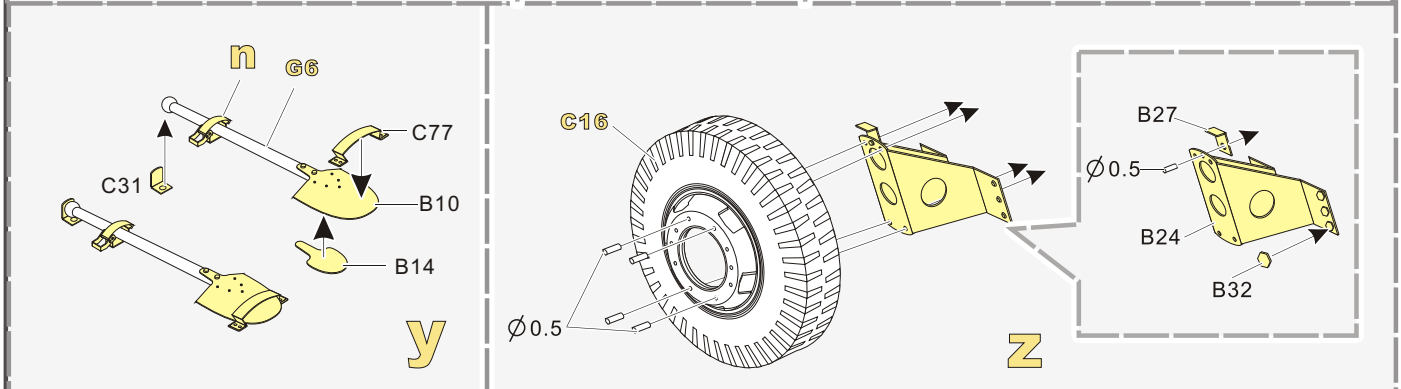
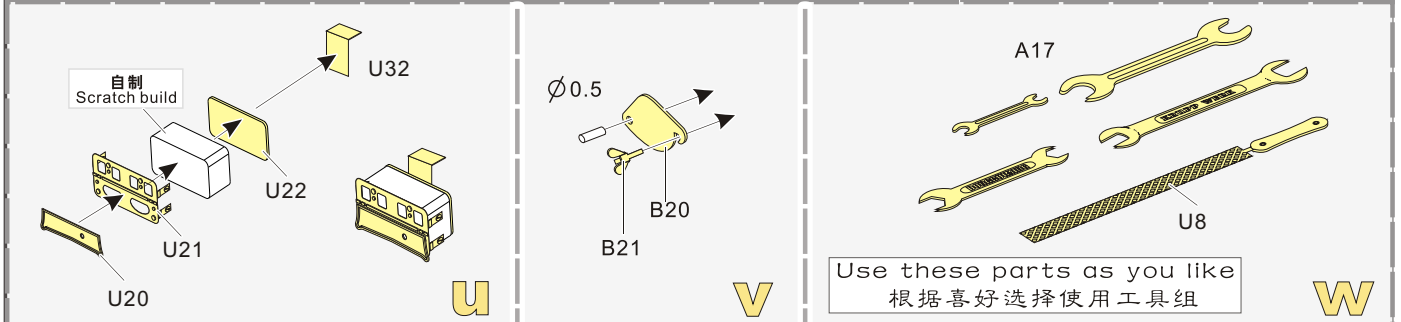
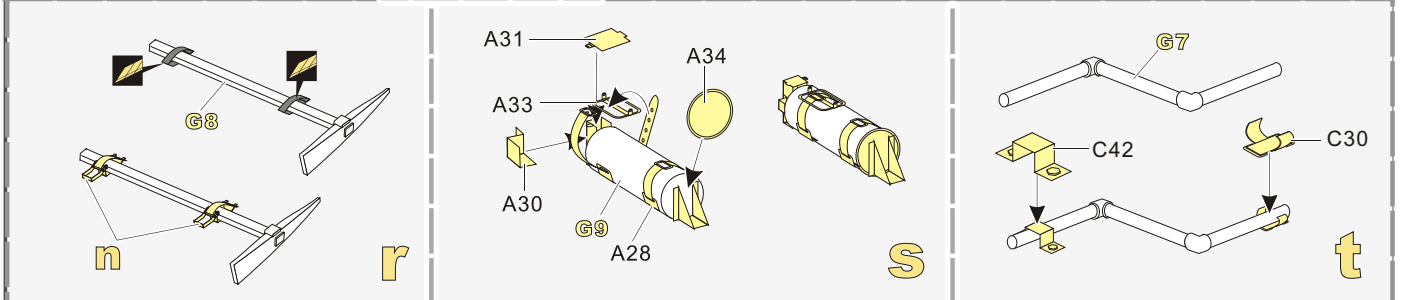
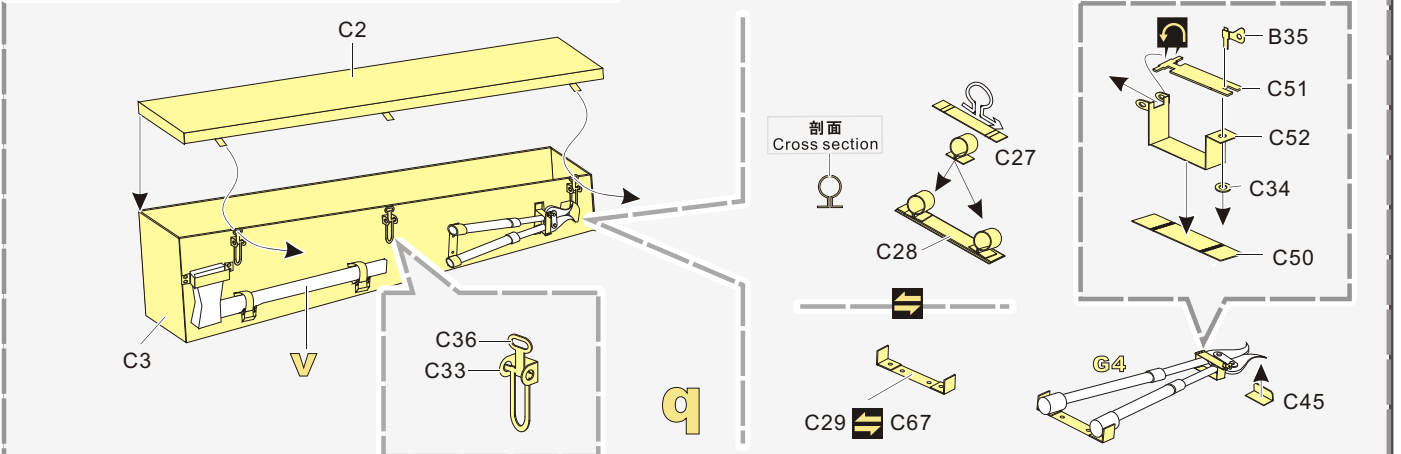
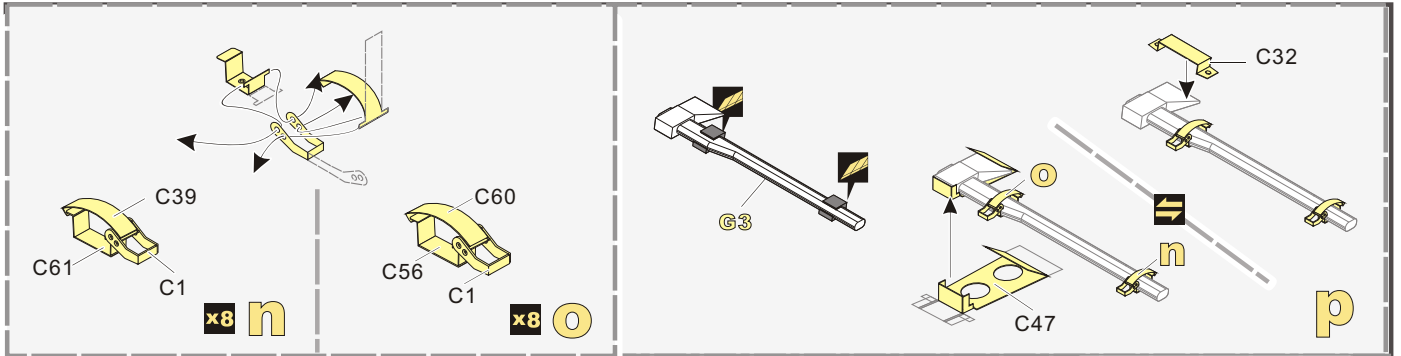
1/35 MILITARY MINIATURE VEHICLE UPGRADE SERIES PE351389



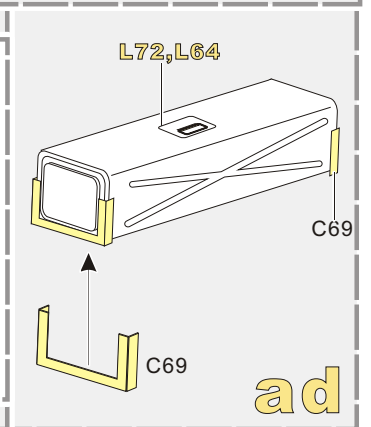
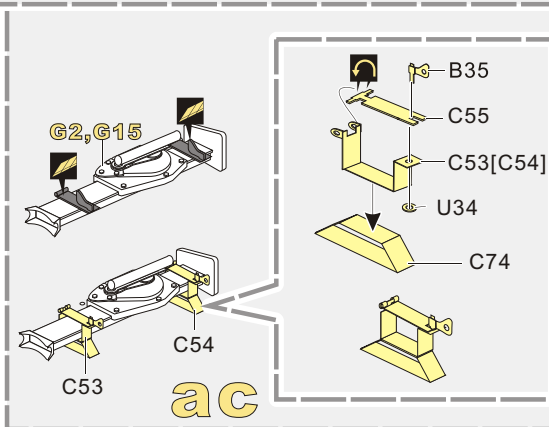
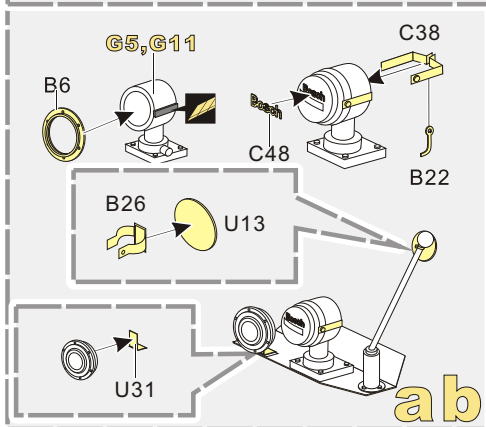
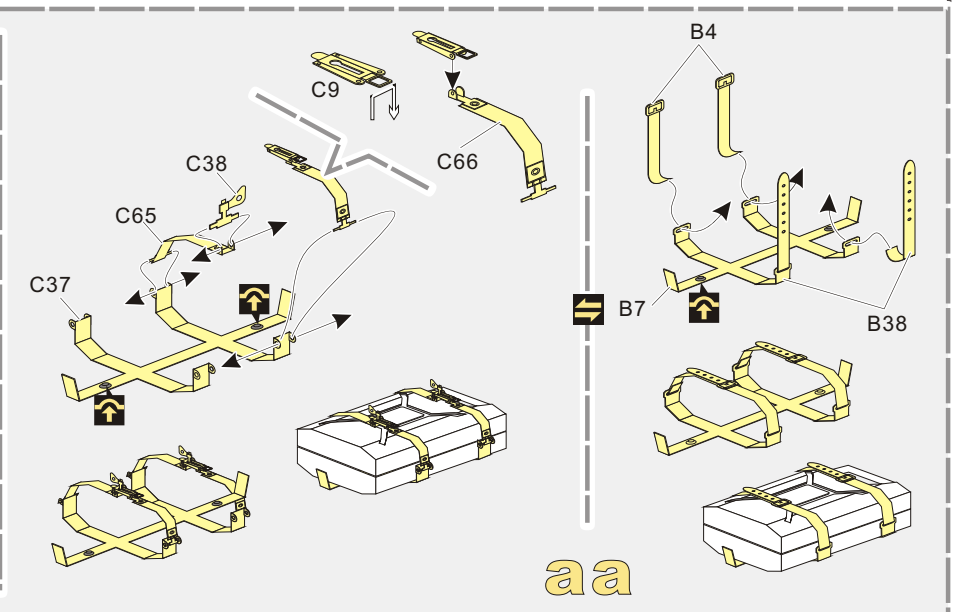
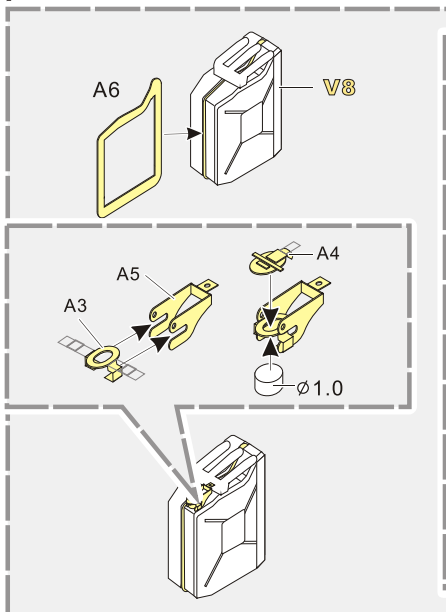
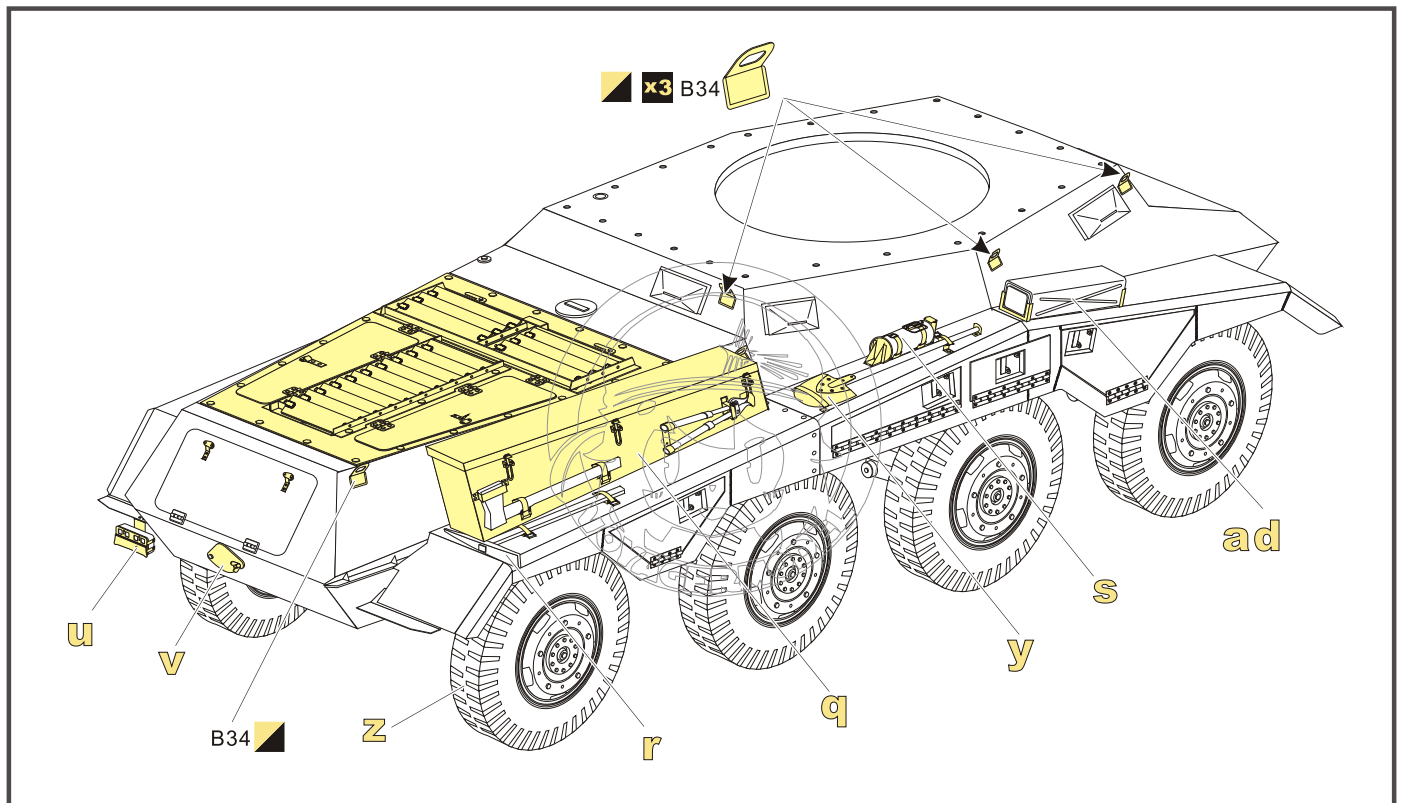
1/35 MILITARY MINIATURE VEHICLE UPGRADE SERIES PE351389



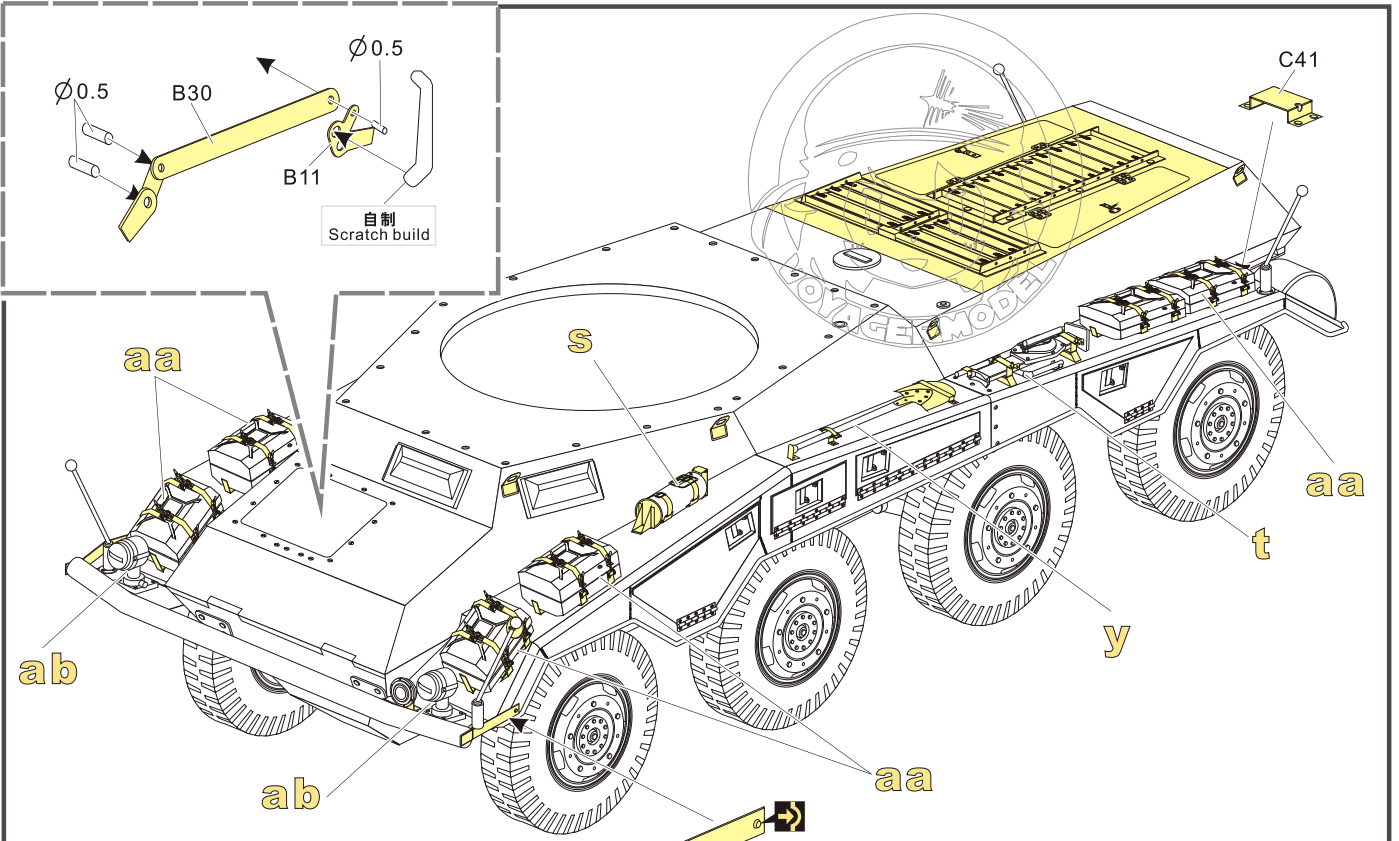
1/35 MILITARY MINIATURE VEHICLE UPGRADE SERIES PE351389



1/35 MILITARY MINIATURE VEHICLE UPGRADE SERIES PE351389



1/35 MILITARY MINIATURE VEHICLE UPGRADE SERIES PE351389

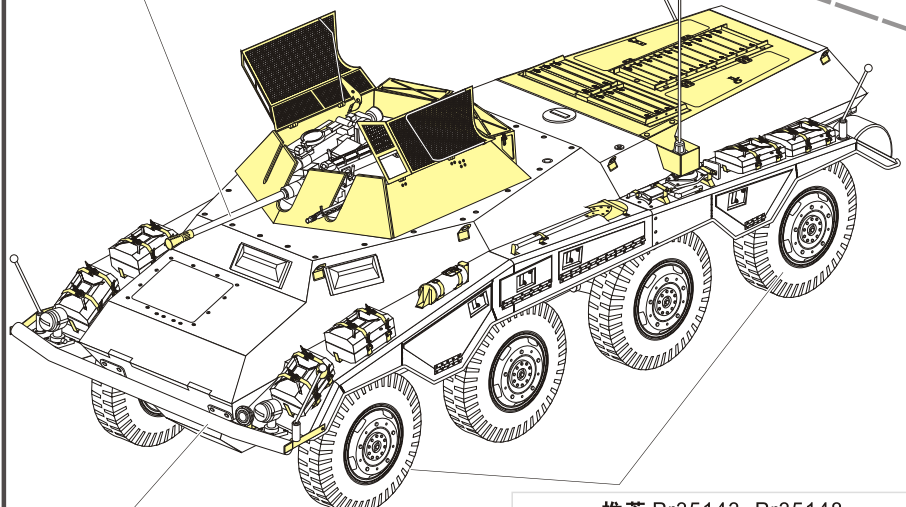


**VOYAGERMODEL®** 无微不至 极尽享受  
The Best Upgrade Solution

Recommended item

PE 351301	WWII German Sd.Kfz 234 storage box early version
PE 351306	WWII German Sd.Kfz 234/4
PE 351302	WWII German Sd.Kfz 234 storage box late version
PE 351311	WWII German Sd.Kfz 234/2 PUMA Basic Upgrade Set
PE 351327	WWII German Sd.Kfz 234/2 PUMA w/Luchs Turret Basic Upgrade Set
PE 351300	WWII German Sd.Kfz 234/2 PUMA Basic Upgrade Set
PE 351306	WWII German Sd.Kfz 234/4 Basic Upgrade Set
PE 351313	WWII German Sd.Kfz 234/3 Basic Upgrade Set
PE 351389	WWII German Sd.Kfz 234/1 Basic Upgrade Set

推荐 VBS 0139 VBS0140  
VOYAGERMODEL VBS0139 VBS0140  
Recommended



推荐 PE 351301或 PE 351302  
VOYAGERMODEL PE 351301 or PE 351302  
Recommended

推荐 Pr35143~Pr35148  
VOYAGERMODEL Pr35143~Pr35148  
Recommended

