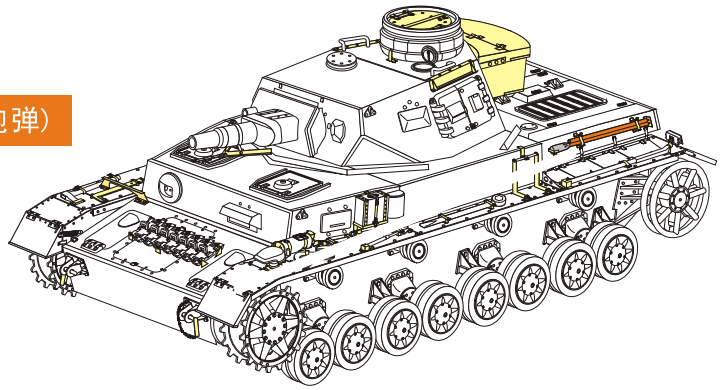


1/35 MILITARY MINIATURE VEHICLE UPGRADE SERIES PE351393

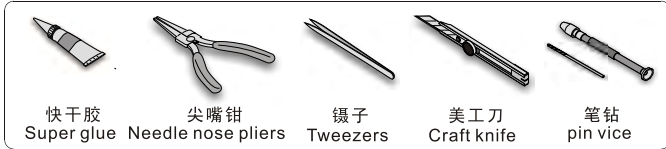
WWII German Pz.Kpfw.IV Ausf.F1 Basic (B ver included Ammo)

二战德军IV号坦克F1型基本改造件(B版本含炮弹)

[For DRAGON 6315 9044 6975]



■ 推荐使用工具 RECOMMENDED TOOLS



快干胶 Super glue 尖嘴钳 Needle nose pliers 镊子 Tweezers 美工刀 Craft knife 笔钻 pin vice

↑ 安装 install
 ↩ 折叠 bend
 A1 改造件零件编号 PE/resin part number
 B12 原零件编号 kit part number
 C22 被替换的原零件编号 replaced kit part number
 ↔ 另一侧相同制作 repeat on opposite side

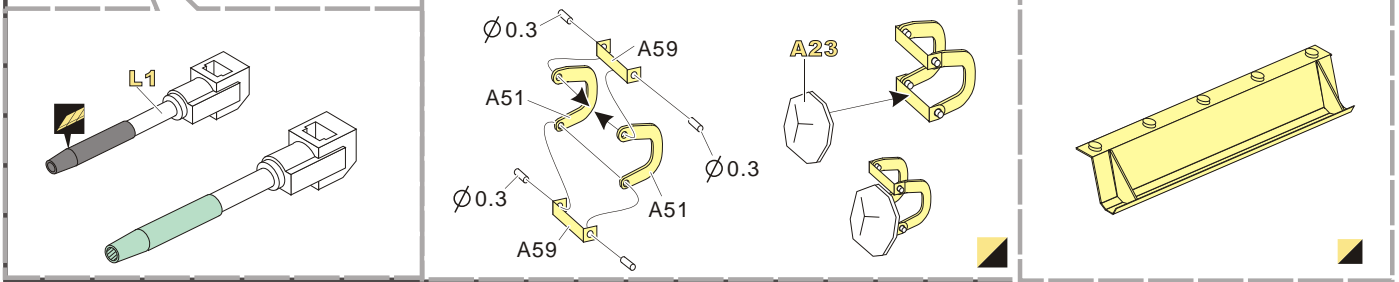
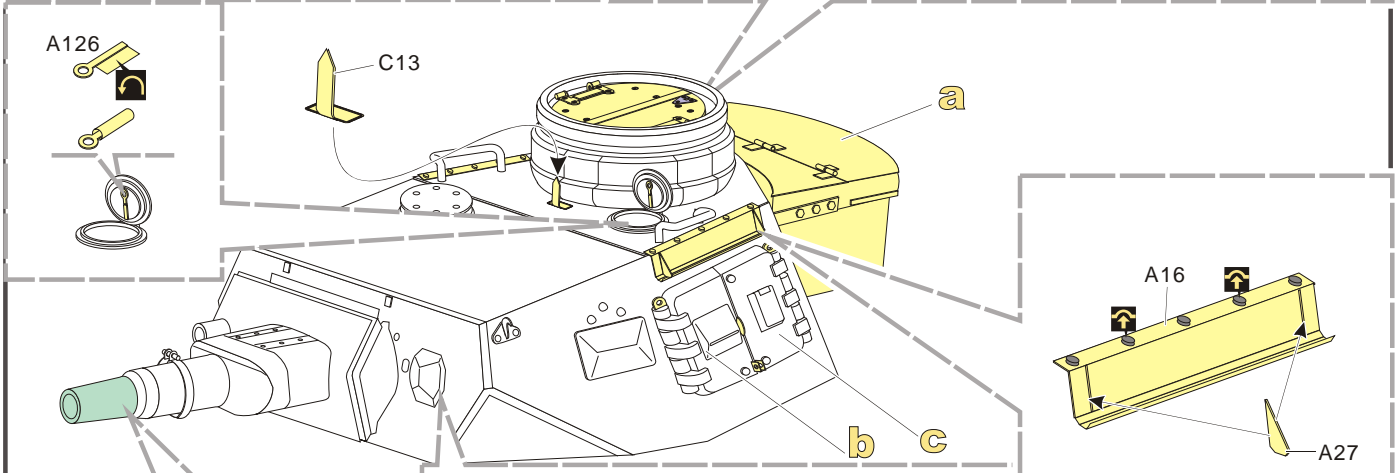
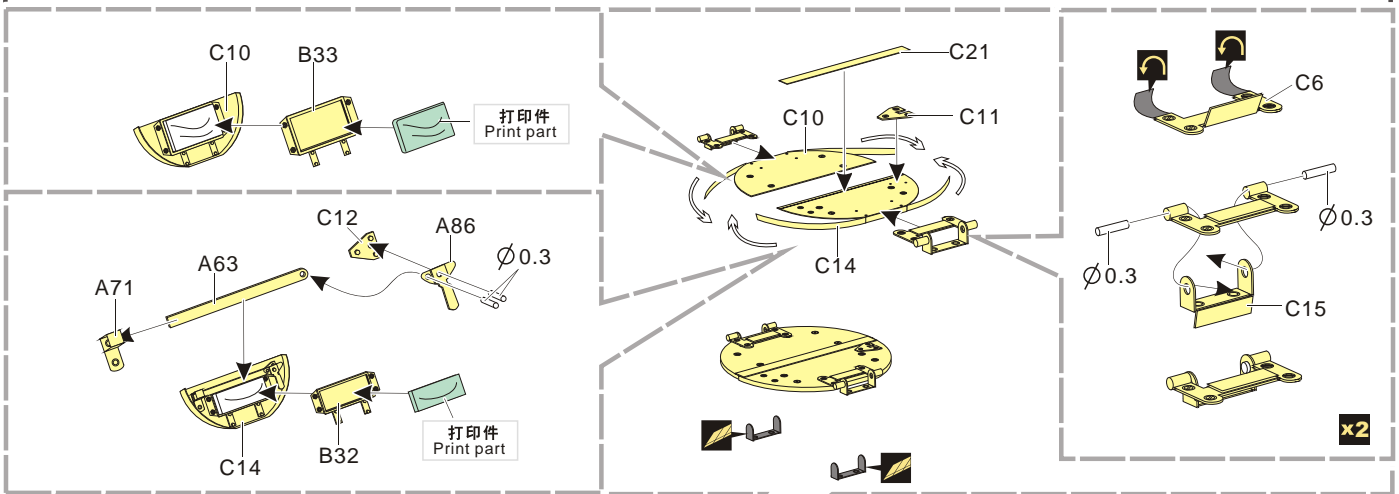
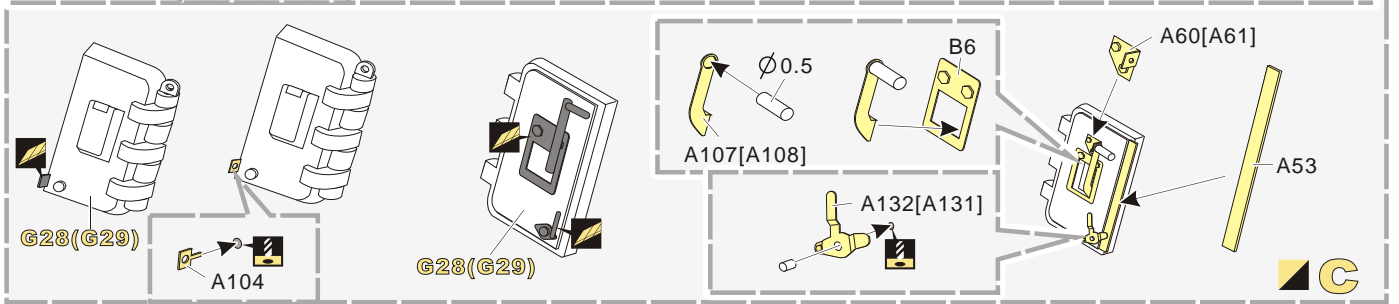
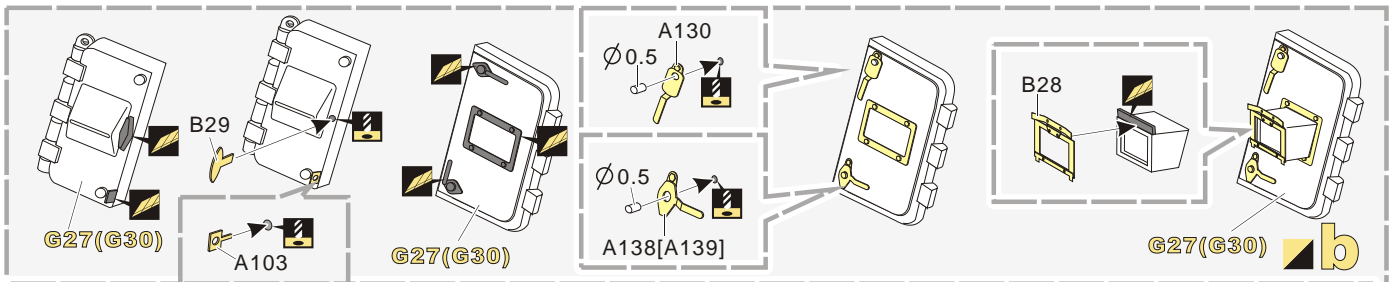
✂ 切除 remove
🔪 打磨 grind off
🌀 弧度卷曲 radial bending
✖2 制作若干组 multiple assembly
↔ 选择安装 alternative
🔪 钻孔 drill
🔴 用胶棒制作 make from plastic rod

⬇ 用尖端在凹槽处冲压 use penpoint to press on the dent
 蚀刻片零件内侧面向上 Put the part upside down
 用笔尖在凹槽处刮 Use penpoint to press on the dent

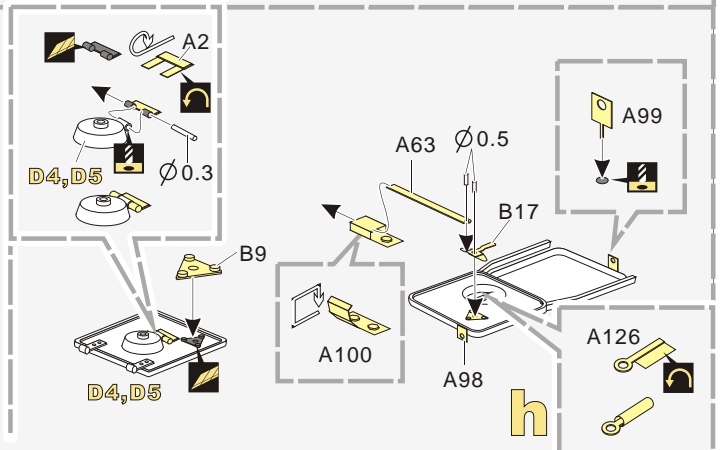
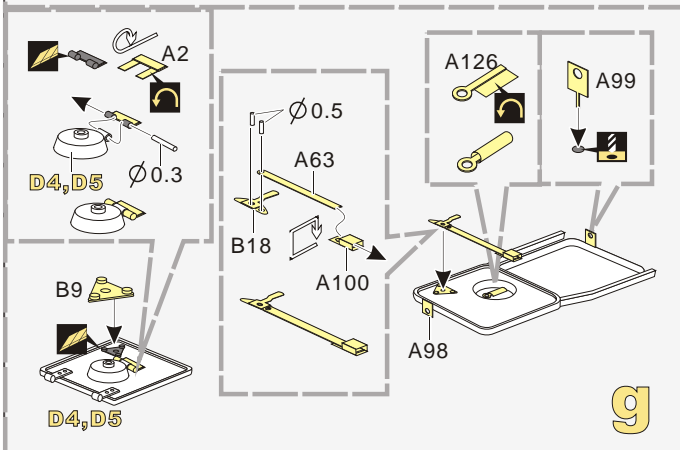
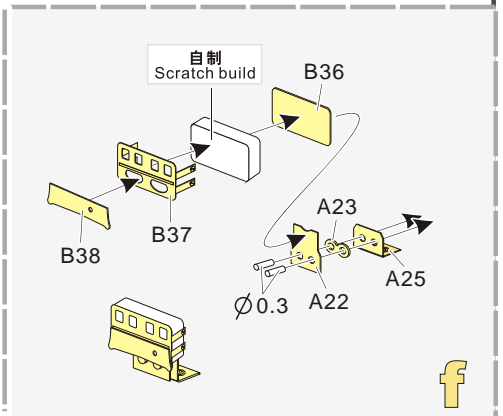
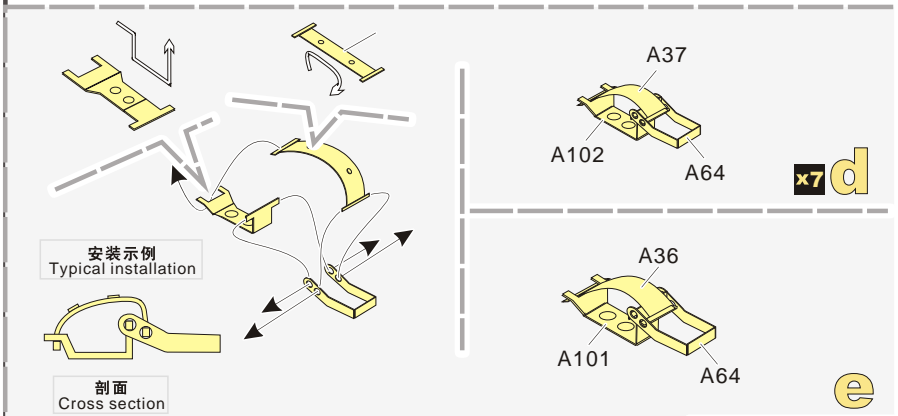
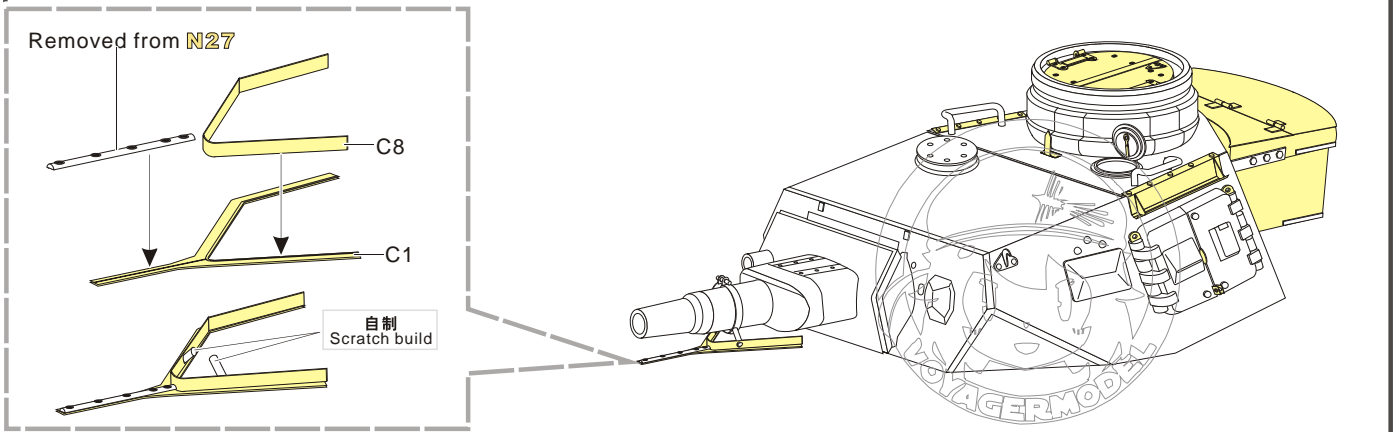
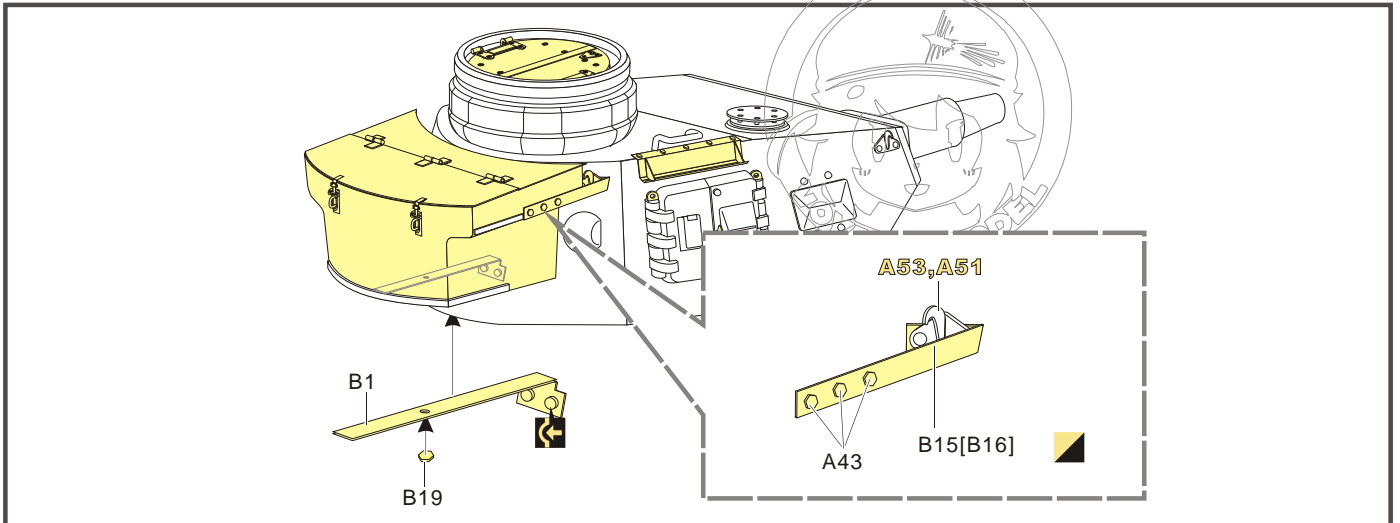
焊接是使零件制作更加牢固的方法
Soldering is the better method for join metal to metal

Removed from E36

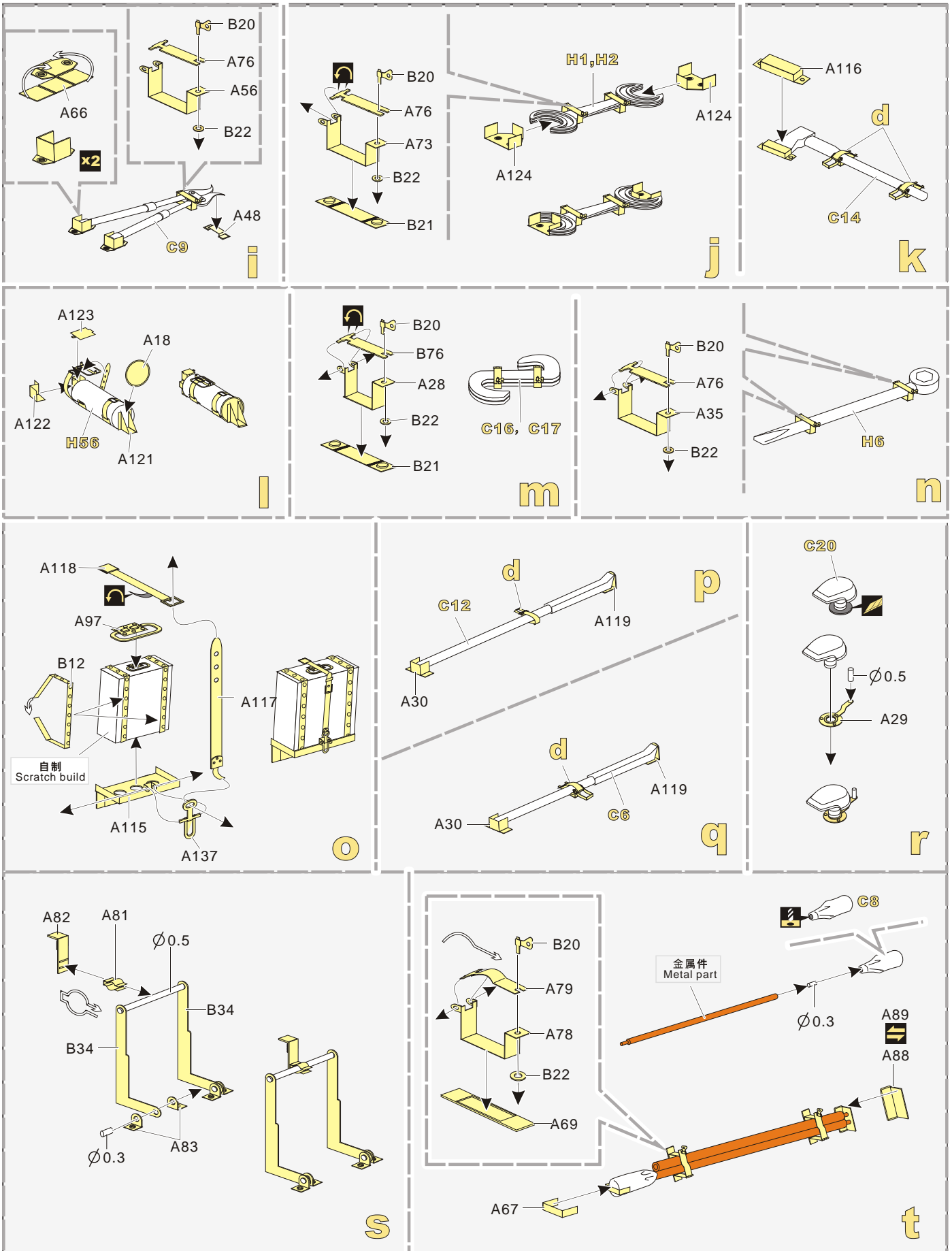
1/35 MILITARY MINIATURE VEHICLE UPGRADE SERIES PE351393



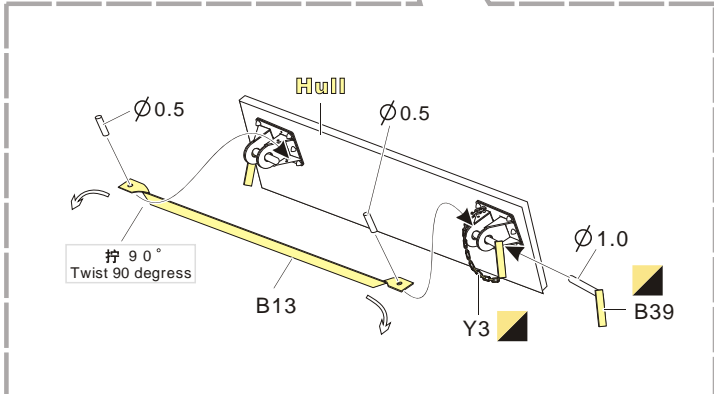
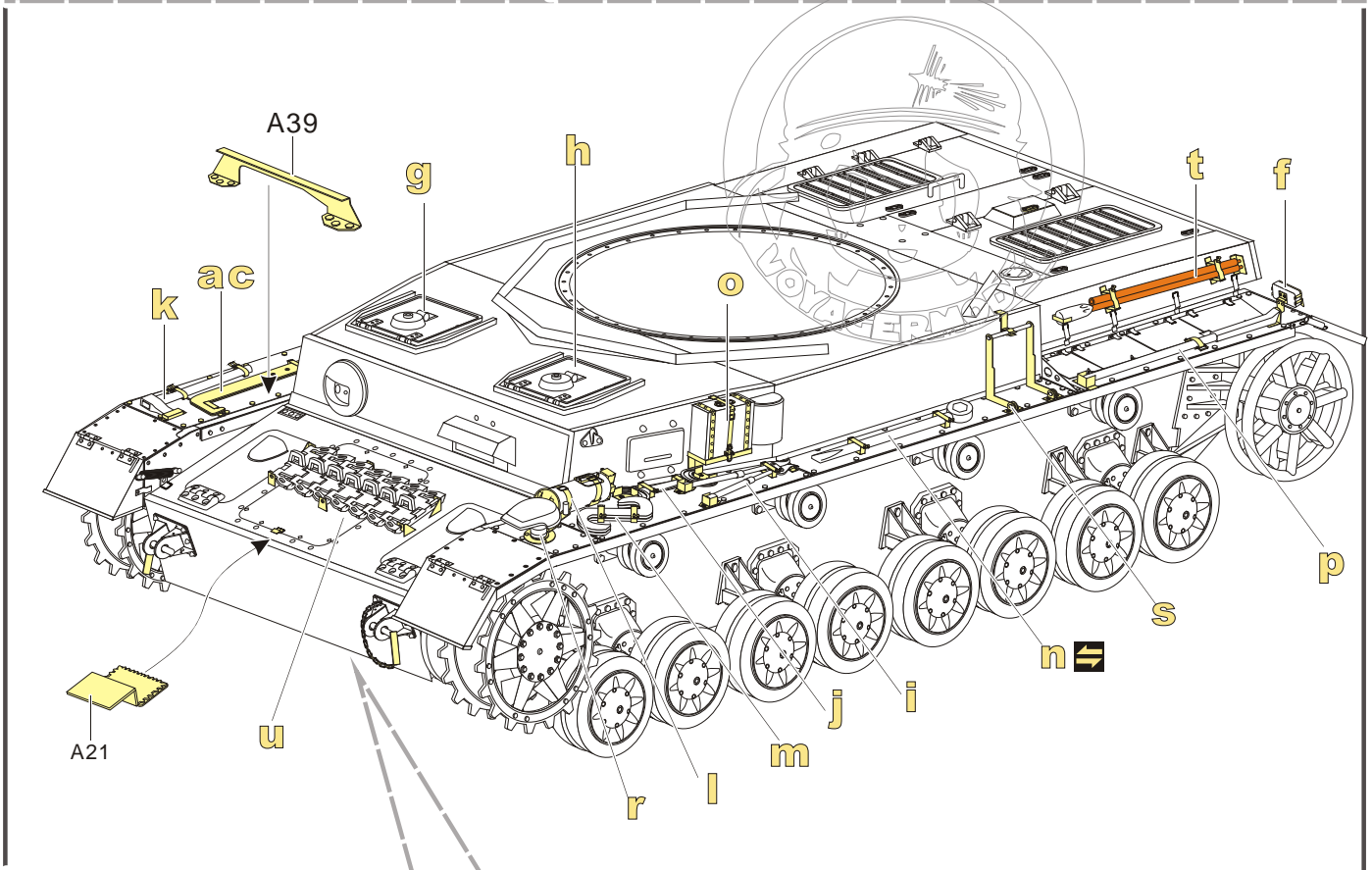
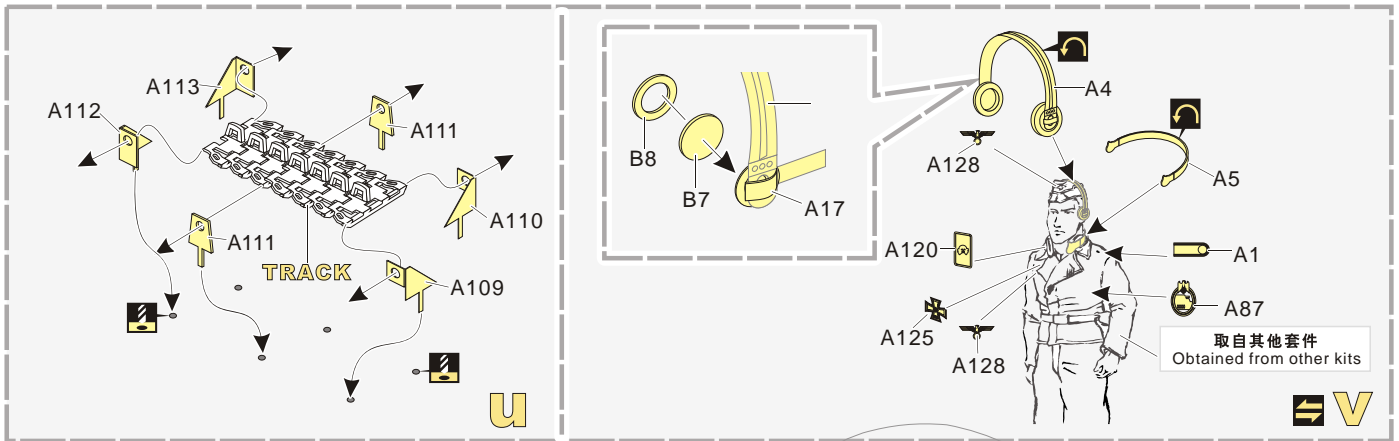
1/35 MILITARY MINIATURE VEHICLE UPGRADE SERIES PE351393



1/35 MILITARY MINIATURE VEHICLE UPGRADE SERIES PE351393



1/35 MILITARY MINIATURE VEHICLE UPGRADE SERIES PE351393



<http://www.voyagermodel.com/productdetails.asp?itemid=PE351393>

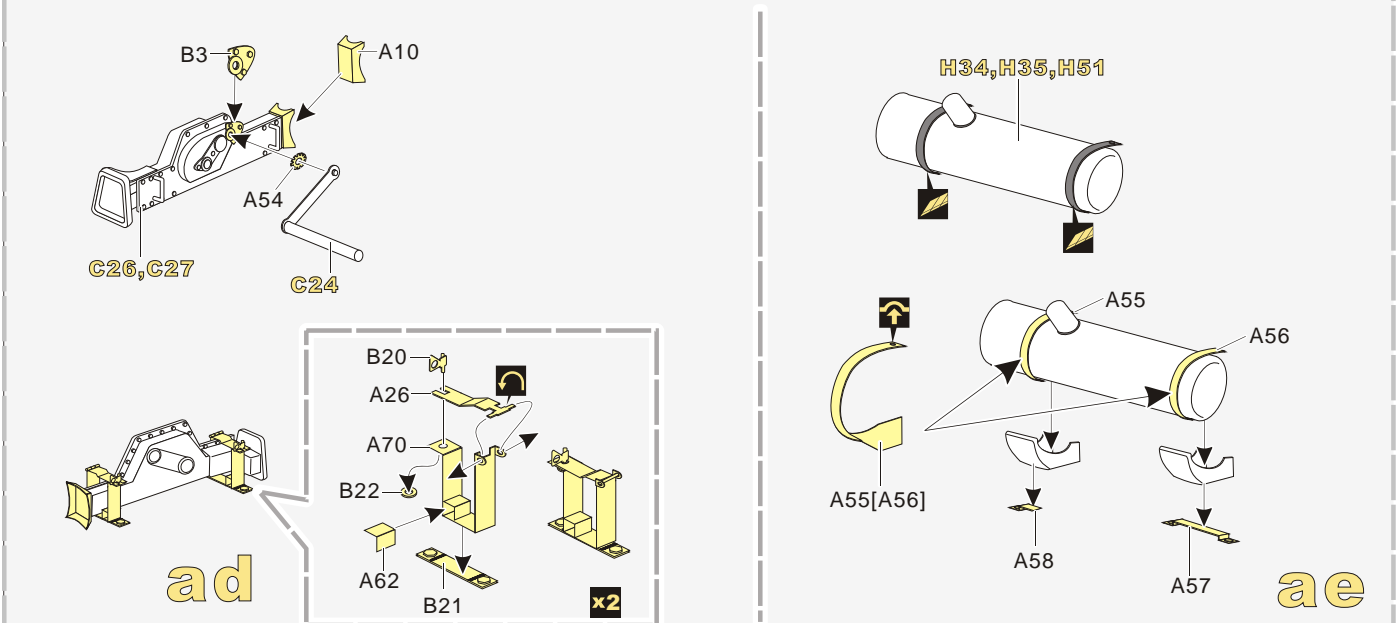
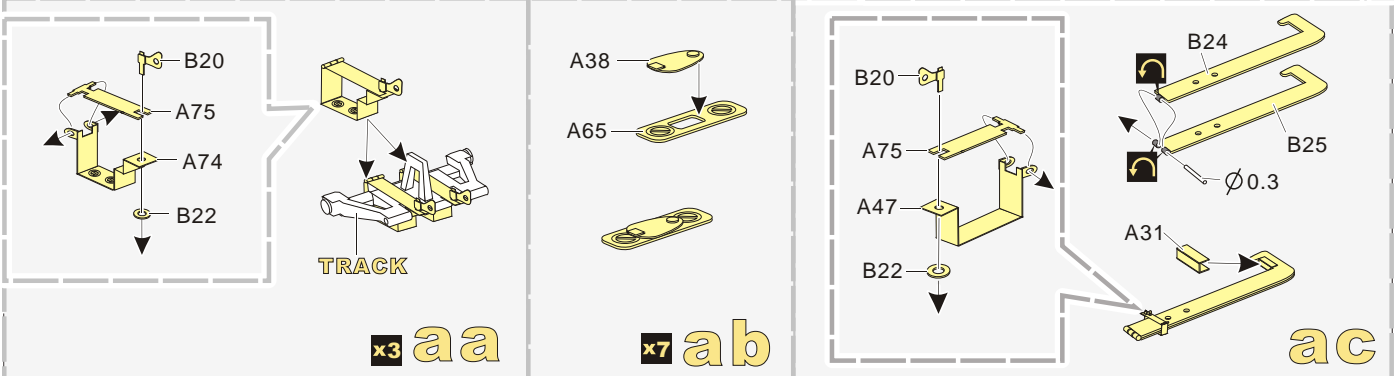
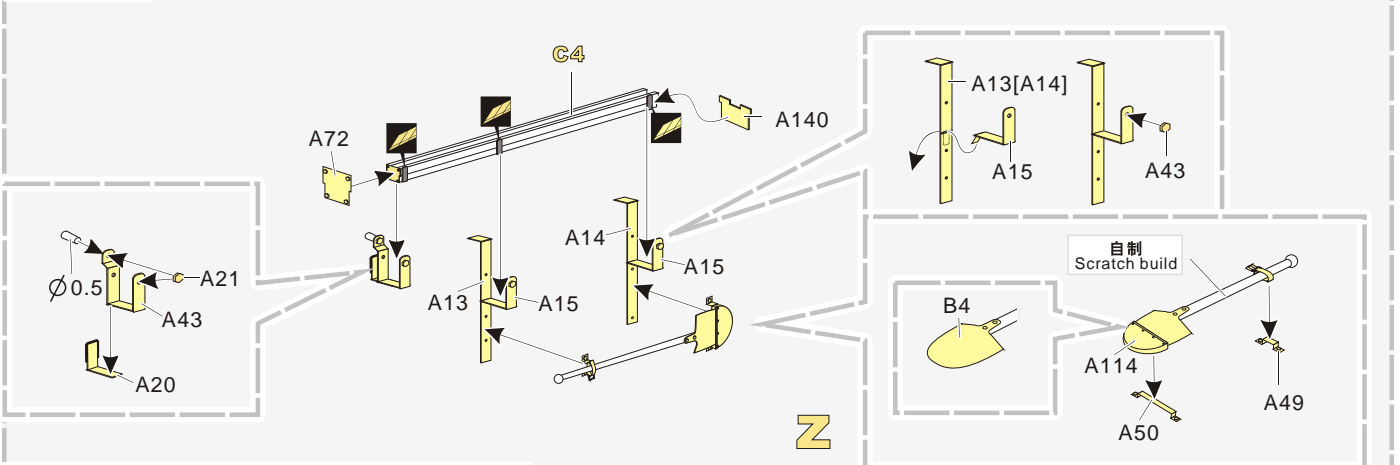
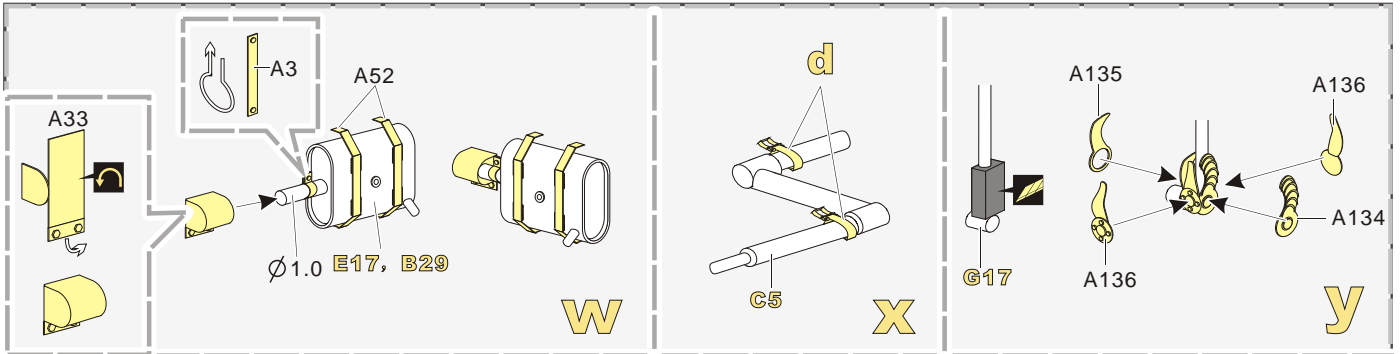


**VOYAGER
MODEL**

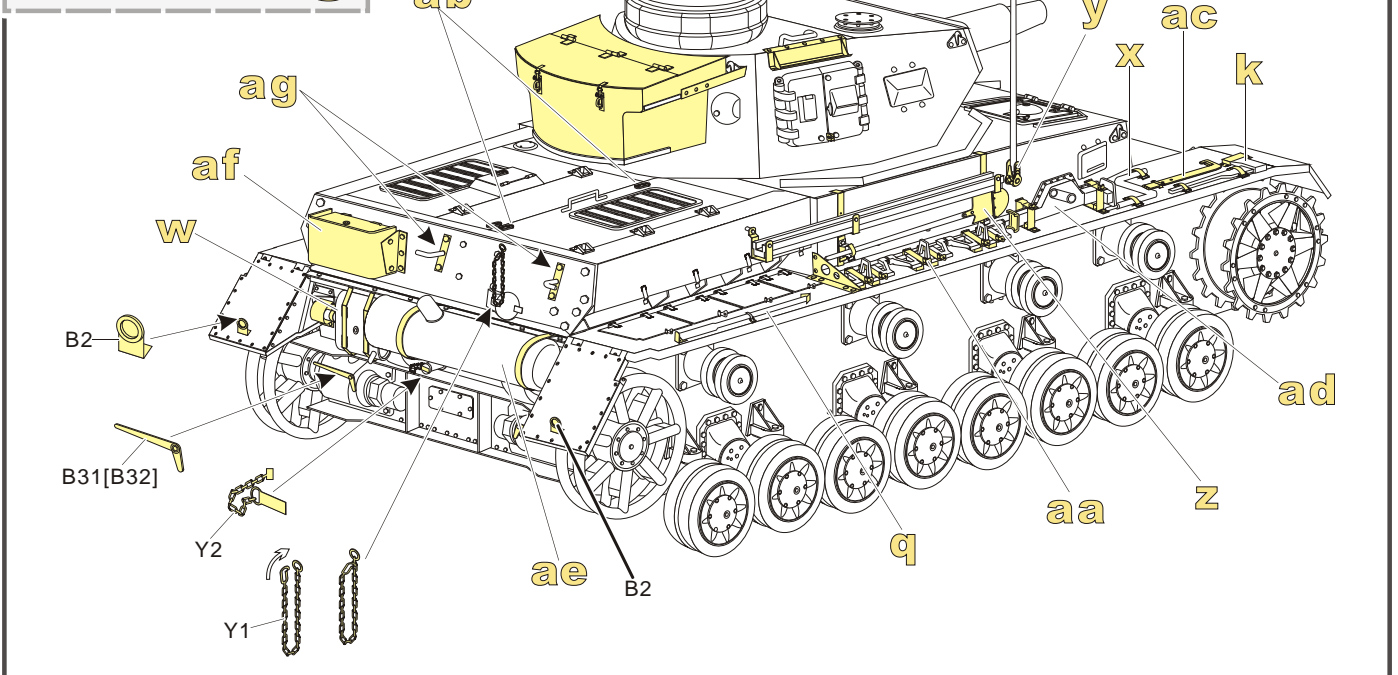
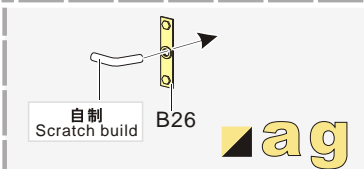
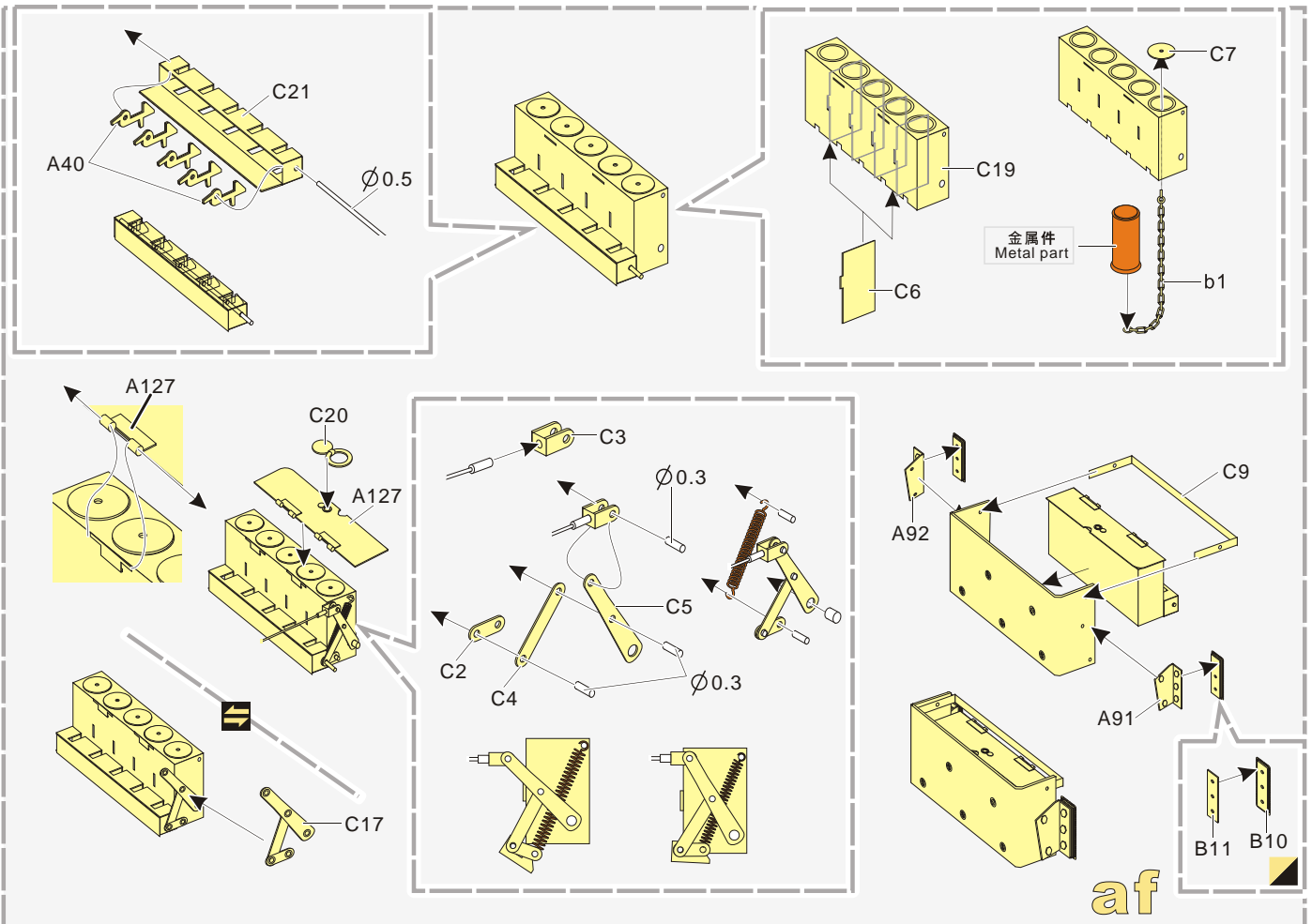


更多PE35393样品照片参考请扫一扫
MORE PICTUER OF PE 351393
REFERENCE SCAN HERE

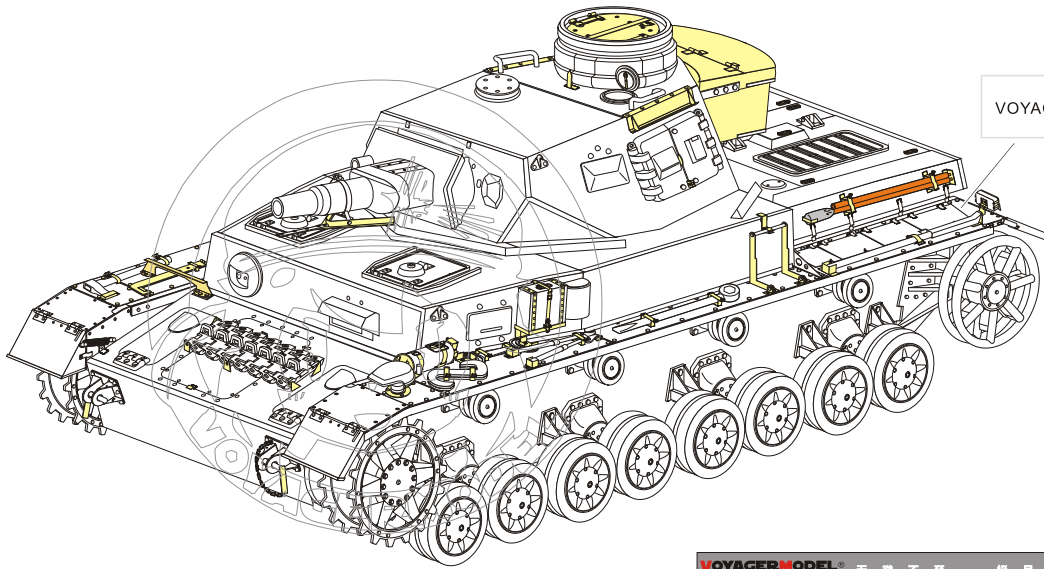
1/35 MILITARY MINIATURE VEHICLE UPGRADE SERIES PE351393



1/35 MILITARY MINIATURE VEHICLE UPGRADE SERIES PE351393



1/35 MILITARY MINIATURE VEHICLE UPGRADE SERIES PE351393

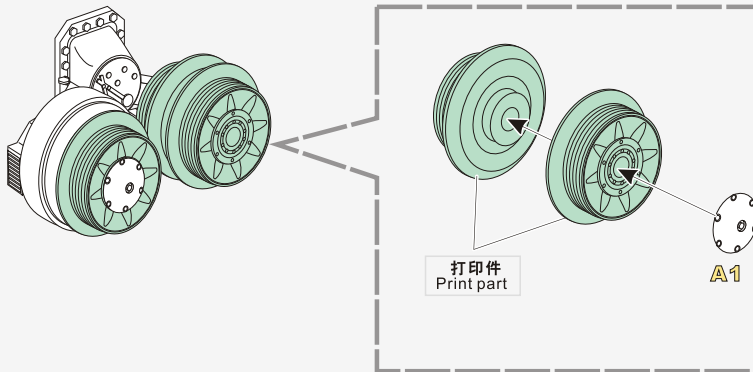


推荐 PE 35994
VOYAGERMODEL PE 35994
Recommended

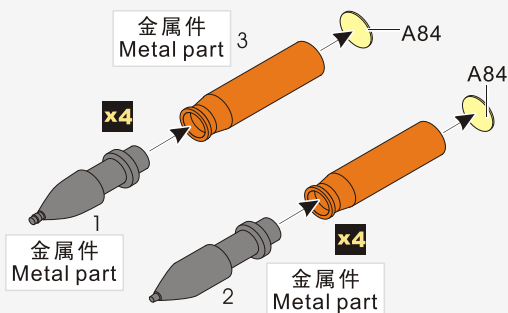
VOYAGERMODEL[®] 无微不至 极尽享受
The Best Upgrade Solution

Recommended item	
PE 35993	WWII German Pz.Kpfw.IV Ausf.G (LateProduction) Basic
PE 35994	WWII German Pz.Kpfw.IV Ausf.F-H Fenders
PE 351039	WWII German Pz.Kpfw.IV Ausf.F1 "Vorpanzer"
PE 351041	WWII German Pz.Kpfw.IV Ausf.F1 (LateProduction) Basic
PE 351042	WWII German Pz.Kpfw.IV Ausf.F2 Basic








THE STEPS IN THE BLACK BOX APPLY FOR PE351393 B VERSION
黑框内的步骤仅适用于**PE351393 B**版本



WWII German 75mm KwK 37/StuK 37 Ammunition
二战德军75mm KwK37/StuK37火炮用炮弹



Also fit for

-  Pz Kpfw IV Ausf. A~E
-  Pz Kpfw III Ausf. N
-  StuG III Ausf. A~E
-  Sd.Kfz.234/3
-  Sd.Kfz.251/9 Ausf.C~D
-  Sd.Kfz.250/8
-  Aufklärungspanzer 38(t) mit 75mm Kw.K