

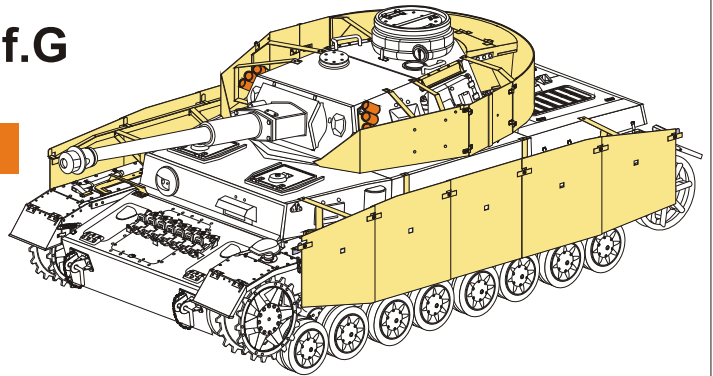
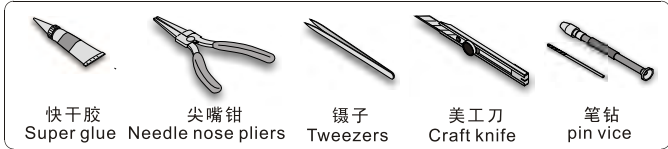
1/35 MILITARY MINIATURE VEHICLE UPGRADE SERIES PE351395

WWII German Pz.Kpfw.IV Ausf.G basic w/smoke discharger

二战德军IV号坦克G型基本改造件带烟幕弹

[For DRAGON 6694 9020]

推荐使用工具 RECOMMENDED TOOLS



↑
安装
install

↩
折叠
bend

A1
改造件零件编号
PE/resin part number

B12
原零件编号
kit part number

C22
被替换的原零件编号
replaced kit part number

◀▶
另一侧相同制作
repeat on opposite side

✂
切除
remove

🔪
打磨
grind off

↻
弧度卷曲
radial bending

✖
制作若干组
multiple assembly

↔
选择安装
alternative

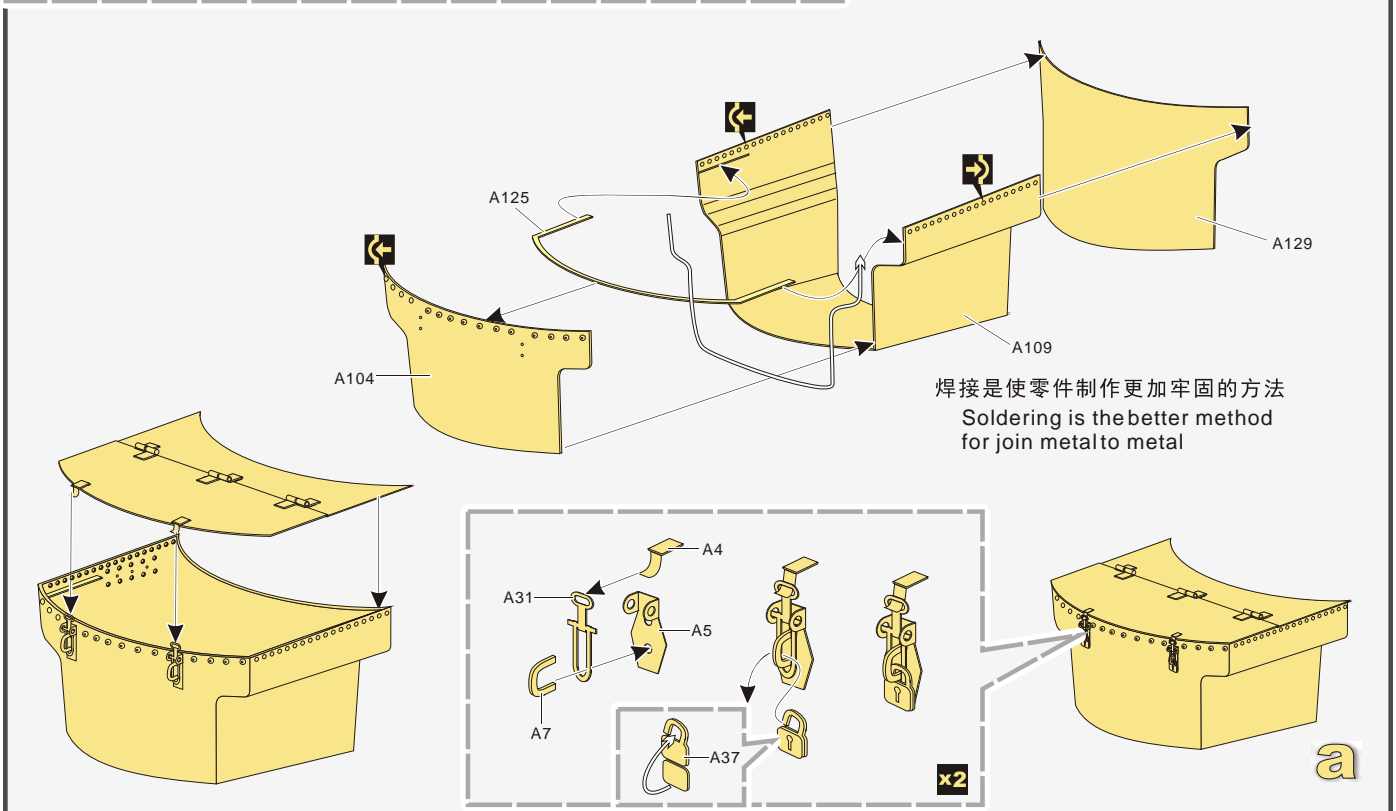
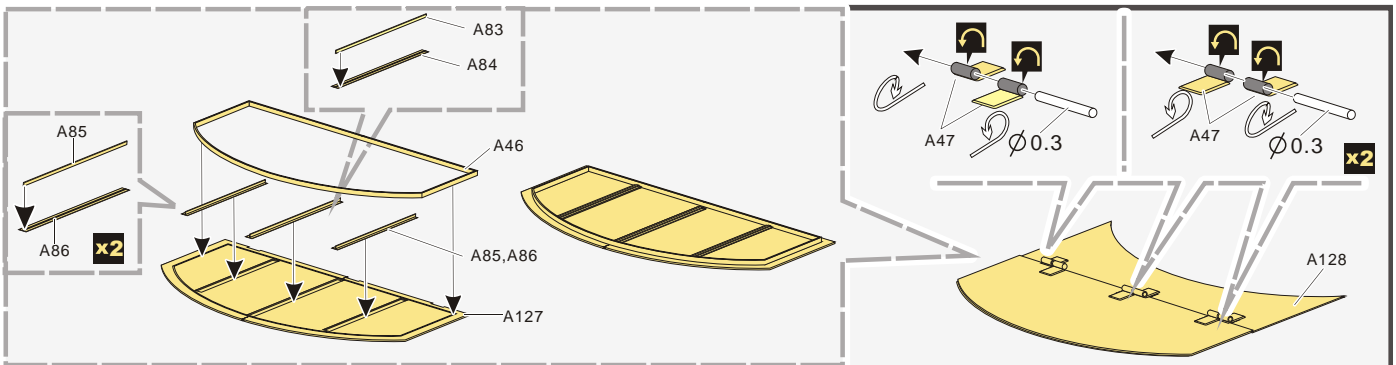
🔧
钻孔
drill

●
用胶棒制作
make from plastic rod

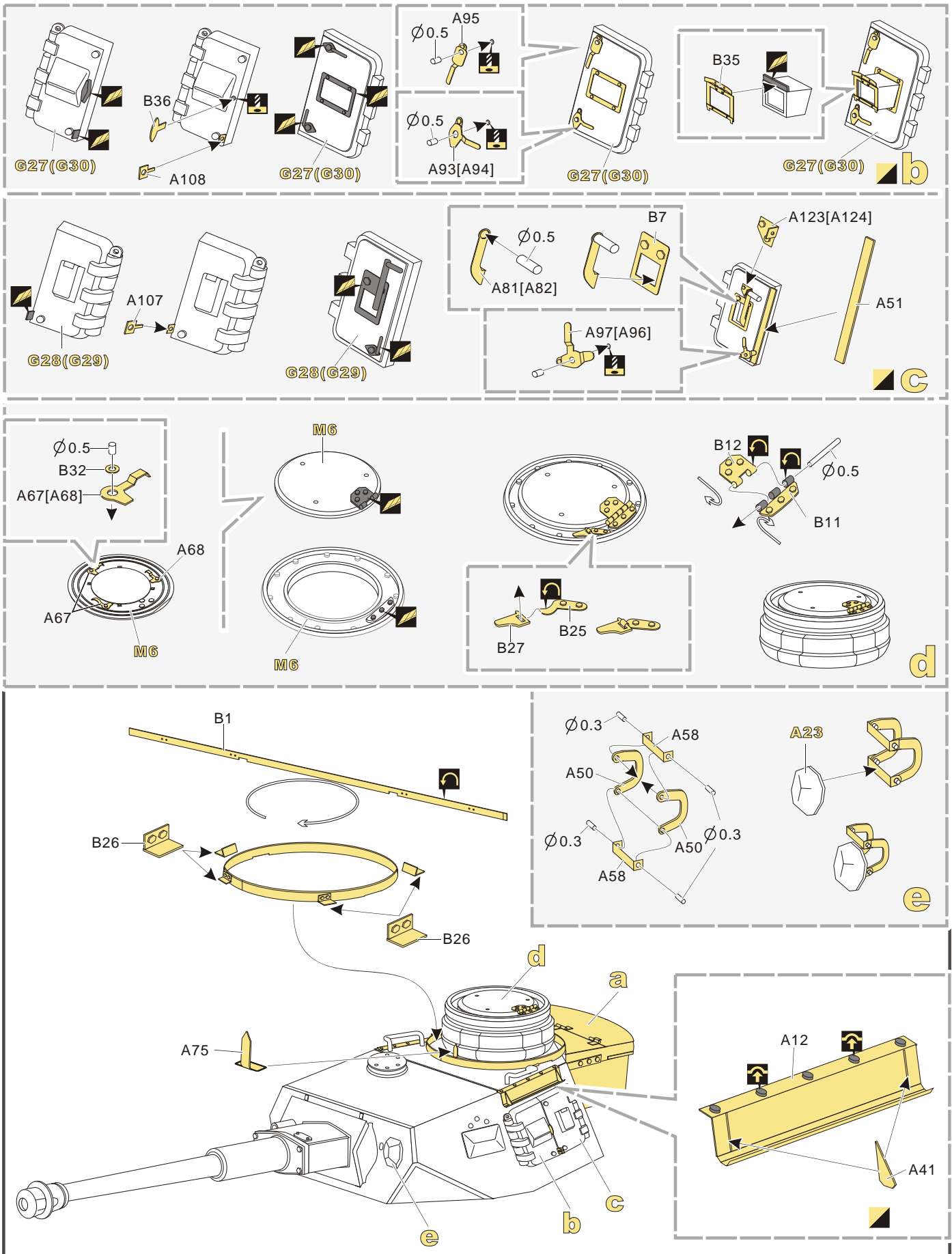
↓
用尖端在凹槽处冲压
use penpoint to press on the dent

蚀刻片零件内侧面向上
Put the part upside down

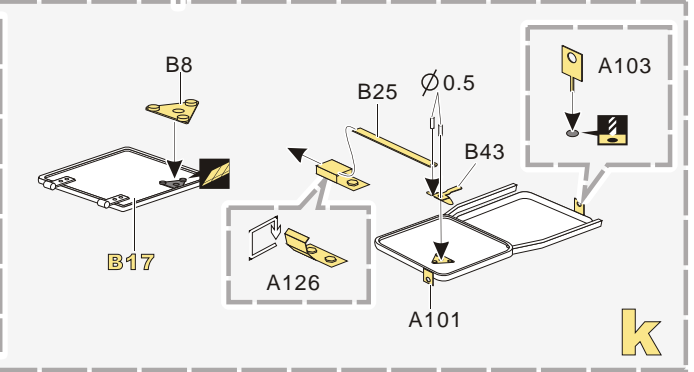
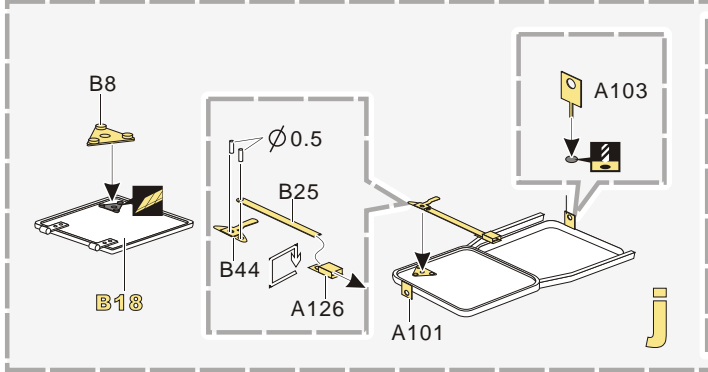
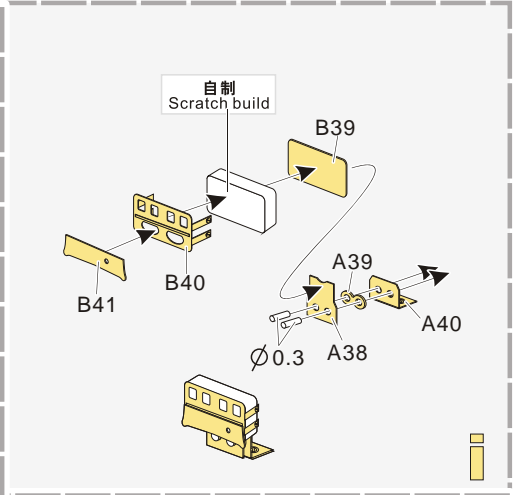
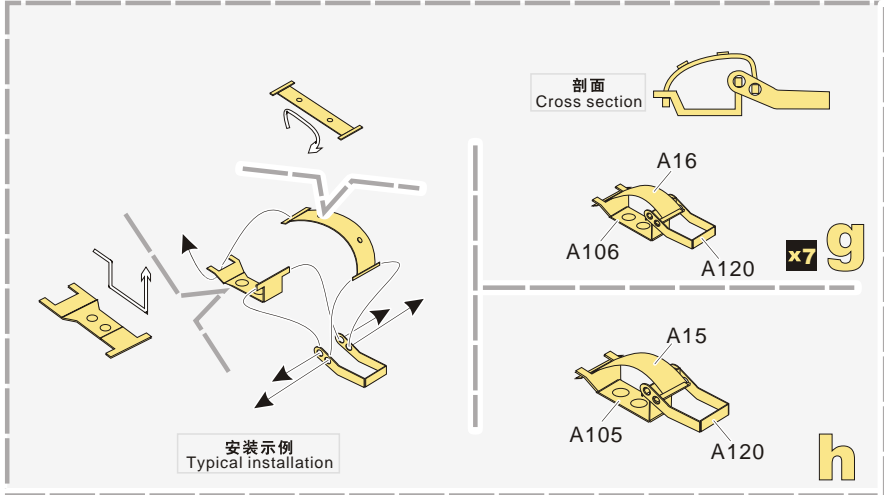
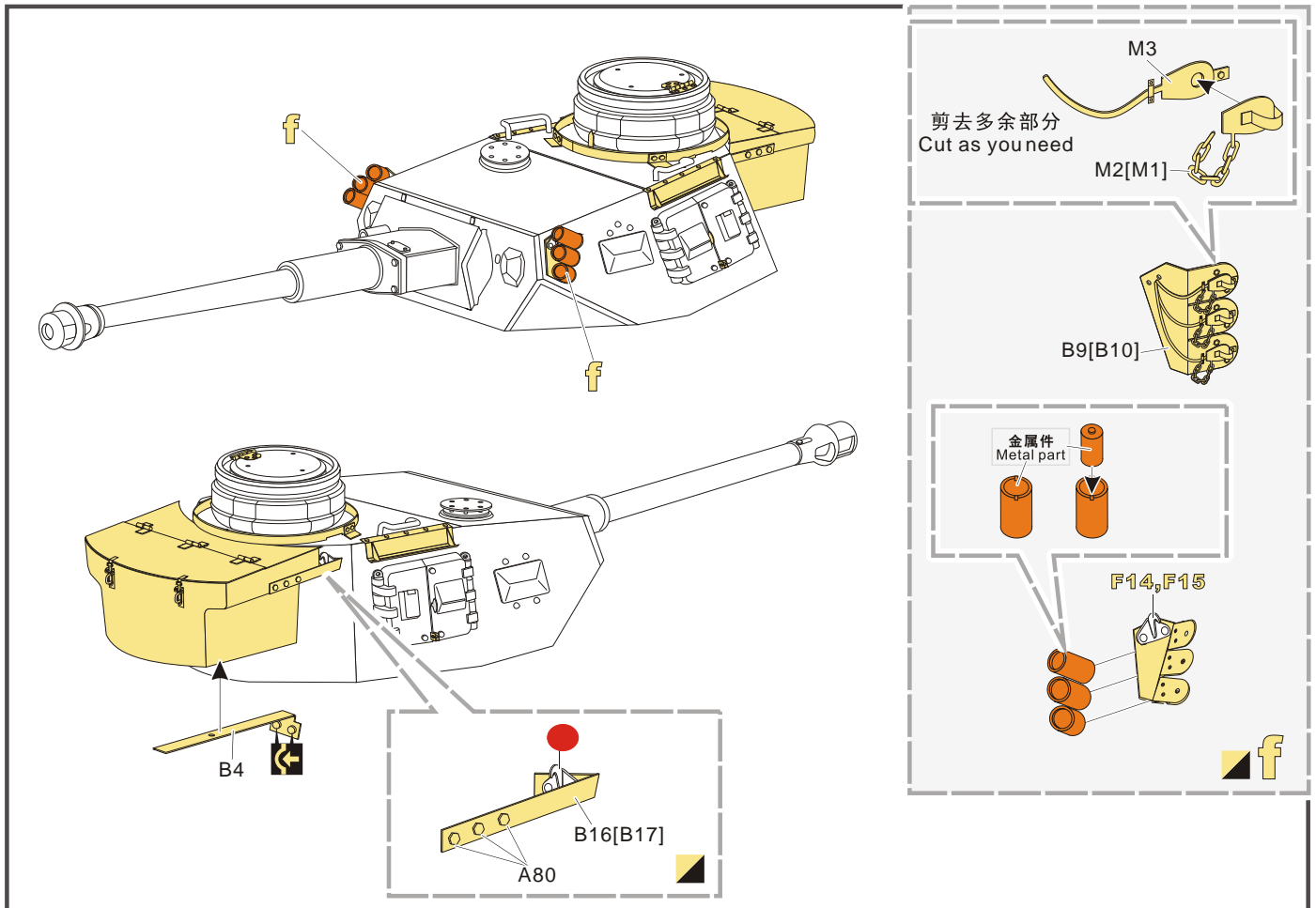
用笔尖在凹槽处刮
Use penpoint to press on the dent



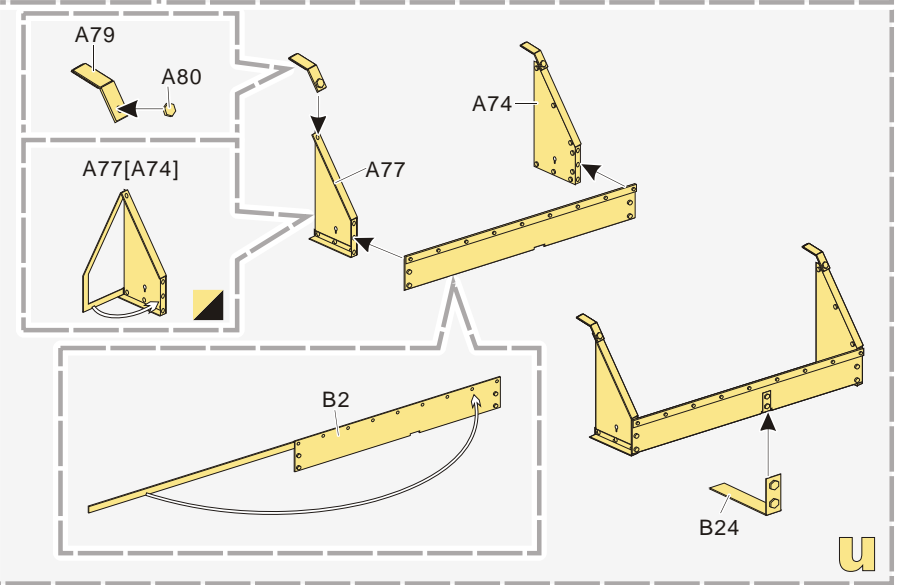
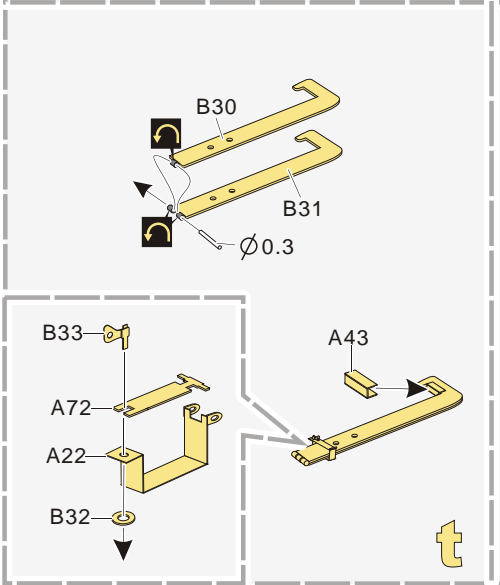
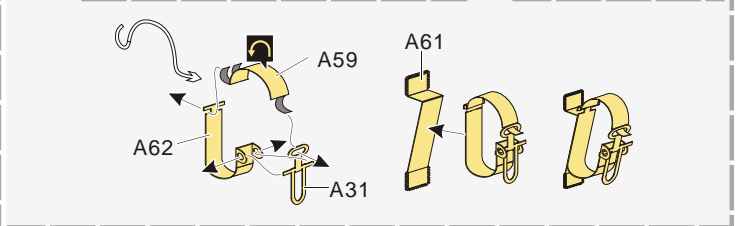
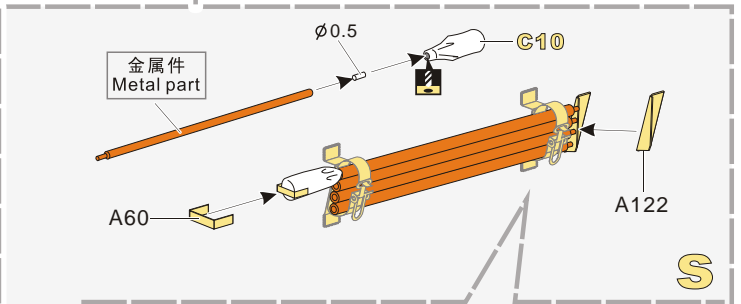
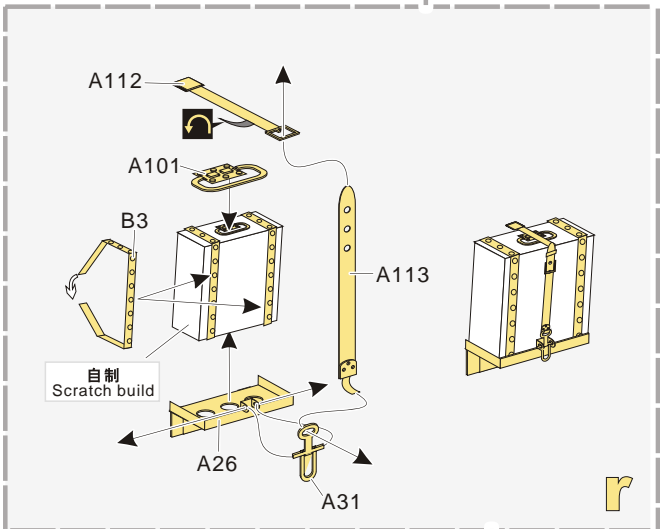
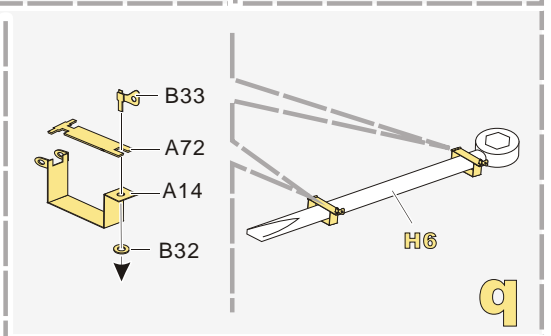
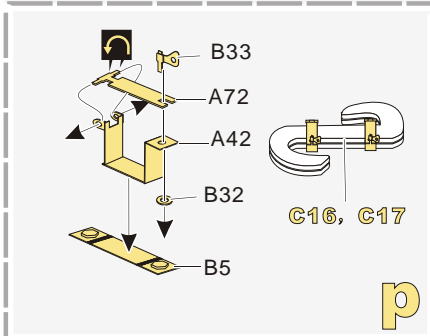
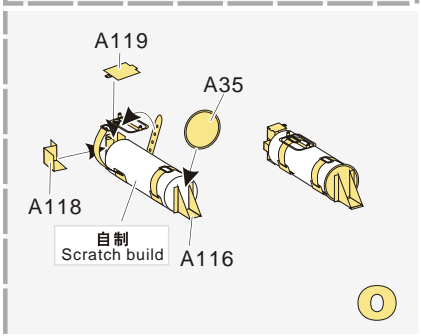
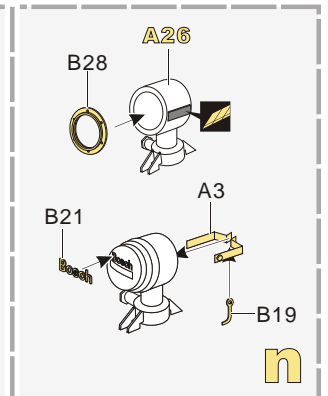
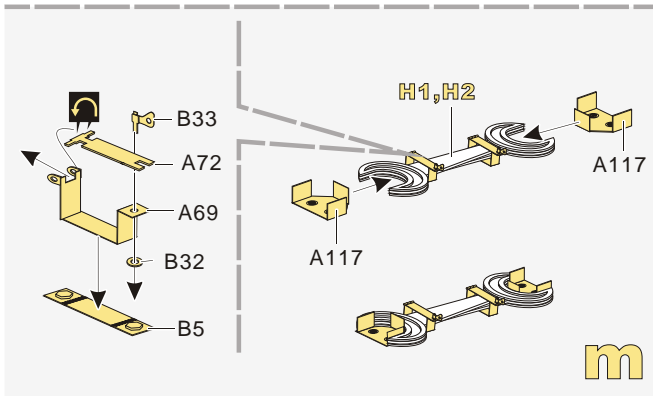
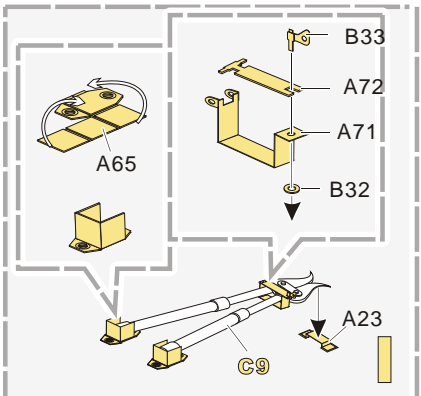
1/35 MILITARY MINIATURE VEHICLE UPGRADE SERIES PE351395



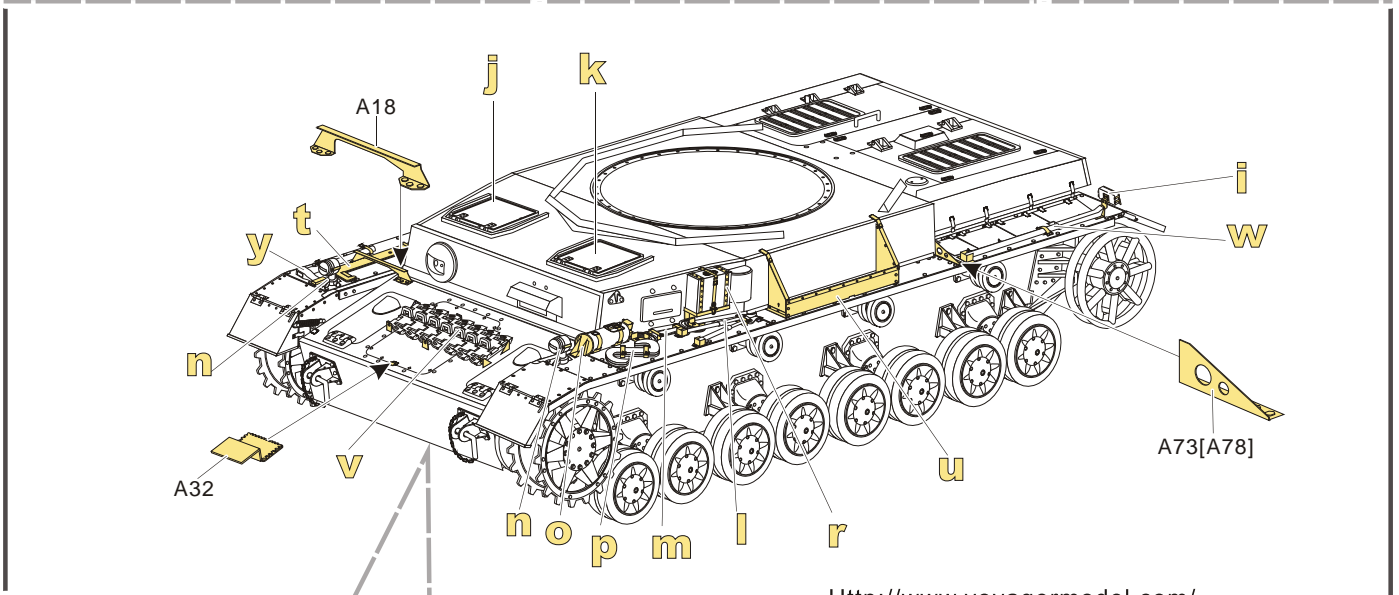
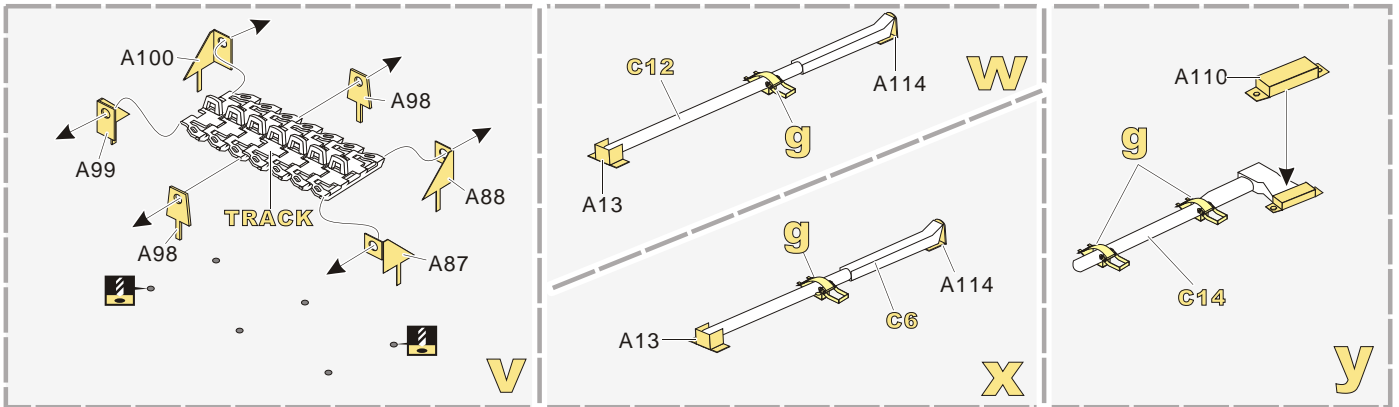
1/35 MILITARY MINIATURE VEHICLE UPGRADE SERIES PE351395



1/35 MILITARY MINIATURE VEHICLE UPGRADE SERIES PE351395



1/35 MILITARY MINIATURE VEHICLE UPGRADE SERIES PE351395

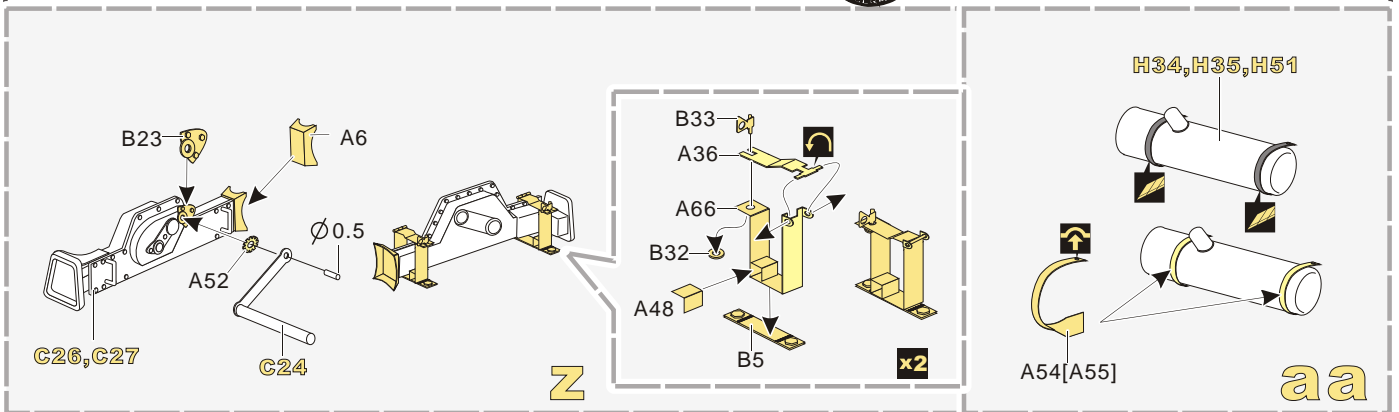
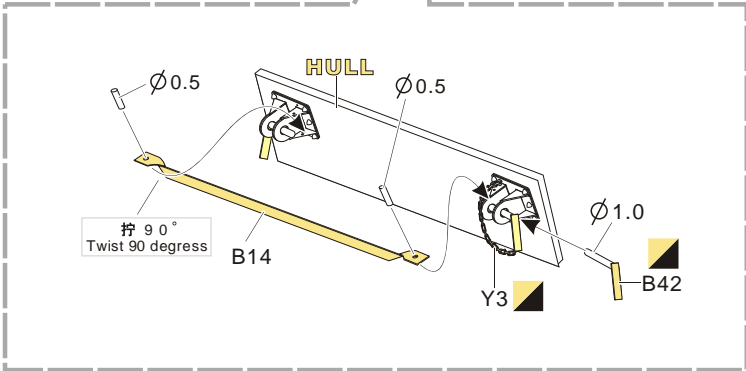


[Http://www.voyagermodel.com/productdetails.asp?itemid=PE351395](http://www.voyagermodel.com/productdetails.asp?itemid=PE351395)

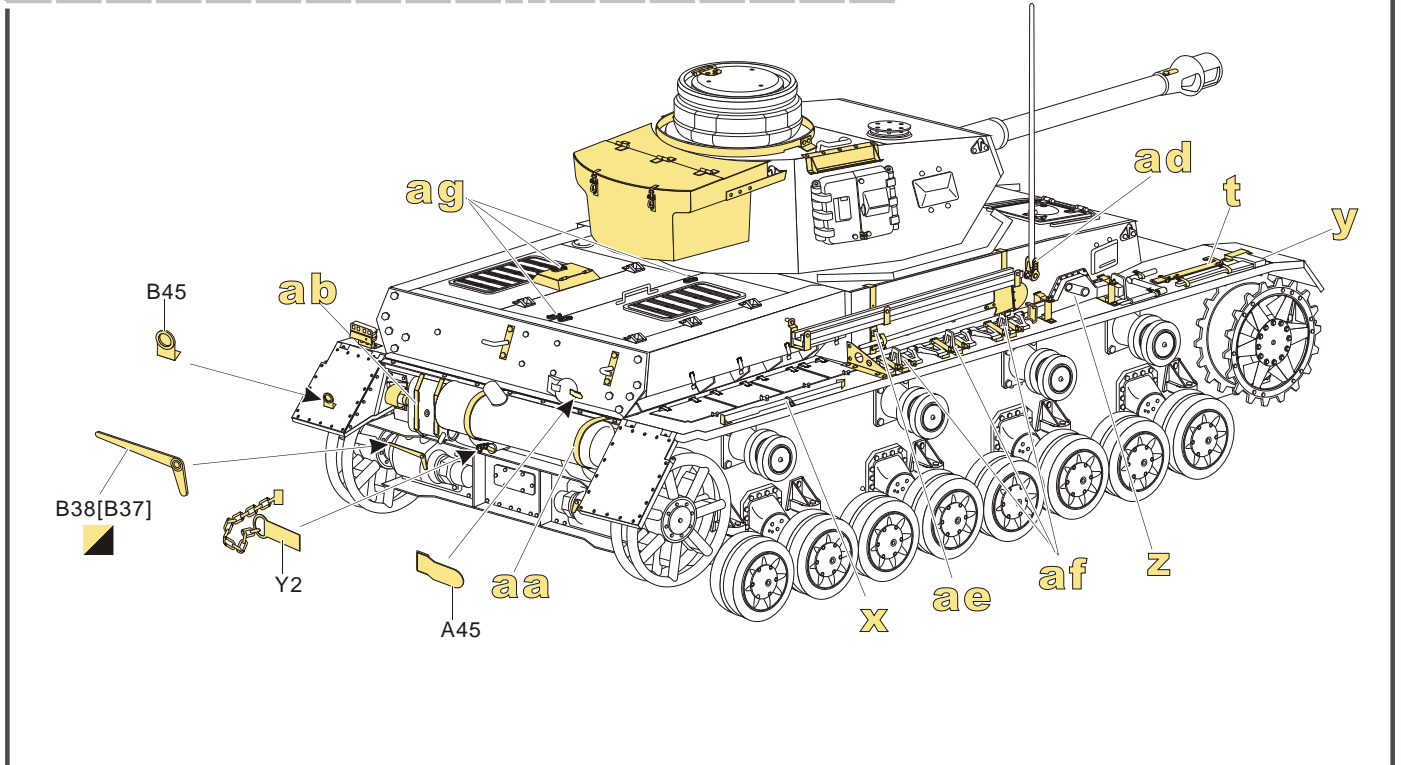
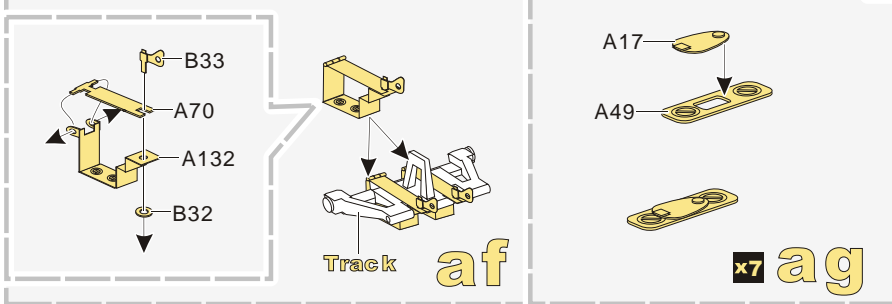
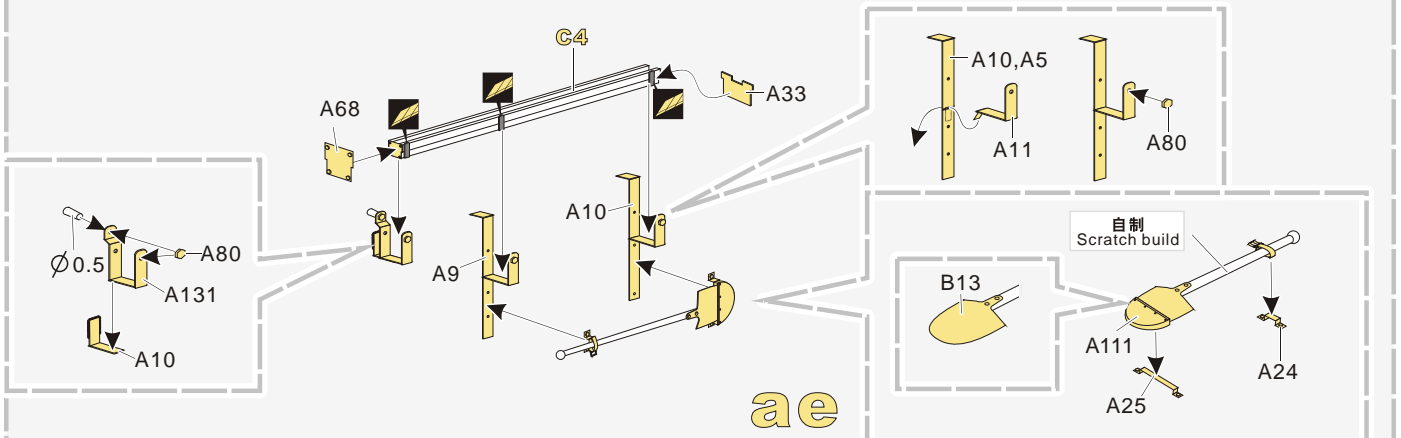
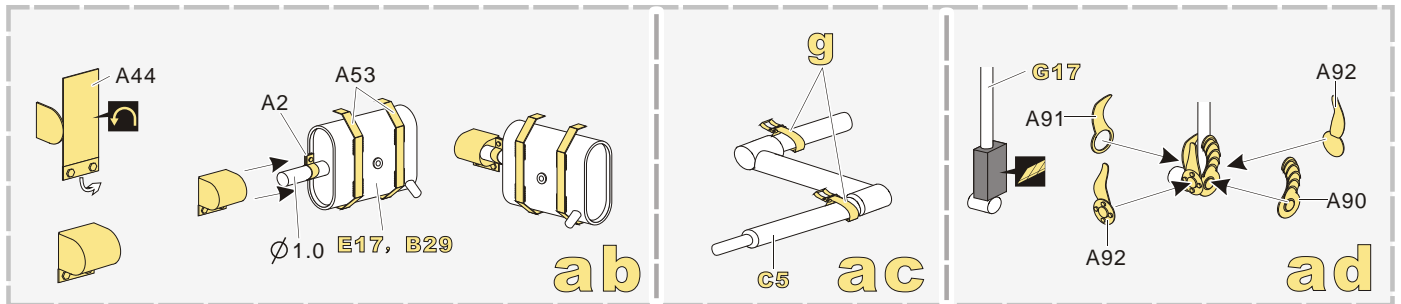
VOYAGER MODEL



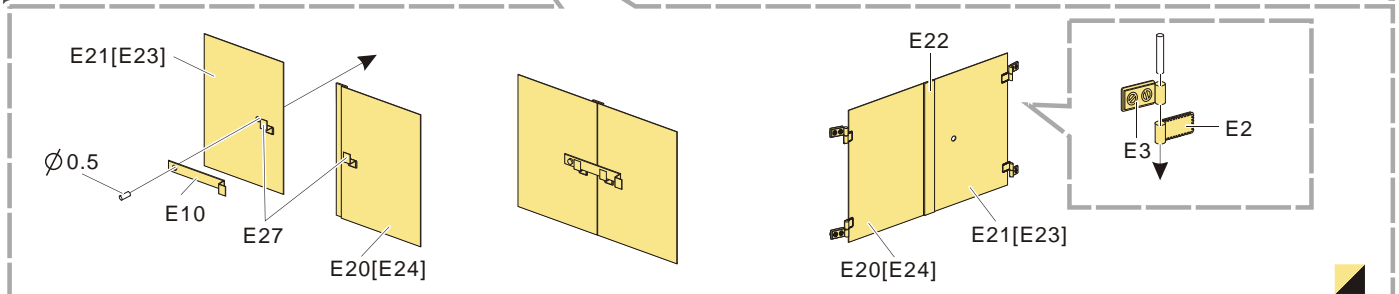
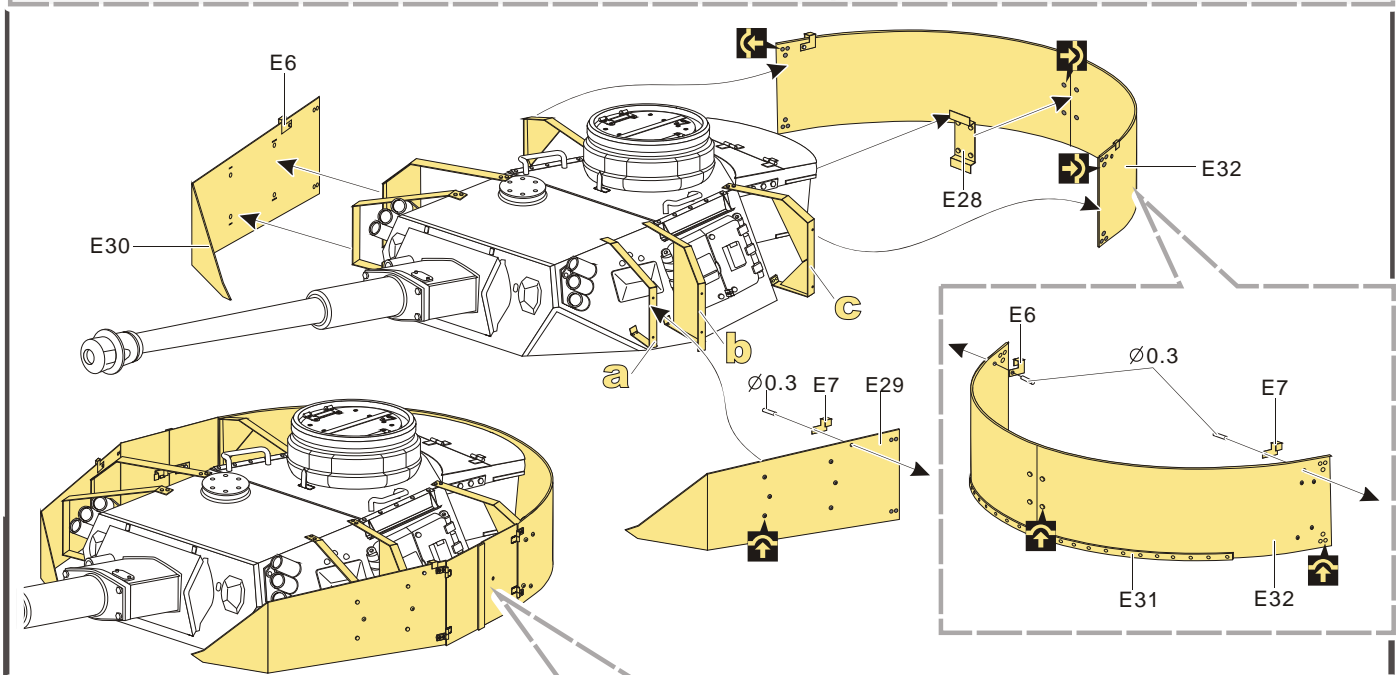
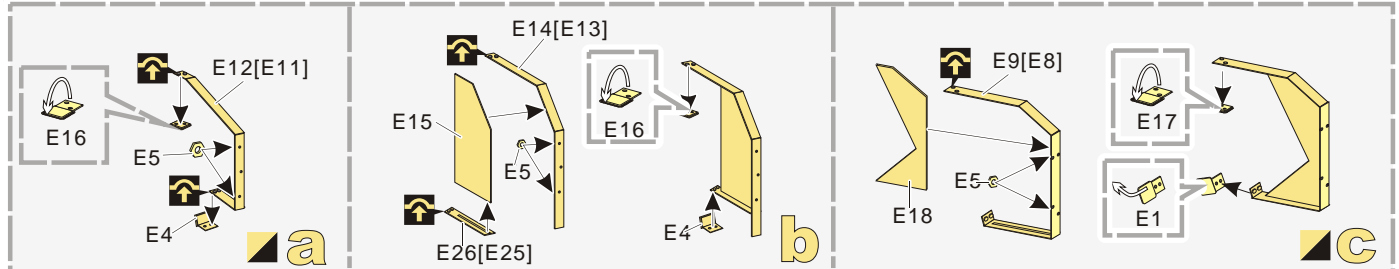
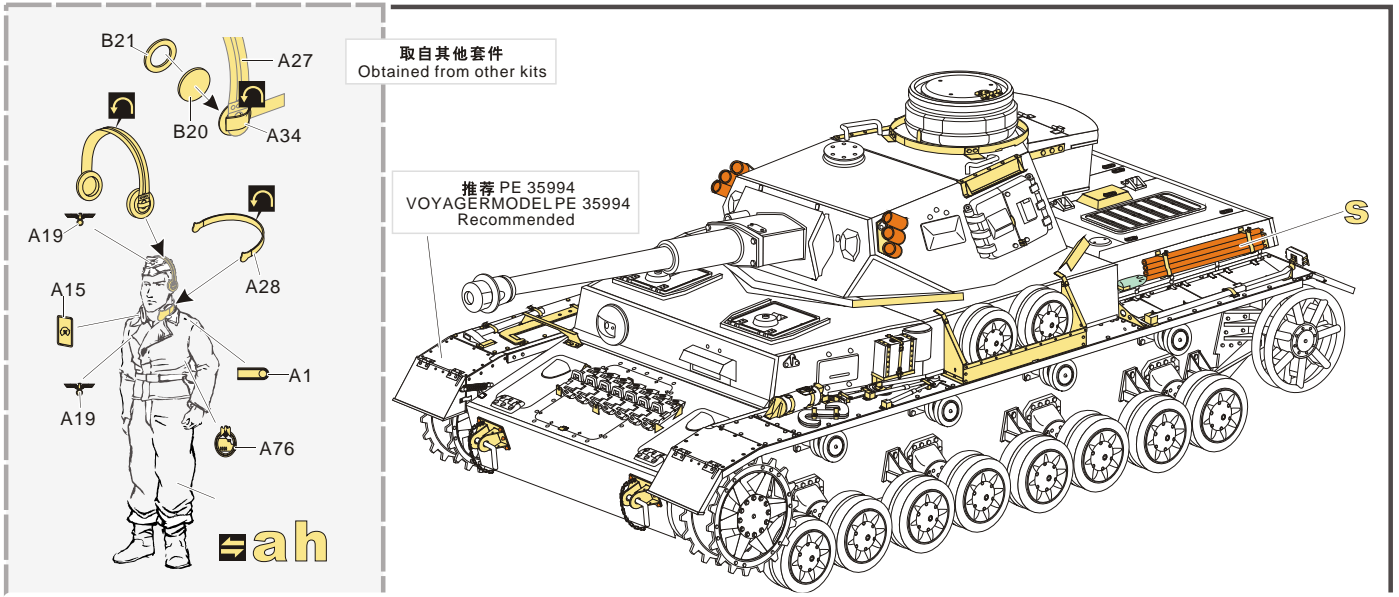
更多PE351395样品照片参考请扫一扫
MORE PICTUER OF PE 351395
REFERENCE SCAN HERE



1/35 MILITARY MINIATURE VEHICLE UPGRADE SERIES PE351395



1/35 MILITARY MINIATURE VEHICLE UPGRADE SERIES PE351395



1/35 MILITARY MINIATURE VEHICLE UPGRADE SERIES PE351395

THE STEPS IN THE BLACK BOX APPLY FOR PE351395 B VERSION
黑框内的步骤仅适用于PE351395 B版本

