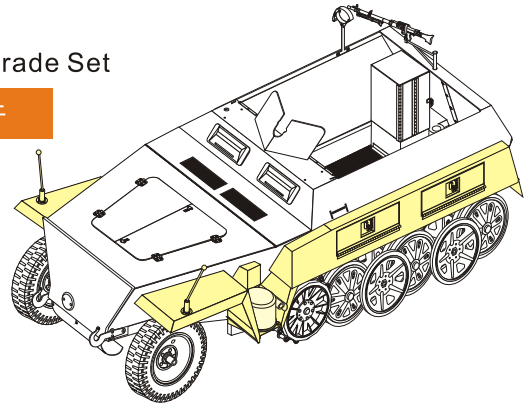


1/35 MILITARY MINIATURE VEHICLE UPGRADE SERIES PE351411

WWII German Sd.Kfz.250 NEU Stowage Bins & Fenders Upgrade Set







二战德军Sd.Kfz.250 NEU 装甲车杂物箱及翼子板改造件


[For DRAGON Kit]



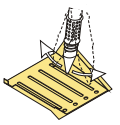
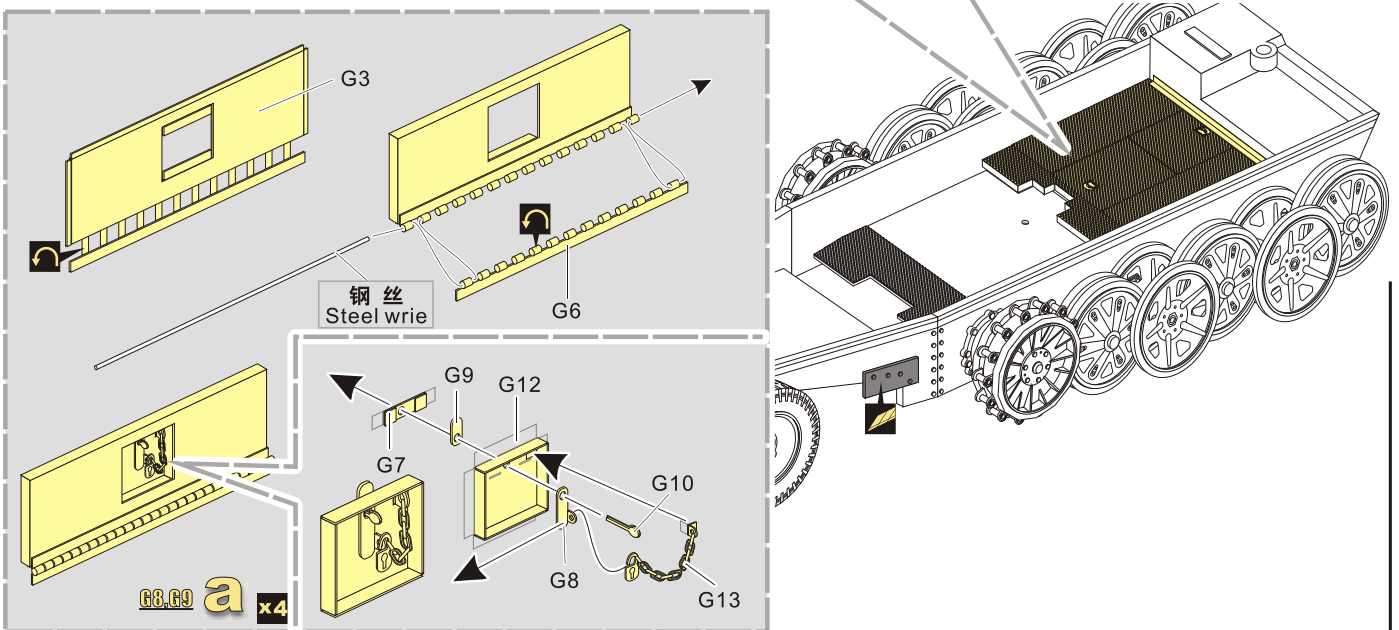
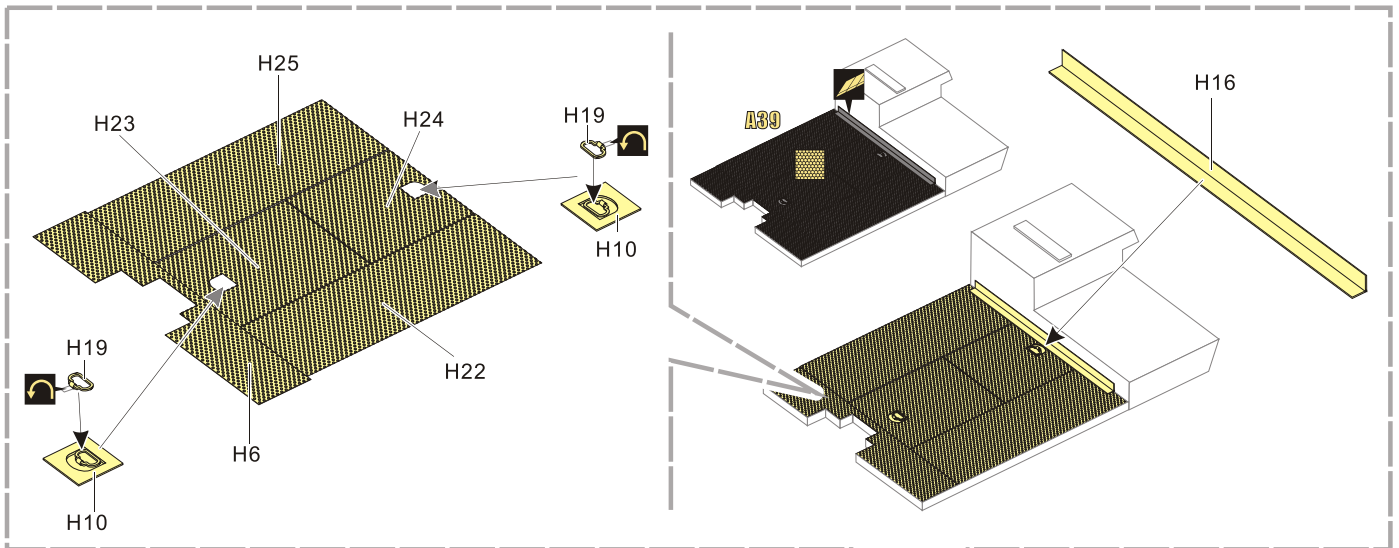
推荐使用工具 RECOMMENDED TOOLS



-   
 安装  
install
  - A1**  
 改造件零件编号  
PE/resin part number
  - B12**  
 原零件编号  
kit part number
  - G22**  
 被替换的原零件编号  
replaced kit part number
- 
-   
 注意  
caution
  -   
 弧度卷曲  
radial bending
  -   
 打磨  
grind off
  -   
 制作若干组  
multiple assembly
  -   
 切除  
remove

  
 用尖端在凹槽处冲压  
use penpoint to press on the dent

蚀刻片零件内侧面向上  
Put the part upside down  
 用笔尖在凹槽处刮  
Use penpoint to press on the dent

1/35 MILITARY MINIATURE VEHICLE UPGRADE SERIES PE351411

推荐 PE 351408 Pe351409 Pe351410  
VOYAGERMODEL  
PE 351408 Pe351409 PE351410  
Recommended

推荐 PE 351412 PEA 492  
VOYAGERMODEL PE 351412 PEA 492  
Recommended

VOYAGERMODEL® 无微不至 极致享受

Recommended item

PE 351409	WWII German Sd.Kfz.250/8 NEU"Stummel" Basic Upgrade Set
PE 351410	WWII German Sd.Kfz.250/9 NEU "RECON" Basic Upgrade Set
PE 351411	WWII German Sd.Kfz.250 NEU Stowage Bins & Fenders Upgrade Set
PE 351412	WWII German Sd.Kfz.250 NEU Armour Plate Upgrade Set
PR 35123	WWII German Sd.Kfz.250 /Sd.Kfz.10 Continental Standar Wheels Pattern
PR 35125	WWII German Sd.Kfz.250 /Sd.Kfz.10 Semperit Standar Wheels Pattern
PEA 492	WWII Sd.Kfz.250 Transmission Gearbox Upgrade set

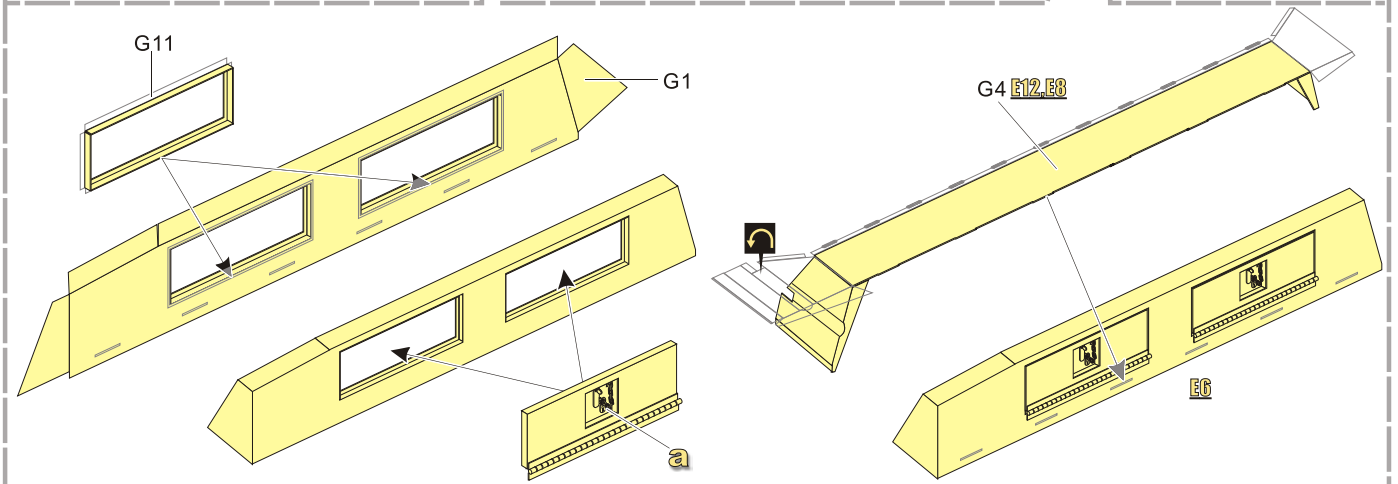
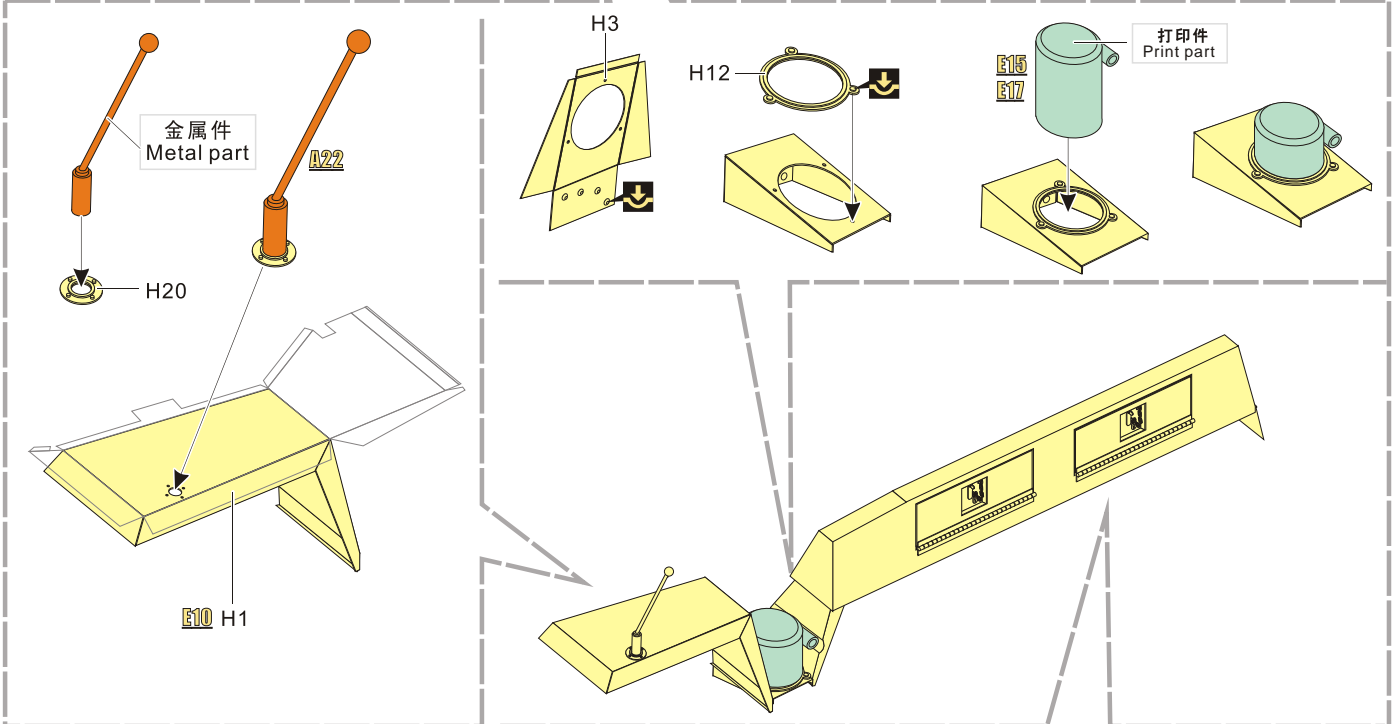
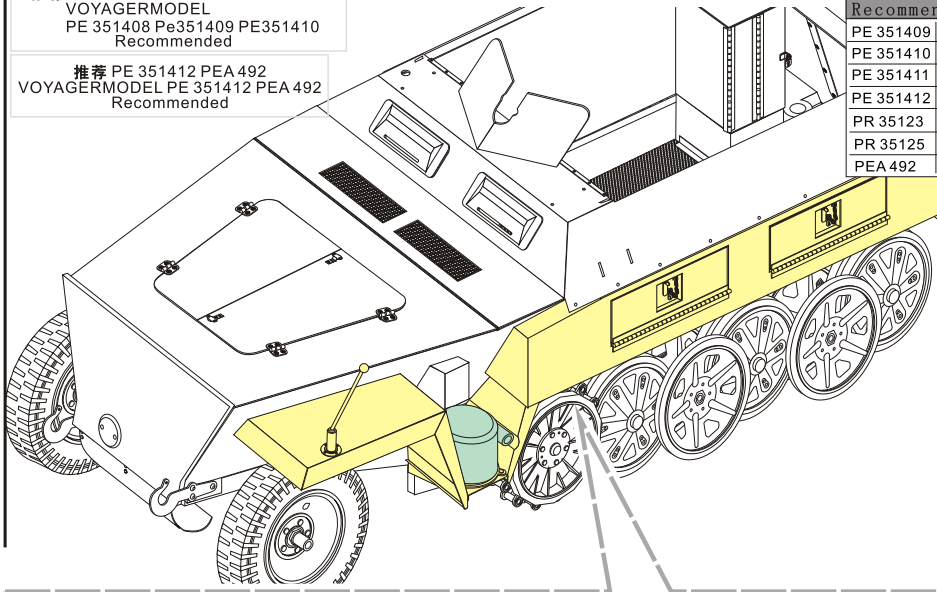
[Http://www.voyagermodel.com/productdetails.asp?itemid=PE351411](http://www.voyagermodel.com/productdetails.asp?itemid=PE351411)



**VOYAGER  
MODEL**



更多PE351411样品照片参考请扫一扫  
MORE PICTUER OF PE 351411  
REFERENCE SCAN HERE



1/35 MILITARY MINIATURE VEHICLE UPGRADE SERIES PE351411

推荐 Pr35123 Pr35124 Pr35125  
VOYAGERMODEL Pr35123 Pr35124 Pr35125  
Recommended

