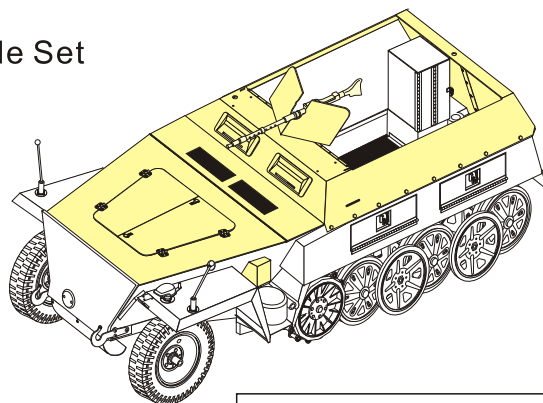


1/35 MILITARY MINIATURE VEHICLE UPGRADE SERIES PE351412

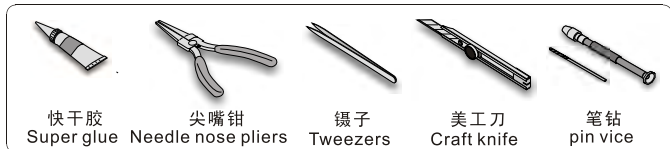
WWII German Sd.Kfz.250 NEU Armour Plate Upgrade Set

二战德军Sd.Kfz.250 NEU 装甲车装甲板改造件

[For DRAGON Kit]



推荐使用工具 RECOMMENDED TOOLS



快干胶
Super glue

尖嘴钳
Needle nose pliers

镊子
Tweezers

美工刀
Craft knife

笔钻
pin vice

↑
安装
install

↩
折叠
bend

A1
改造件零件编号
PE/resin part number

B12
原零件编号
kit part number

C22
被替换的原零件编号
replaced kit part number

↔
另一侧相同制作
repeat on opposite side

✂
切除
remove

🔪
打磨
grind off

📏
弧度卷曲
radial bending

🔢
制作若干组
multiple assembly

↔
选择安装
alternative

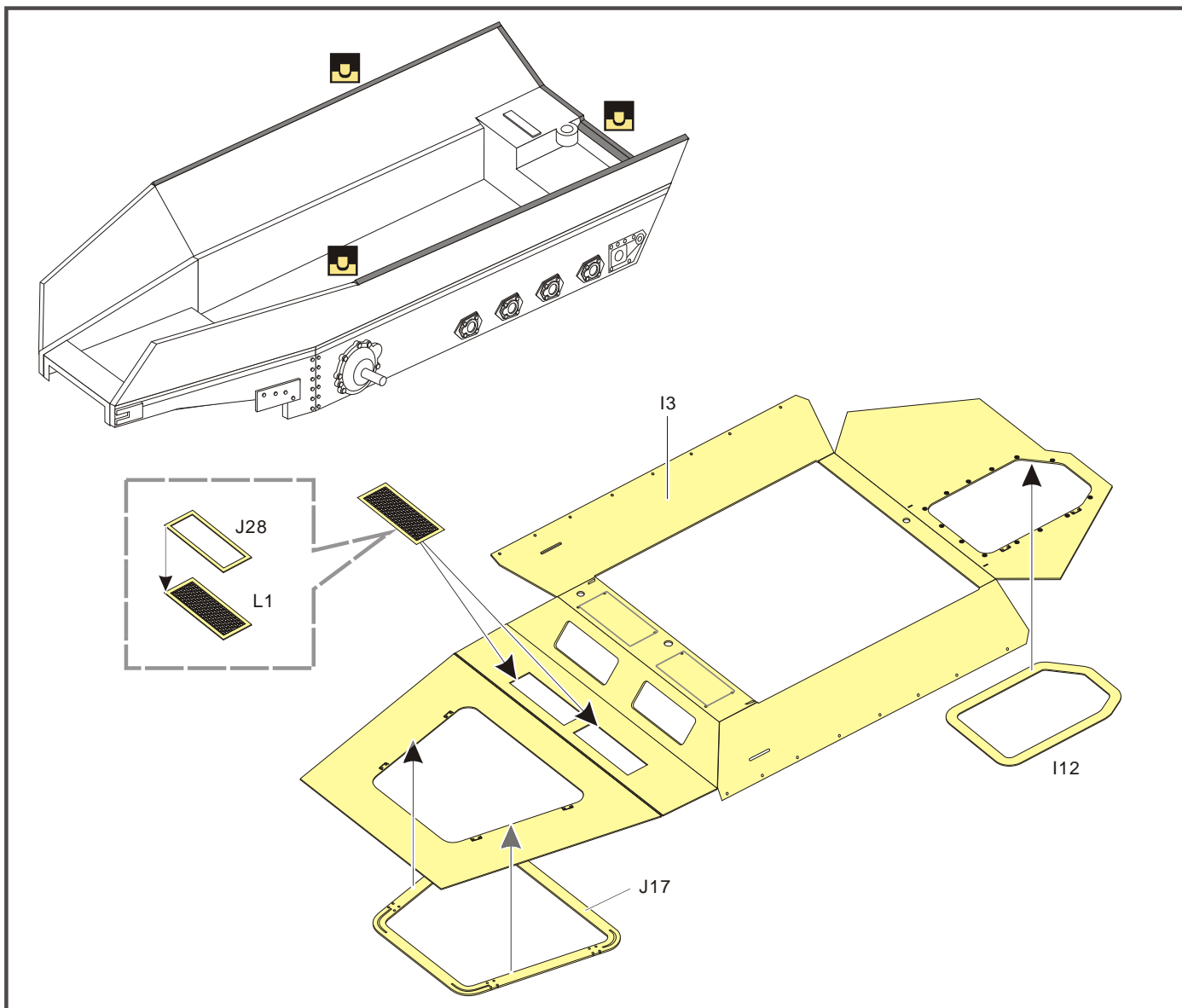
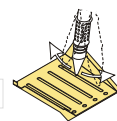
🔧
钻孔
drill

📏
用胶棒制作
make from plastic rod

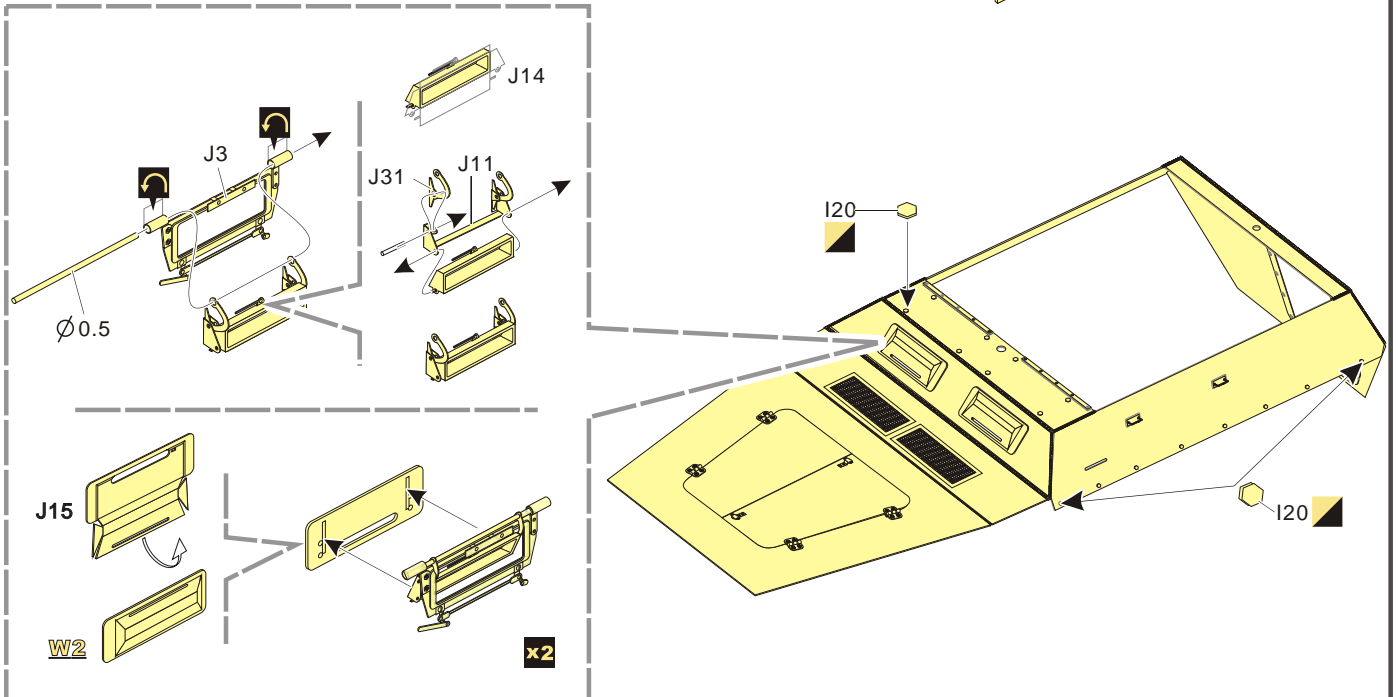
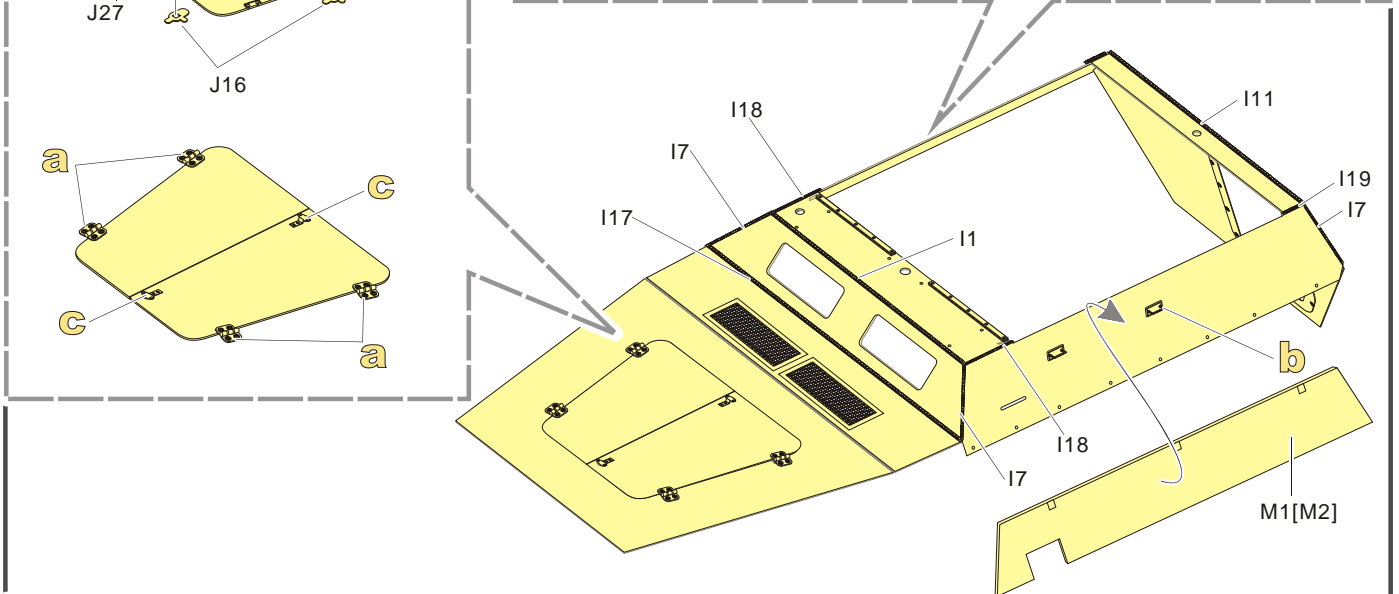
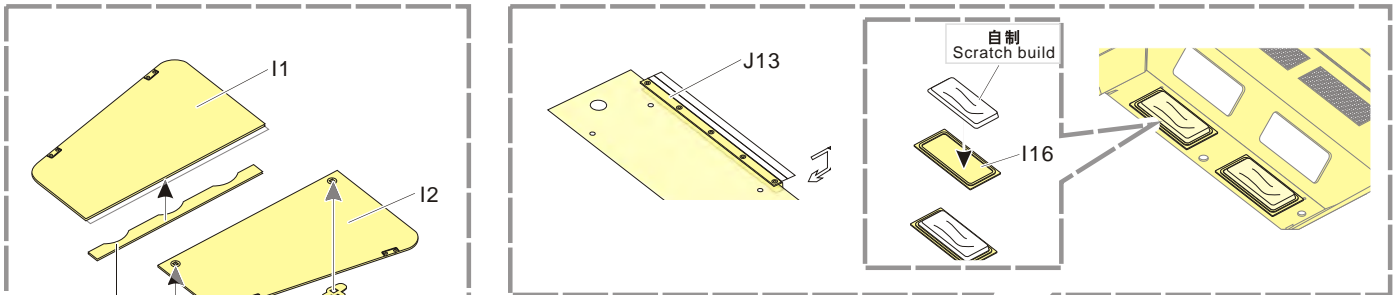
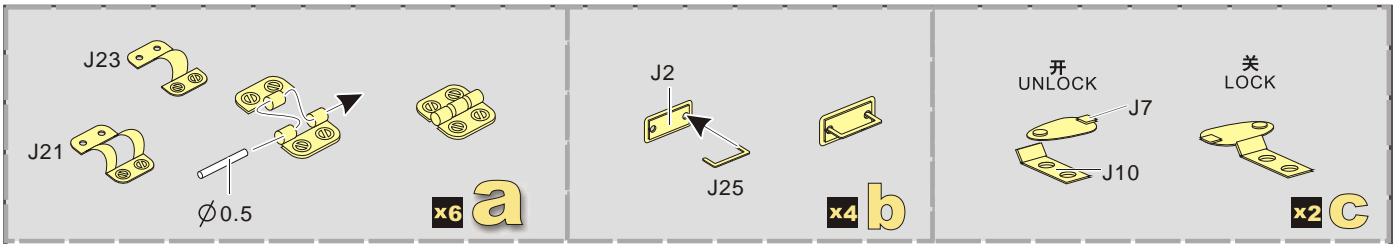
⬇
用尖端在凹槽处冲压
use penpoint to press on the dent

📏
蚀刻片零件内侧面向上
Put the part upside down

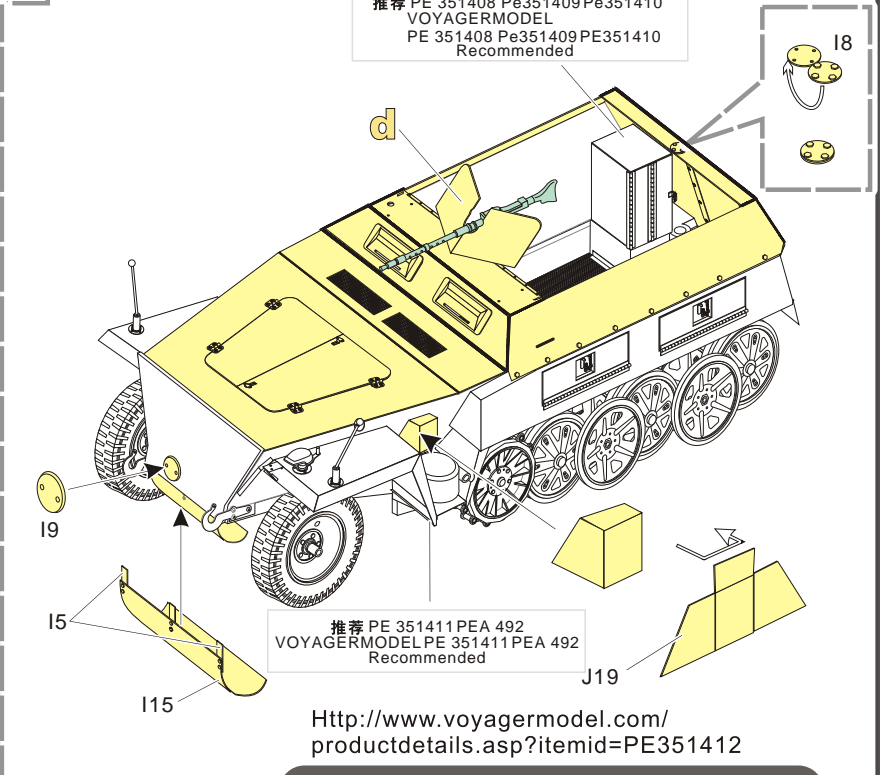
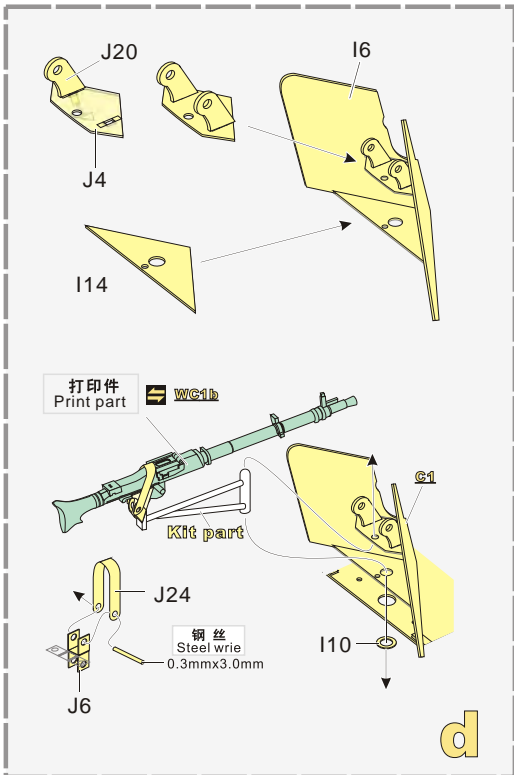
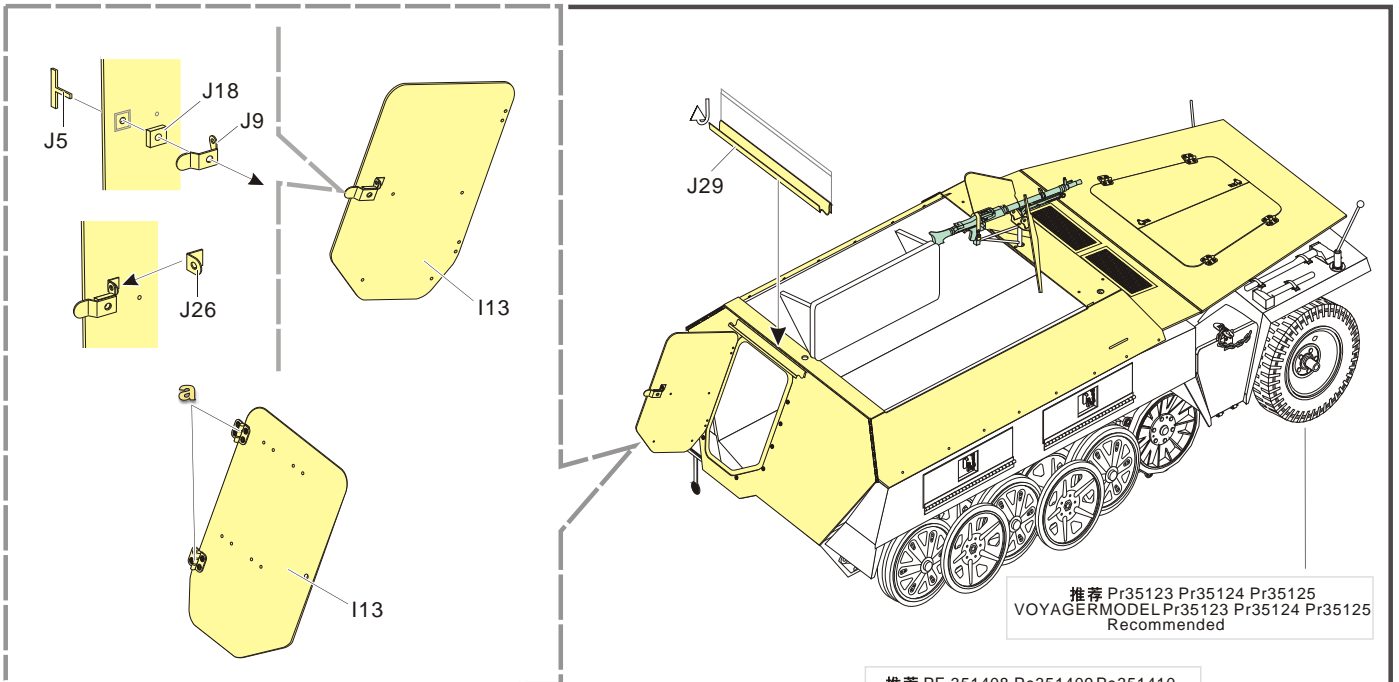
📏
用笔尖在凹槽处刮
Use penpoint to press on the dent



1/35 MILITARY MINIATURE VEHICLE UPGRADE SERIES PE351412



1/35 MILITARY MINIATURE VEHICLE UPGRADE SERIES PE351412



[Http://www.voyagermodel.com/productdetails.asp?itemid=PE351412](http://www.voyagermodel.com/productdetails.asp?itemid=PE351412)



**VOYAGER
MODEL**



更多PE351412样品照片参考请扫一扫
MORE PICTUER OF PE 351412
REFERENCE SCAN HERE

VOYAGERMODEL® 无微不至 极尽享受

Recommended item

PE 351409	WWII German Sd.Kfz.250/8 NEU"Stummel" Basic Upgrade Set
PE 351410	WWII German Sd.Kfz.250/9 NEU "RECON" Basic Upgrade Set
PE 351411	WWII German Sd.Kfz.250 NEU Stowage Bins & Fenders Upgrade Set
PE 351412	WWII German Sd.Kfz.250 NEU Armour Plate Upgrade Set
PR 35123	WWII German Sd.Kfz.250 /Sd.Kfz.10 Continental Standar Wheels Pattern
PR 35125	WWII German Sd.Kfz.250 /Sd.Kfz.10 Semperit Standar Wheels Pattern
PEA 492	WWII Sd.Kfz.250 Transmission Gearbox Upgrade set