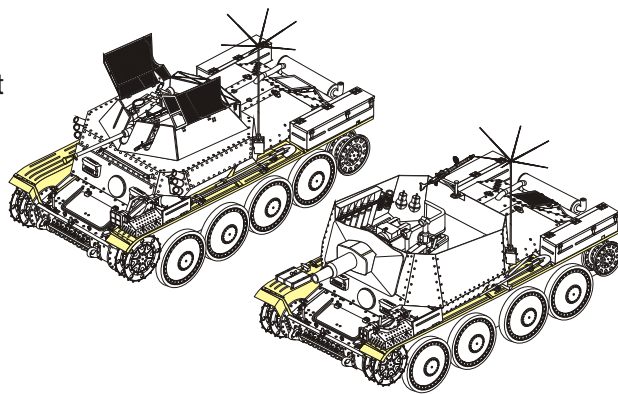


1/35 MILITARY MINIATURE VEHICLE UPGRADE SERIES PE351434

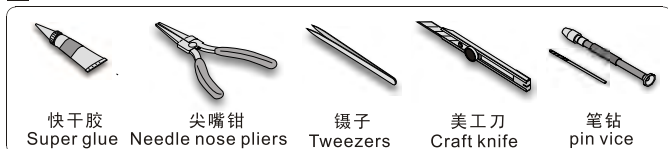
## WWII German Pz.Kpfw.38(t) Fenders Upgrade set

### 二战德军38(t)底盘翼子板改造件

[FOR DRAGON KIT]



#### 推荐使用工具 RECOMMENDED TOOLS



快干胶  
Super glue

尖嘴钳  
Needle nose pliers

镊子  
Tweezers

美工刀  
Craft knife

笔钻  
pin vice

↑  
安装  
install

↩  
折叠  
bend

**A1**  
改造件零件编号  
PE/resin part number

**B12**  
原零件编号  
kit part number

**C22**  
被替换的原零件编号  
replaced kit part number

▲  
另一侧相同制作  
repeat on opposite side

✂  
切除  
remove

▨  
打磨  
grind off

↶  
弧度卷曲  
radial bending

✖  
制作若干组  
multiple assembly

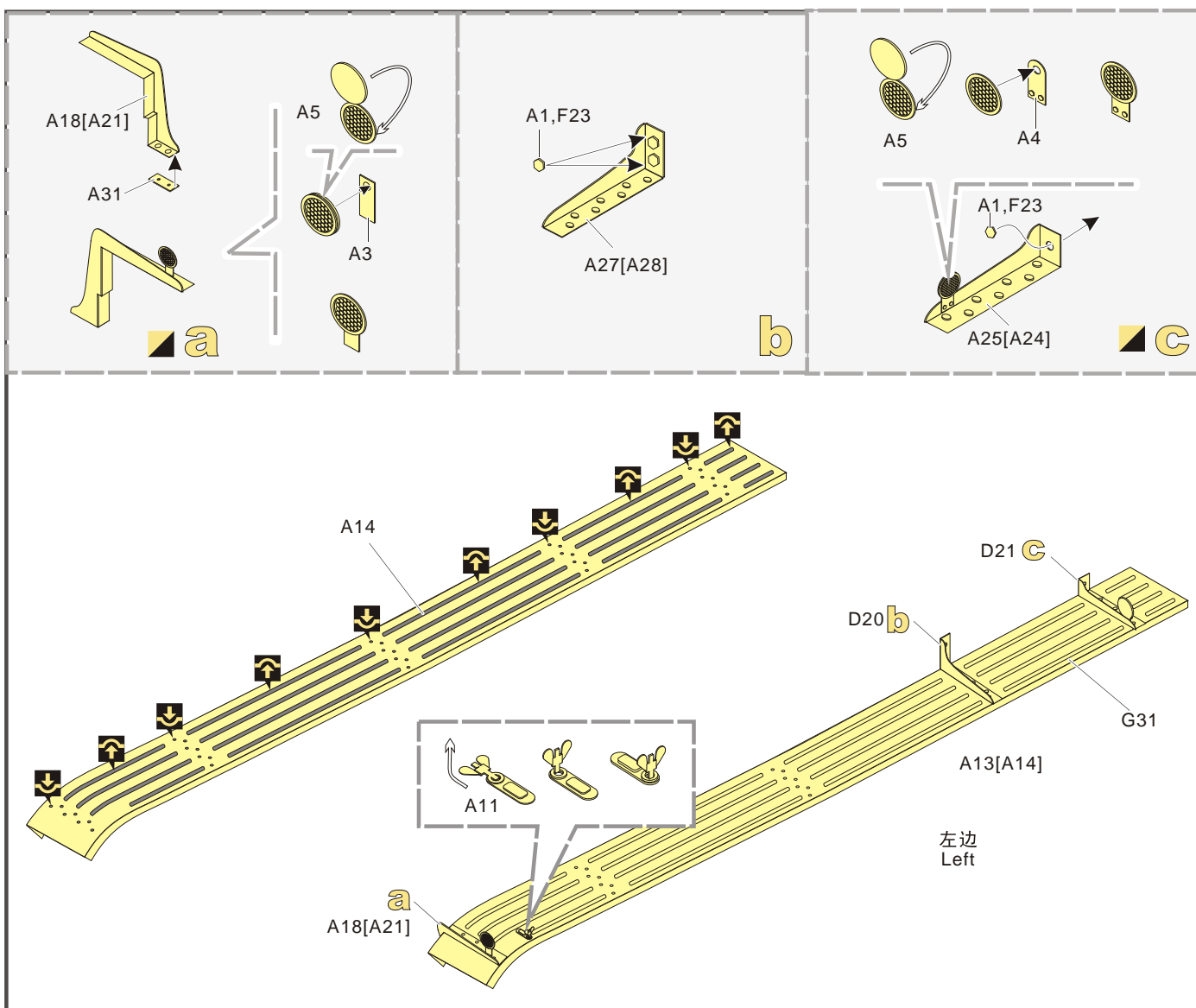
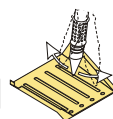
⇄  
选择安装  
alternative

⚪  
钻孔  
drill

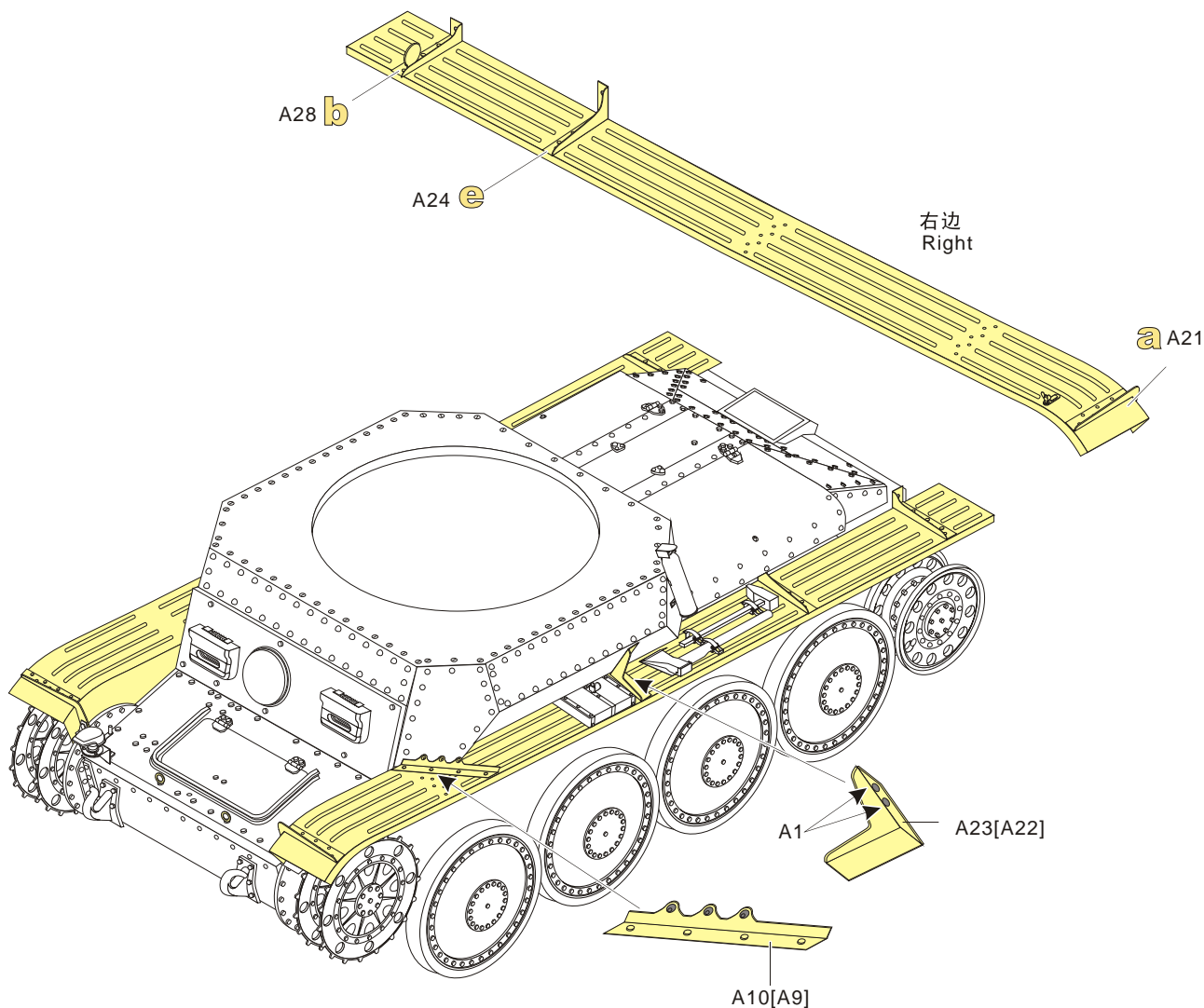
↓  
用尖端在凹槽处冲压  
use penpoint to press on the dent

▨  
蚀刻片零件内侧面向上  
Put the part upside down

▨  
用笔尖在凹槽处刮  
Use penpoint to press on the dent



1/16 MILITARY MINIATURE VEHICLE UPGRADE SERIES PE351434



[Http://www.voyagermodel.com/productdetails.asp?itemid=PE351434](http://www.voyagermodel.com/productdetails.asp?itemid=PE351434)

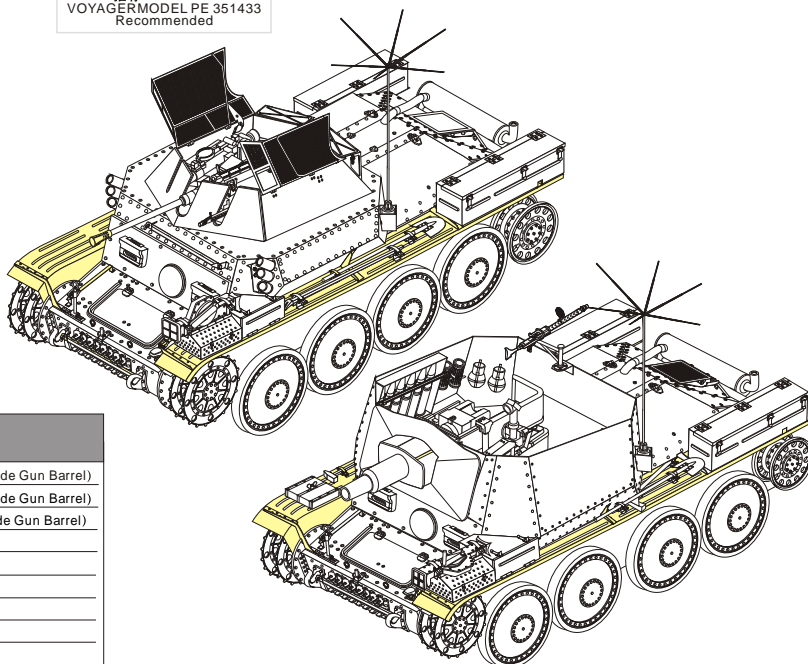
推荐 PE 351433  
VOYAGERMODEL PE 351433  
Recommended



**VOYAGER  
MODEL**



更多PE351434样品照片参考请扫一扫  
MORE PICTUER OF PE 351434  
REFERENCE SCAN HERE



VOYAGERMODEL® 无微不至 悦享享受

Recommended item

PE 35666	WWII German Sd.Kfz.138/2 Hetzer Tank Destroyer Early Version (B ver include Gun Barrel)
PE 351052	WWII German Sd.Kfz.138/2 Hetzer Tank Destroyer Early Version (B ver include Gun Barrel)
PE 351053	WWII German Sd.Kfz.138/2 Hetzer Tank Destroyer Late Version (B ver include Gun Barrel)
PE 35112	WWII German Pz.Kpfw.38(t)Ausf.E/F
PE 35134	WWII German Pz.Kpfw.38(t)Ausf.G
PE 35143	WWII German Pz.Kpfw.38(t)Ausf.G
PE 35916	WWII German Bergepanzer Hetzer Basic
PE 35147	WWII German Aufklarungspanzer38(t)
PE 35945	WWII German Tank Destroyer Marder III (Sd.Kfz.139)Basic