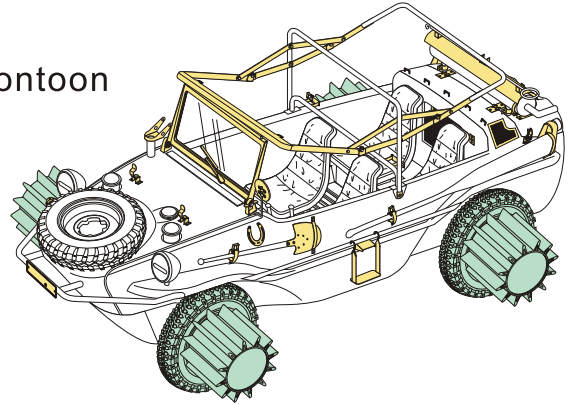


1/35 MILITARY MINIATURE VEHICLE UPGRADE SERIES PE351508

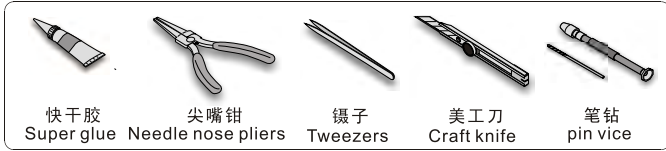
# WWII German Schwimmwagen Type 166 w/Pontoon










## 二战德军水陆2用吉普车带浮渡筒改造件


[For TAMIYA 35224]



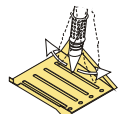
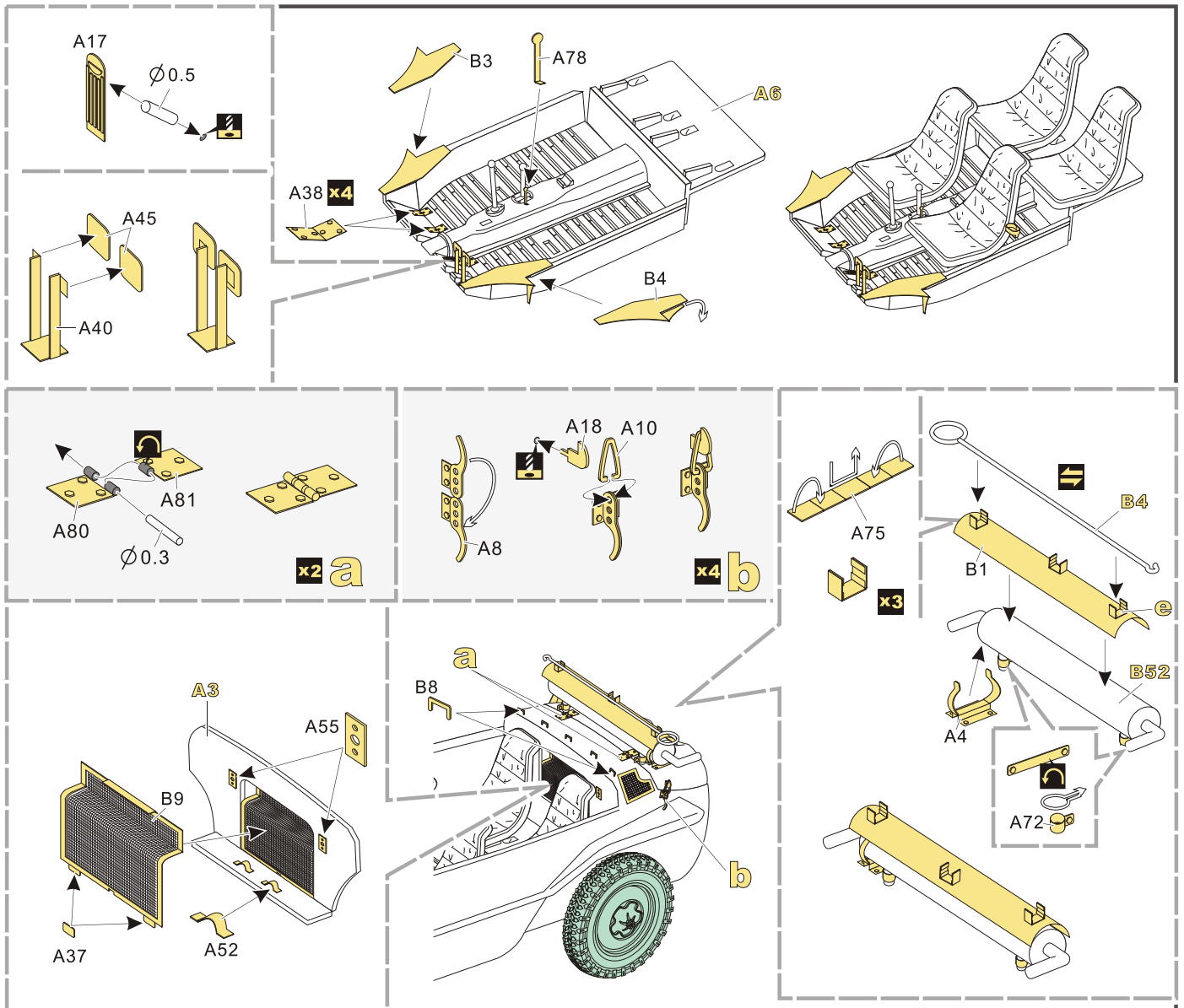
### 推荐使用工具 RECOMMENDED TOOLS



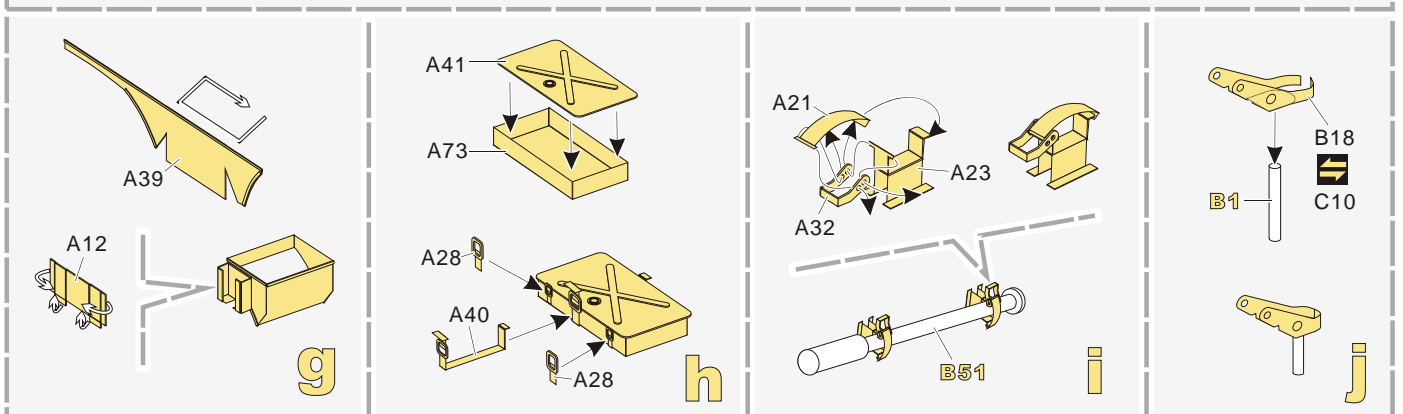
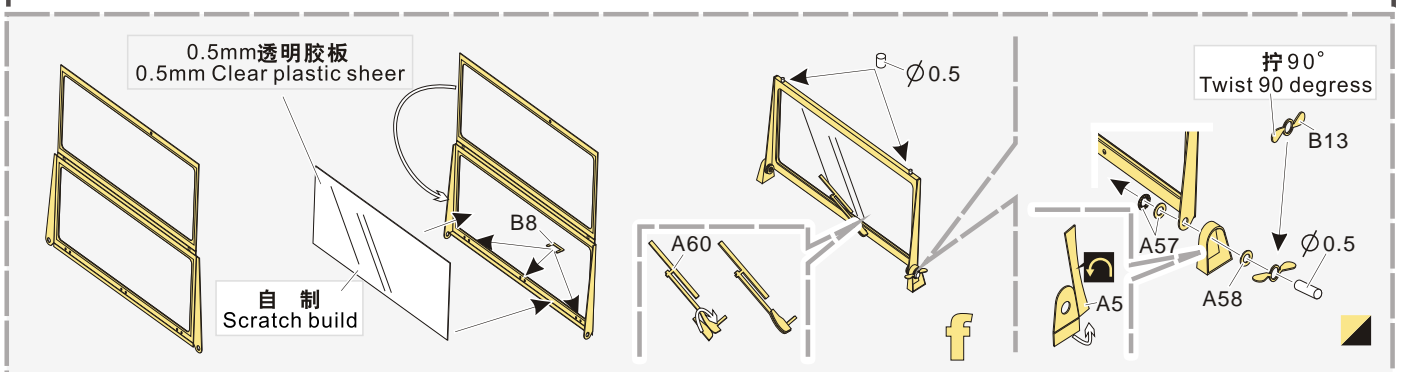
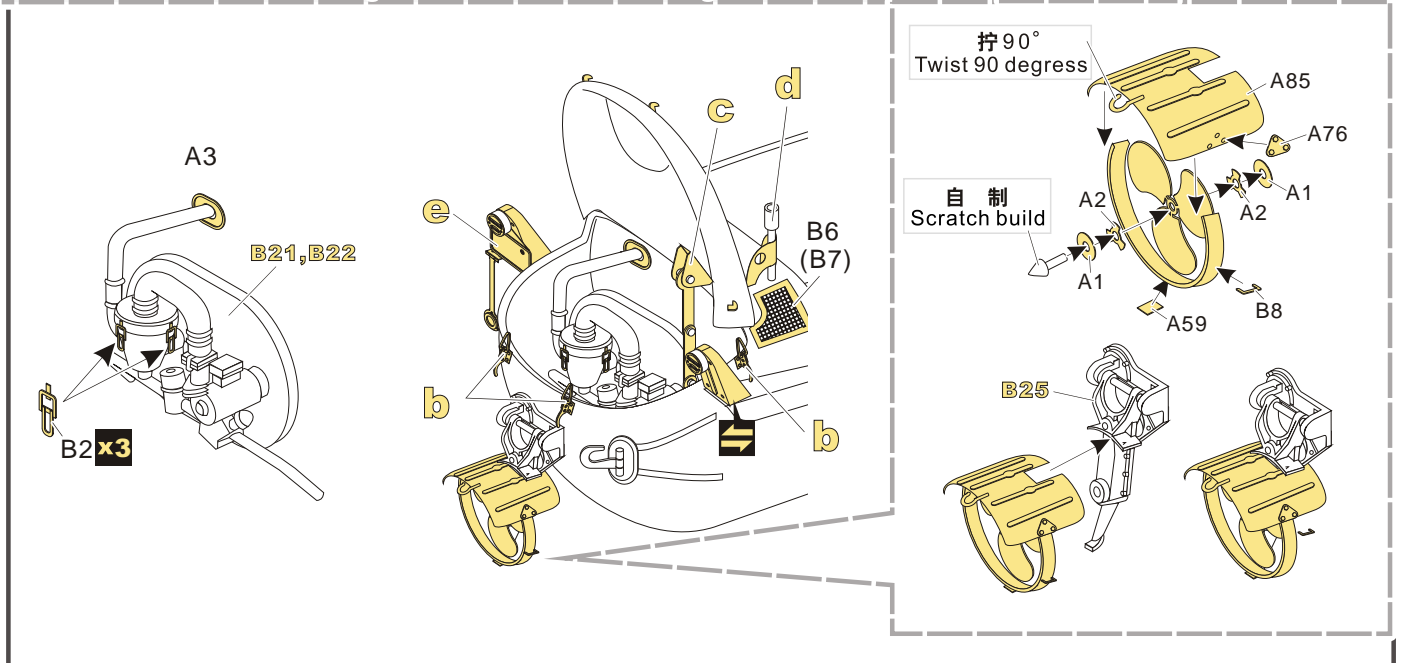
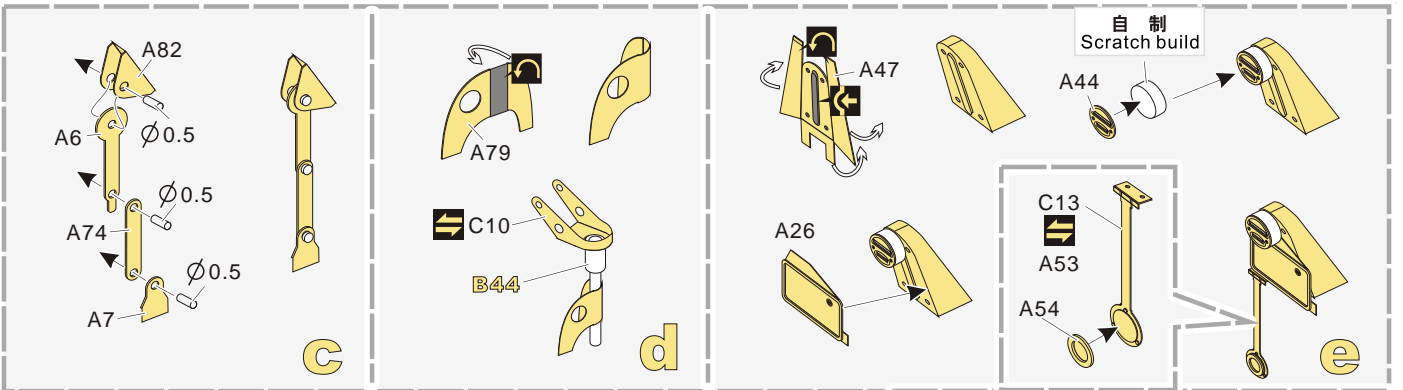
-   
**安装**  
install
-   
**折叠**  
bend
- A1**  
 改造件零件编号  
PE/resin part number
- B12**  
 原零件编号  
kit part number
- C22**  
 被替换的原零件编号  
replaced kit part number
-   
 另一侧相同制作  
repeat on opposite side
-   
**切除**  
remove
-   
**打磨**  
grind off
-   
**弧度卷曲**  
radial bending
- x2**  
 制作若干组  
multiple assembly
-   
**选择安装**  
alternative
-   
**用铜管制作**  
make from brass tube
-   
**用胶棒制作**  
make from plastic rod

  
 用尖端在凹槽处冲压  
use penpoint to press on the dent

蚀刻片零件内侧面向上  
Put the part upside down  
 用笔尖在凹槽处刺  
Use penpoint to press on the dent





1/35 MILITARY MINIATURE VEHICLE UPGRADE SERIES PE351508



1/35 MILITARY MINIATURE VEHICLE UPGRADE SERIES PE351508

打印件  
Print part




右前轮  
RIGHT-FRONT WHEEL

打印件  
Print part

打印件  
Print part

x1 **k**

打印件  
Print part




备用轮  
SPARE WHEEL

打印件  
Print part

x1 **m**

打印件  
Print part



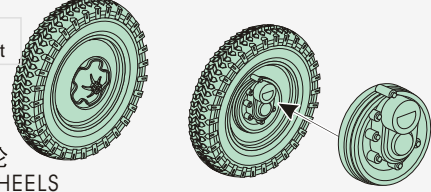
左前轮  
LEFT-FRONT WHEEL

打印件  
Print part

打印件  
Print part

x1 **l**

打印件  
Print part



后轮  
REAR WHEELS

打印件  
Print part

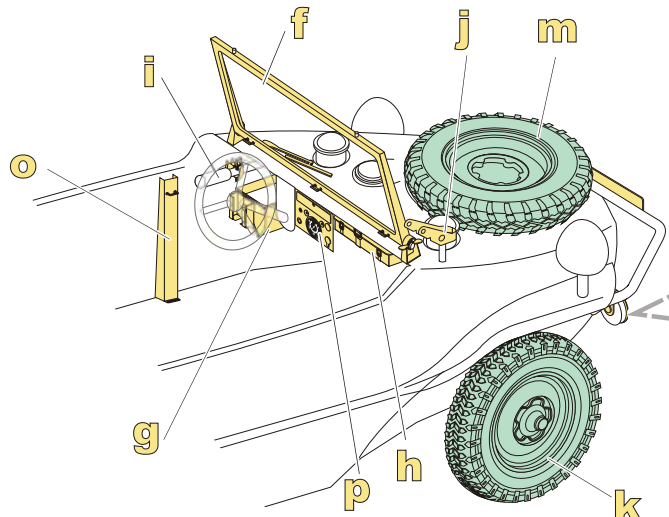
打印件  
Print part

x2 **n**

B8

A11

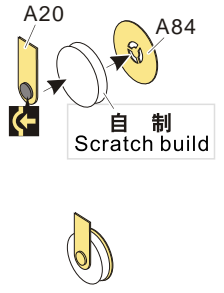
x2 **o**



A20

A84

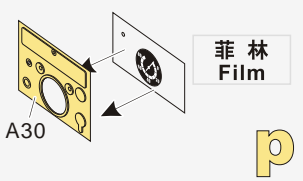
自制  
Scratch build

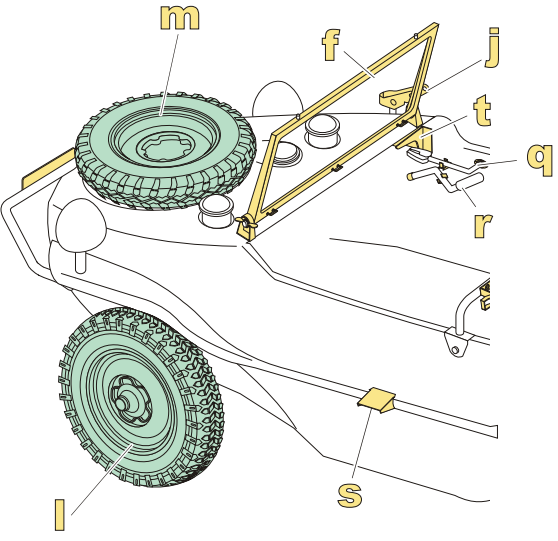


A30

菲林  
Film

**p**





A75

A83

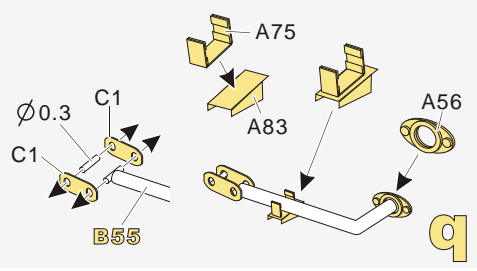
A56

q

∅0.3

C1

B55

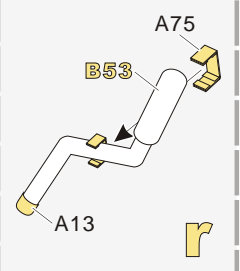


A75

B53


A13

r



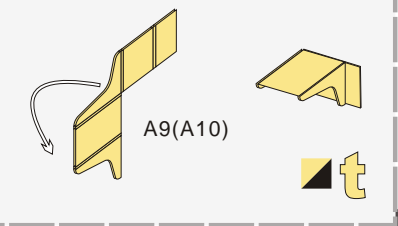
A50

x2 **s**

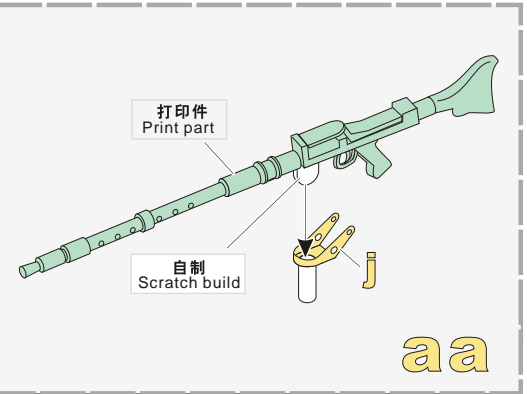
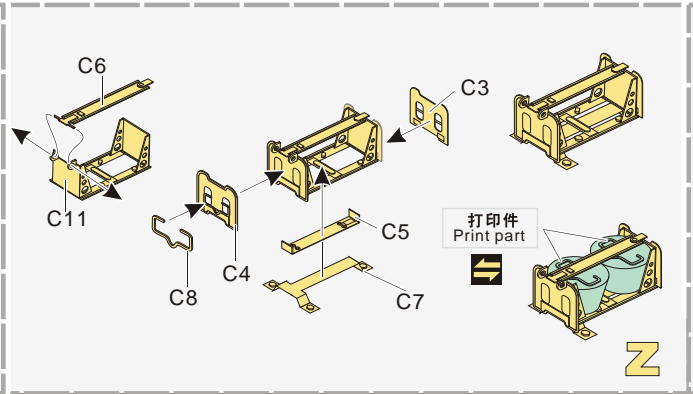
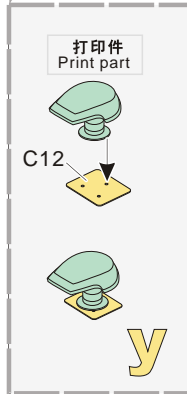
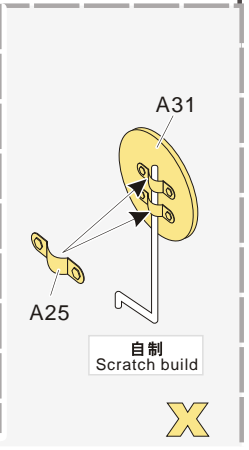
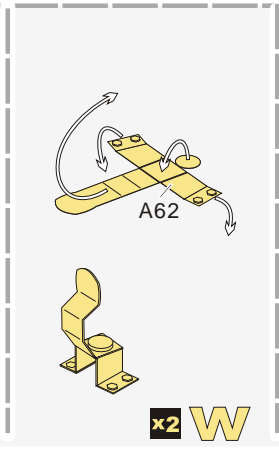
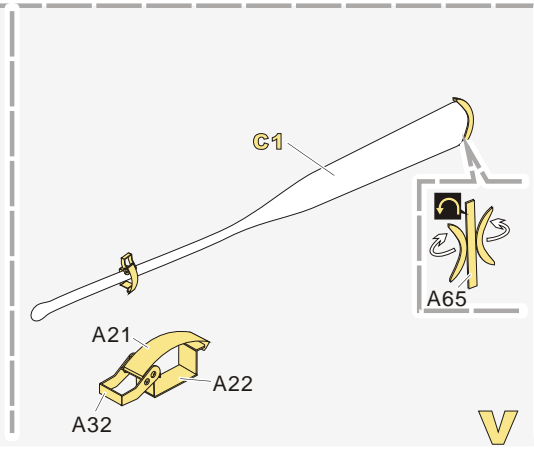
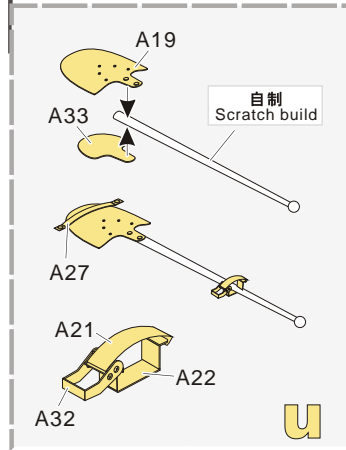
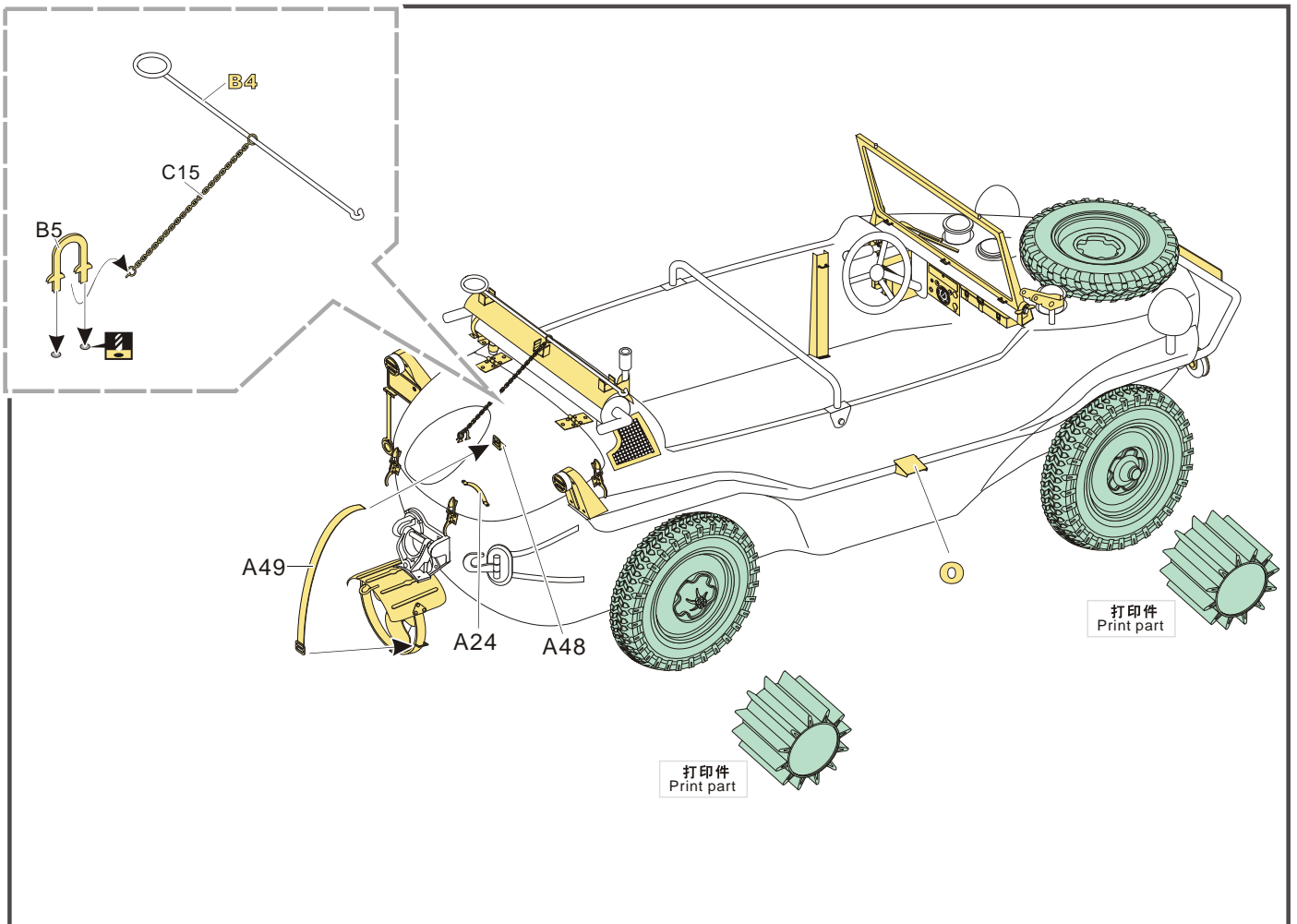


A9(A10)

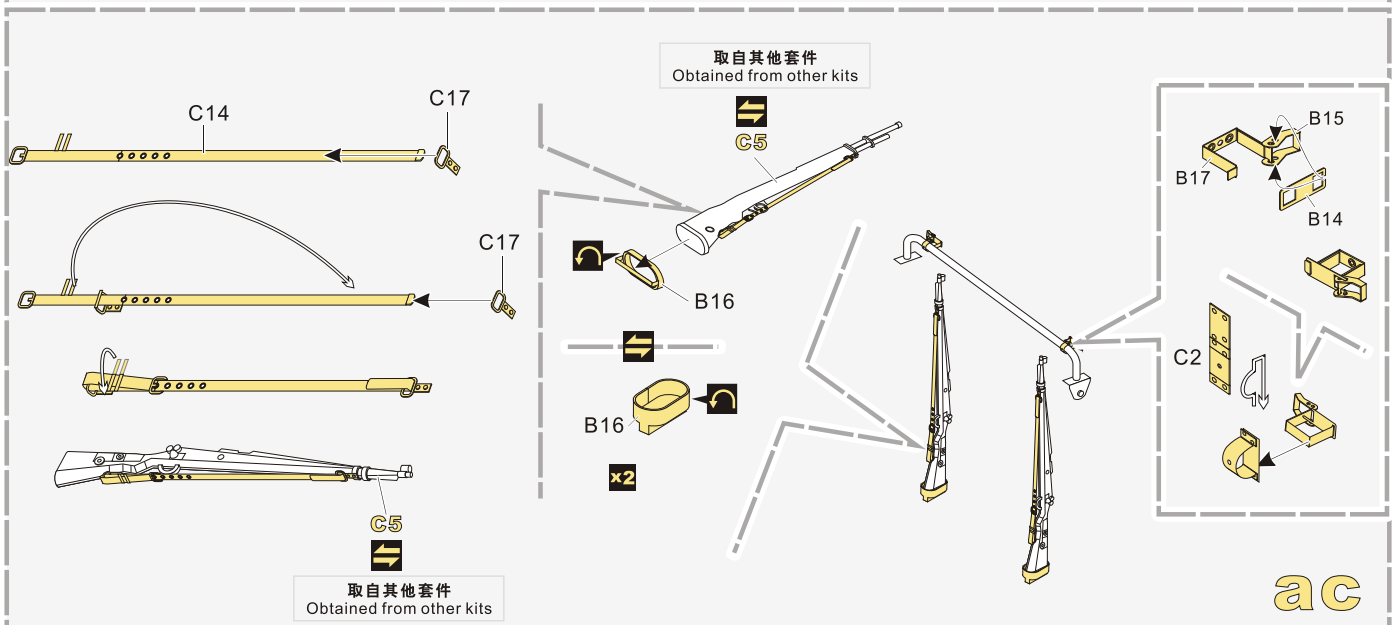
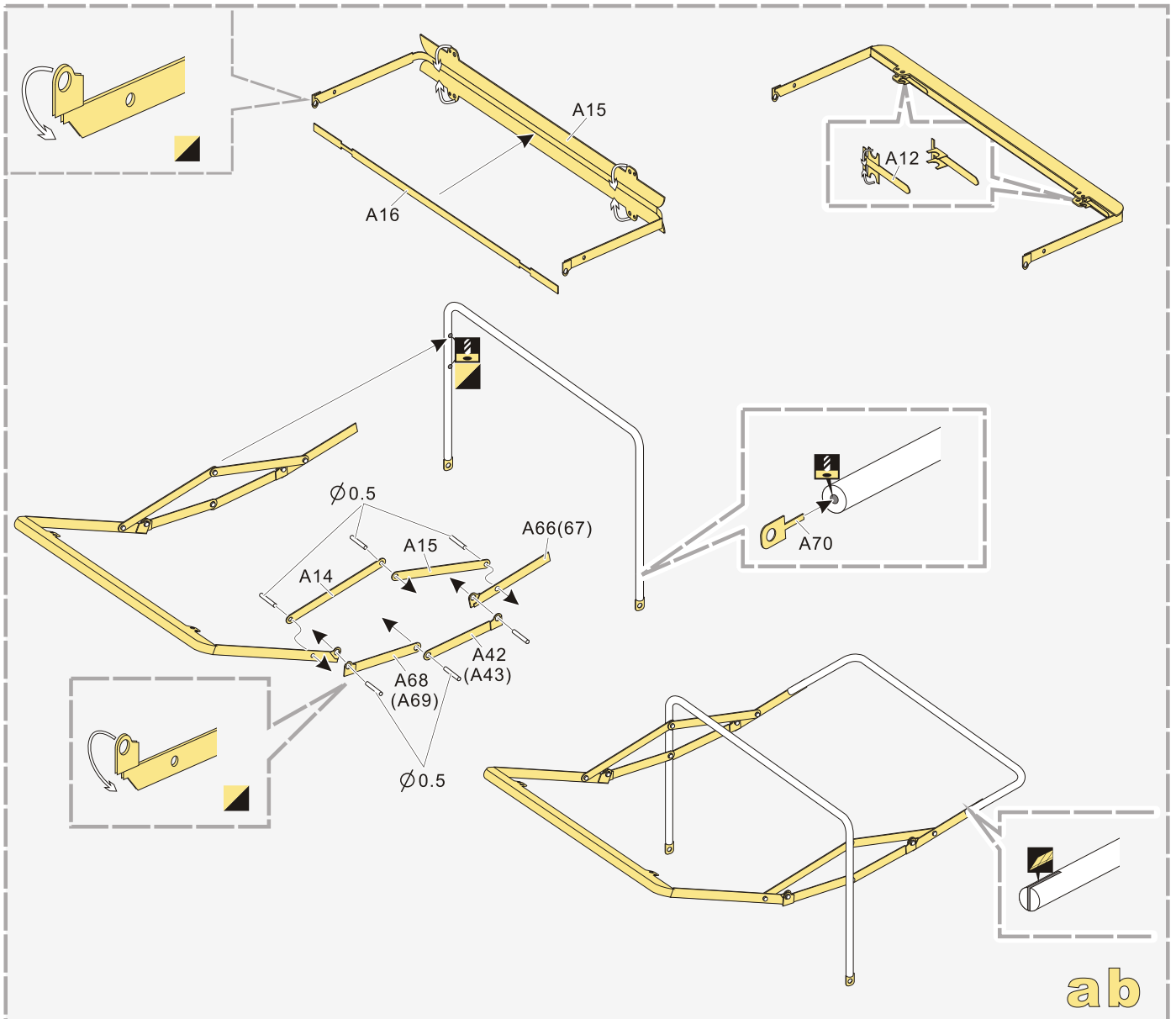
**t**



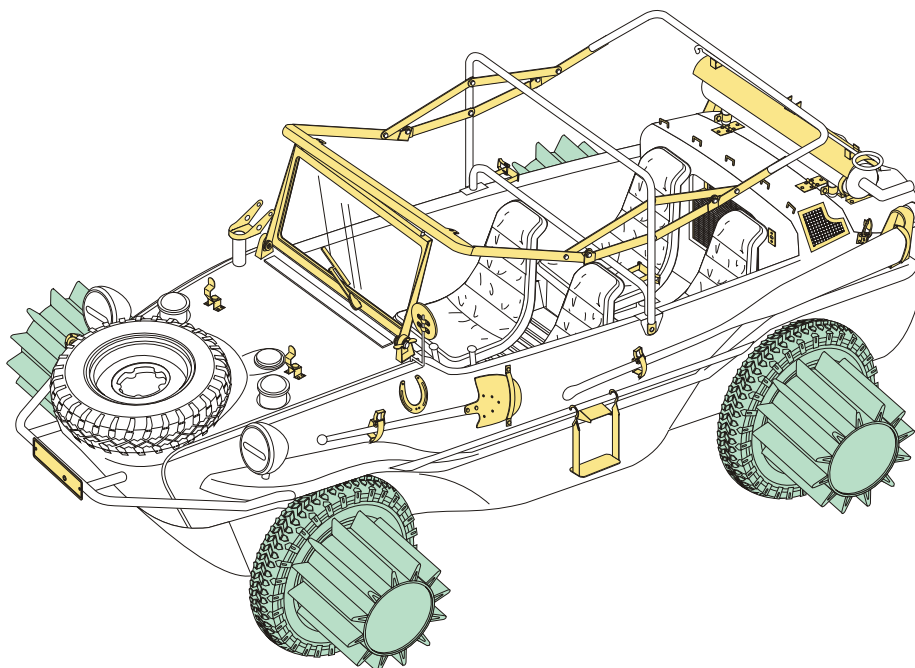
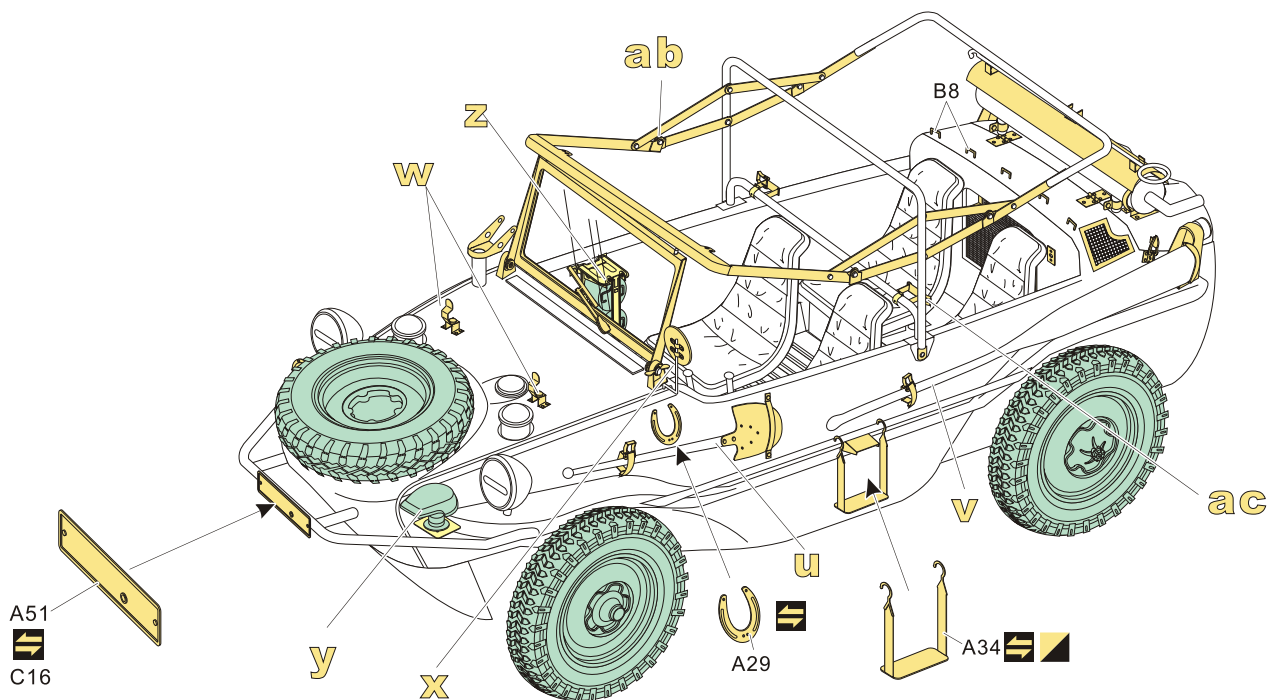
1/35 MILITARY MINIATURE VEHICLE UPGRADE SERIES PE351508



1/35 MILITARY MINIATURE VEHICLE UPGRADE SERIES PE351508



1/35 MILITARY MINIATURE VEHICLE UPGRADE SERIES PE351508



[Http://www.voyagermodel.com/productdetails.asp?itemid=PE351508](http://www.voyagermodel.com/productdetails.asp?itemid=PE351508)



**VOYAGER  
MODEL**



更多PE351508样品照片参考请扫一扫  
MORE PICTUER OF PE 351508  
REFERENCE SCAN HERE

VOYAGERMODEL® 无微不至 极尽享受	
Recommended item	
PR 35121	WWII German Schwimmwagen Type 166 Standar Wheels w/Pontoon
PR 35119	WWII German Schwimmwagen Type 166 Wide Wheels Pattern 1
PR 35118	WWII German Kubelwagen Type 82 Standar Wheels Pattern 3
PR 35114	WWII German Kubelwagen Type 82 Standar Wheels Pattern 1
PR 35115	WWII German Kubelwagen Type 82 Standar Wheels Pattern 2
PE 351508	WWII German Schwimmwagen Type 166 w/Pontoon
PE 351314	WWII German Kubelwagen Type 82 Africa Troop Version Basic Upgrade Set
PE 351315	WWII German Kubelwagen Type 82 Basic Upgrade Set
PE 351316	WWII German Pkw.K1 Type 823 Basic Upgrade Set B.ver.included wheels?