

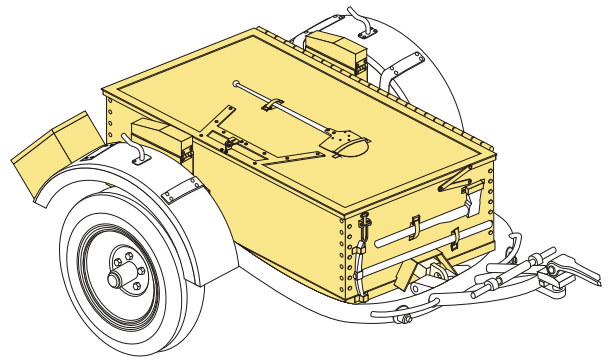
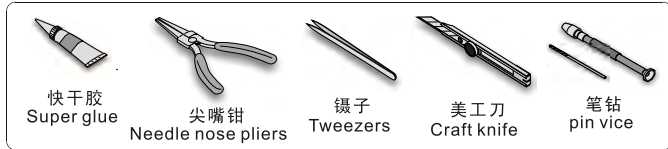
1/35 MILITARY MINIATURE VEHICLE UPGRADE SERIES PE35231

WWII German Sd.Anhanger 51

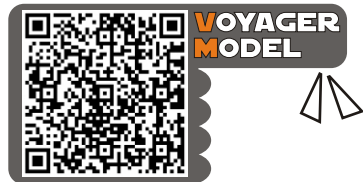
二战德军Sd.Anhanger 51弹药运输车

[For DRAGON Kit]

推荐使用工具 RECOMMENDED TOOLS



<http://www.voyagermodel.com/productdetails.asp?itemid=PE35231>



更多PE35231样品照片参考请扫一扫
MORE PICTUER OF PE 35231
REFERENCE SCAN HERE

↑ 安装 install
A1 改造件零件编号 PE/resin part number
B12 原零件编号 kit part number
C22 被替换的原零件编号 replaced kit part number

✂ 切除 remove
🔪 打磨 grind off
📐 弧度卷曲 radial bending
✖2 制作若干组 multiple assembly
↔ 选择安装 alternative

⚠ 注意 caution
🔧 扩孔 ream
🔩 钻孔 drill
🔄 另一侧相同制作 repeat on opposite side

↓ 用尖端在凹槽处冲压
use penpoint to press on the dent

独制片零件内侧面向上
Put the part upside down

用笔尖在凹槽处刮
Use penpoint to press on the dent

AP 14 ↔ AP 9
AP 13
AP 12
Ø 0.3mm
金属件 Metal part
a x8
b
K4
G8
K8
c

AP 15 ↔ AP 10

AP 1
AP 4
AP 5
AP 3
AP 6
AP 2
AP 5
AP 3
AP 1
d

G19
G17
G16
G18
左 Left
右 Right
e

K1
G4
b
G23
Ø 0.3mm

K10
K9
K11

1/35 MILITARY MINIATURE VEHICLE UPGRADE SERIES PE35231

