

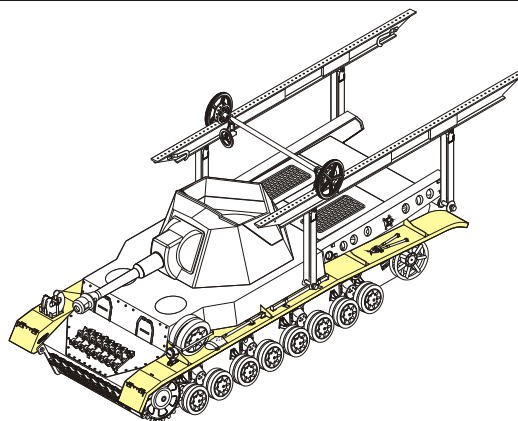
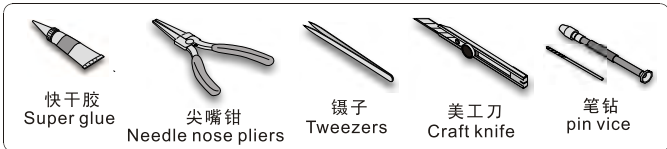
1/35 MILITARY MINIATURE VEHICLE UPGRADE SERIES PE35261

WWII German Heuschrecke Ivb Grasshopper Fenders

二战德军“蚱蜢”自行榴弹炮翼子板改造件

[For Trumpeter 00373]

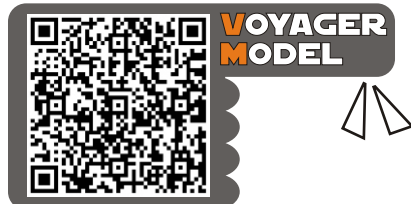
推荐使用工具 RECOMMENDED TOOLS



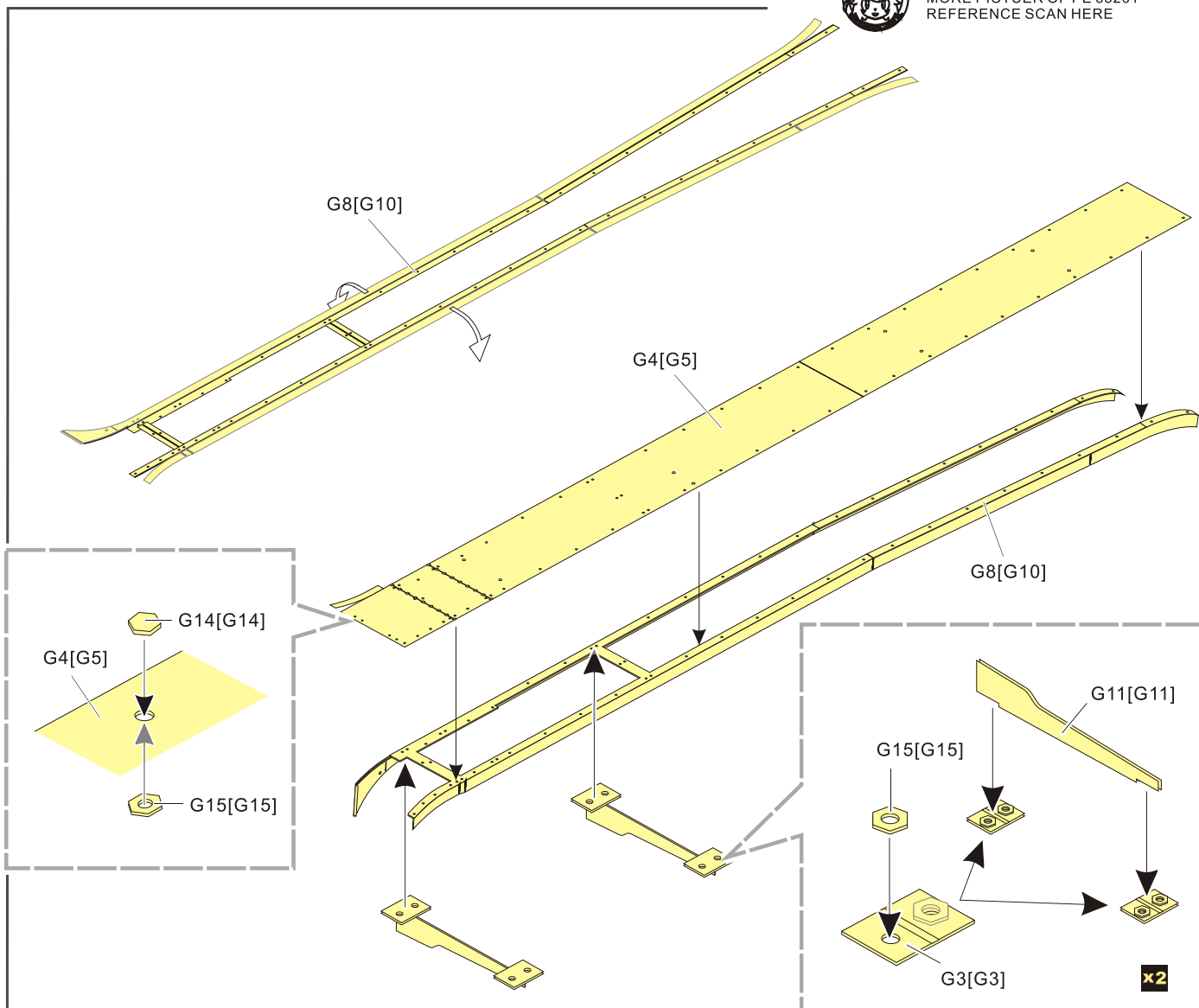
[Http://www.voyagermodel.com/productdetails.asp?itemid=PE35261](http://www.voyagermodel.com/productdetails.asp?itemid=PE35261)

- 
 安装
install
- 
 折叠
bend
- A1**
 改造件零件编号
PE/resin part number
- C22**
 被替换的原零件编号
replaced kit part number
- 
 弧度卷曲
radial bending

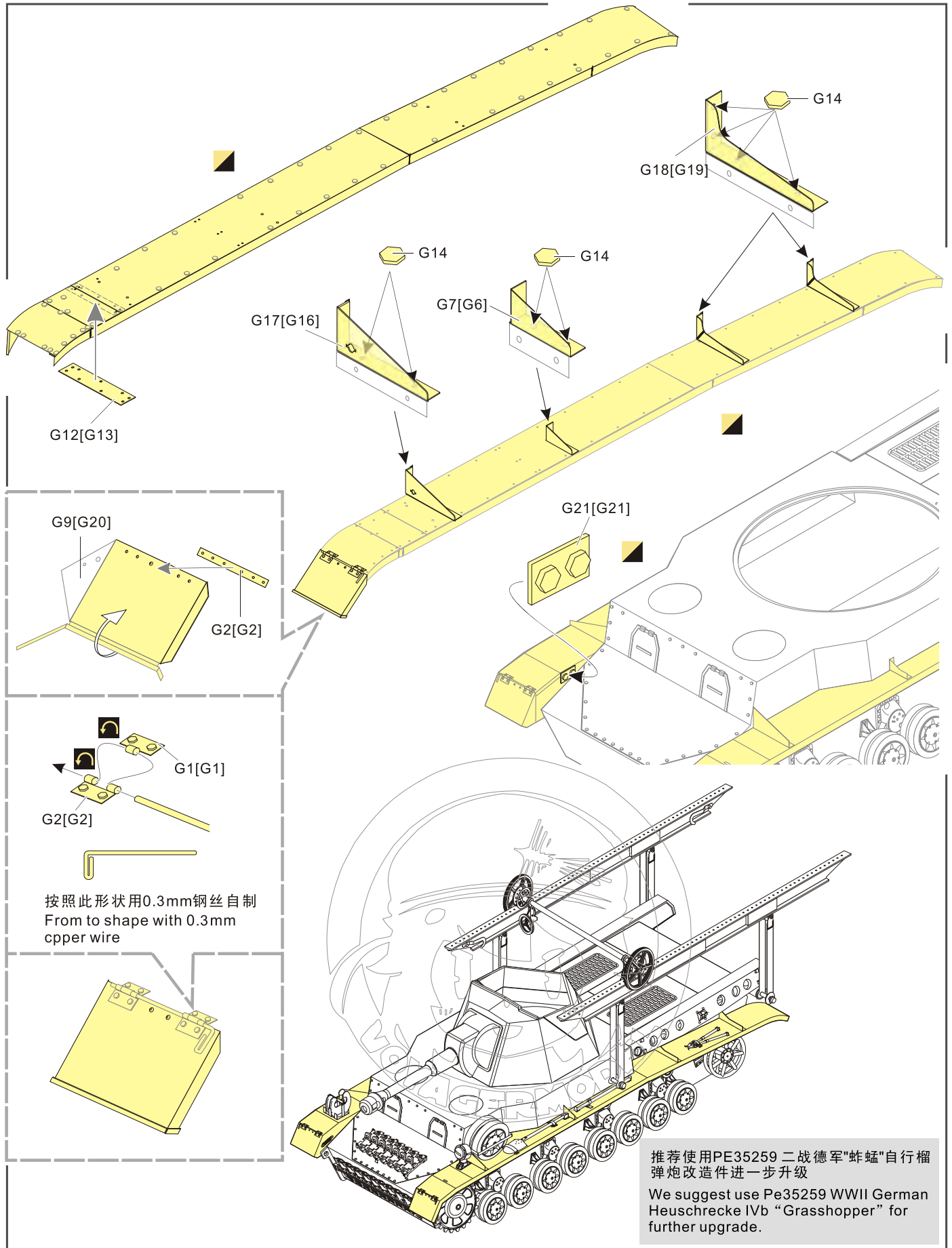
- 
 注意
caution
- x2**
 制作若干组
multiple assembly
- 
 用胶棒制作
make from plastic rod
- 
 另一侧相同制作
repeat on opposite side



更多PE35261样品照片参考请扫一扫
MORE PICTUER OF PE 35261
REFERENCE SCAN HERE



1/35 MILITARY MINIATURE VEHICLE UPGRADE SERIES PE35261



按照此形状用0.3mm钢丝自制
From to shape with 0.3mm
copper wire

推荐使用PE35259 二战德军“蚱蜢”自行榴弹炮改造件进一步升级

We suggest use Pe35259 WWII German Heuschrecke IVb “Grasshopper” for further upgrade.