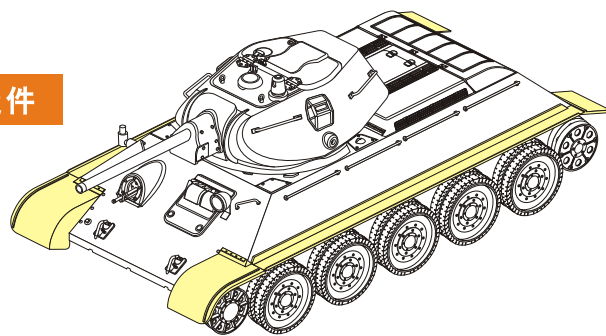


1/35 MILITARY MINIATURE VEHICLE UPGRADE SERIES PE35268

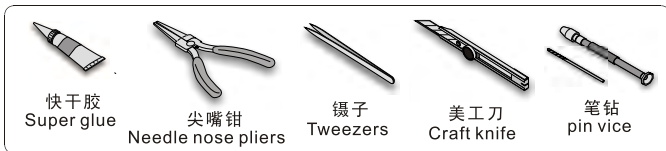
# WWII Russia T-34/76 No.112 Factory Late Production Fenders

## 二战苏联T-34/76 112工厂后期生产型翼子板改造件

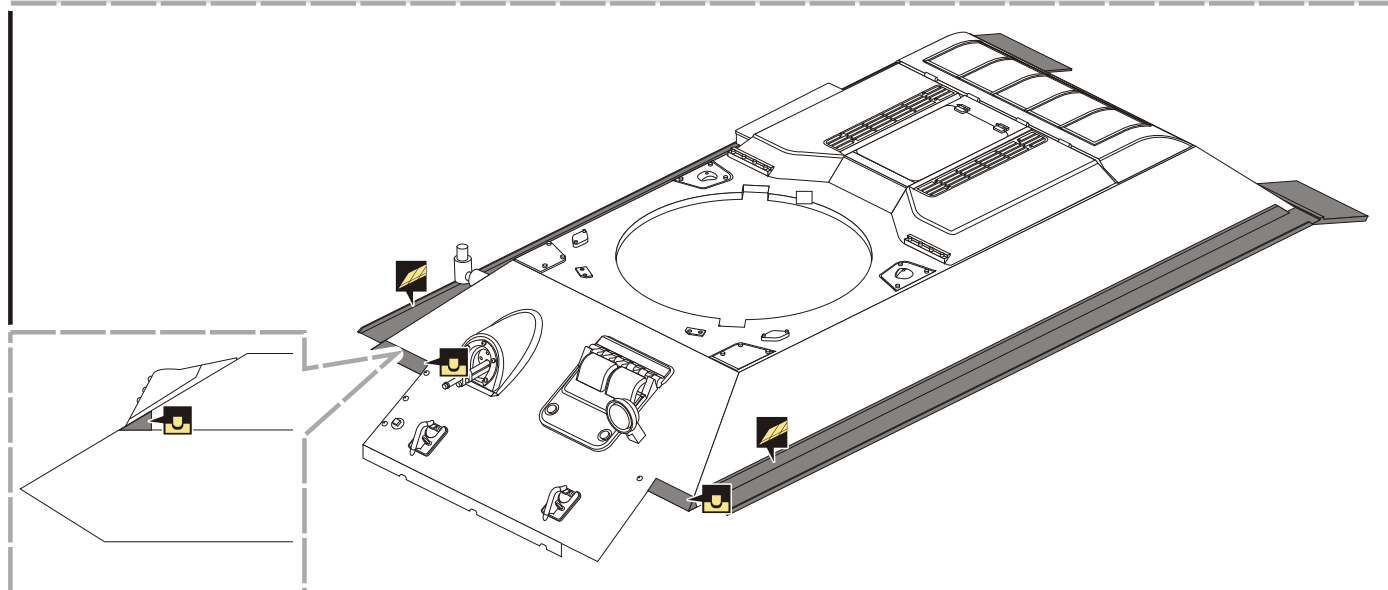
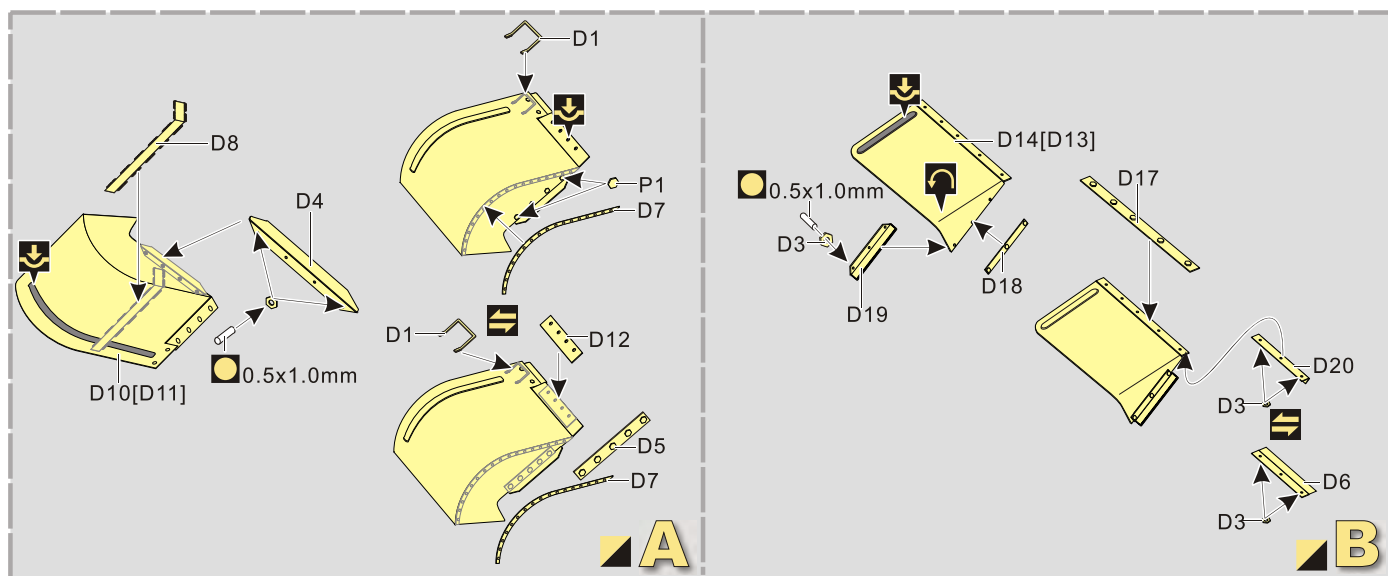
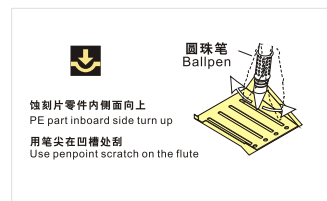
[For DRAGON 6479/6452]



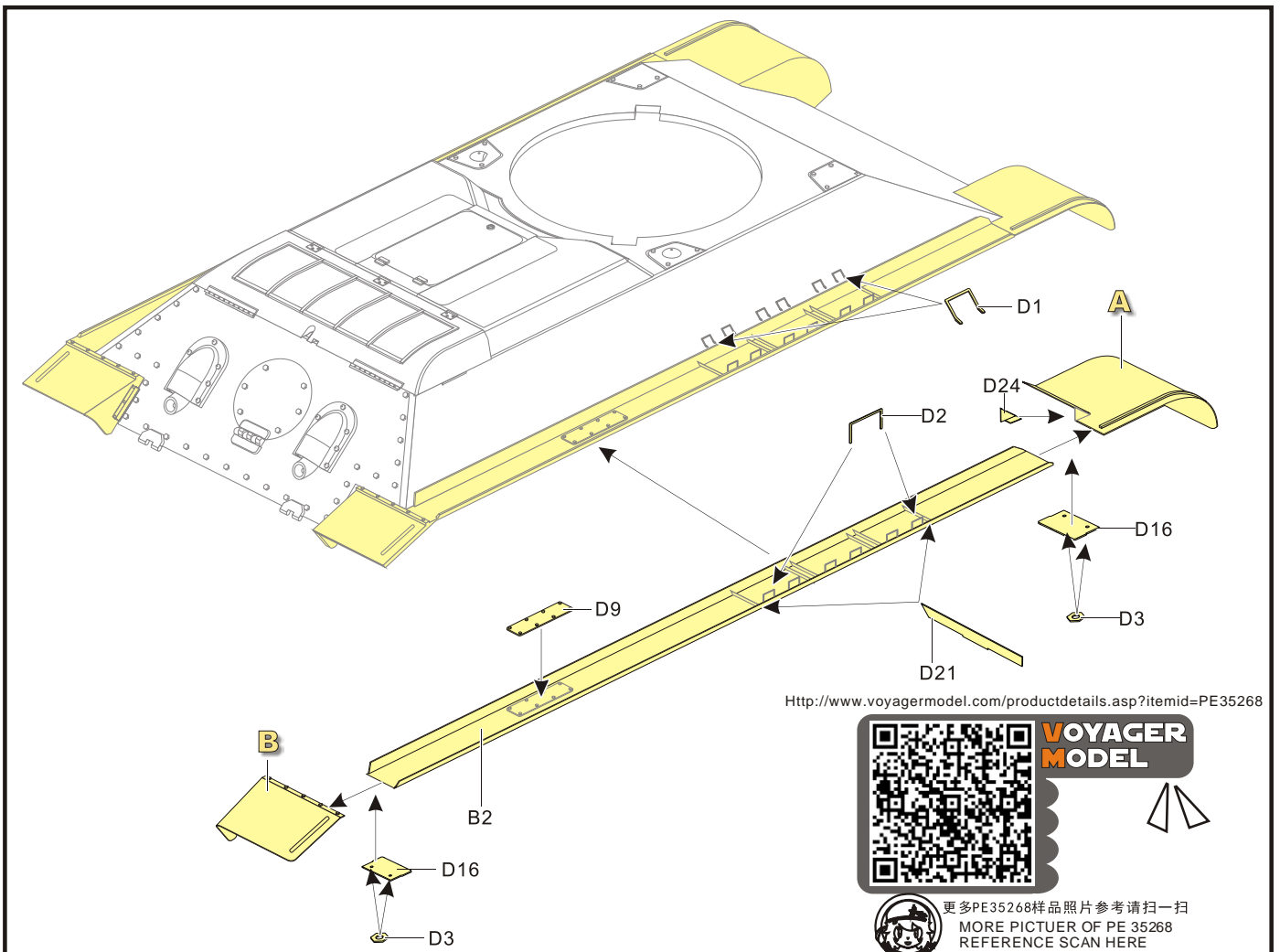
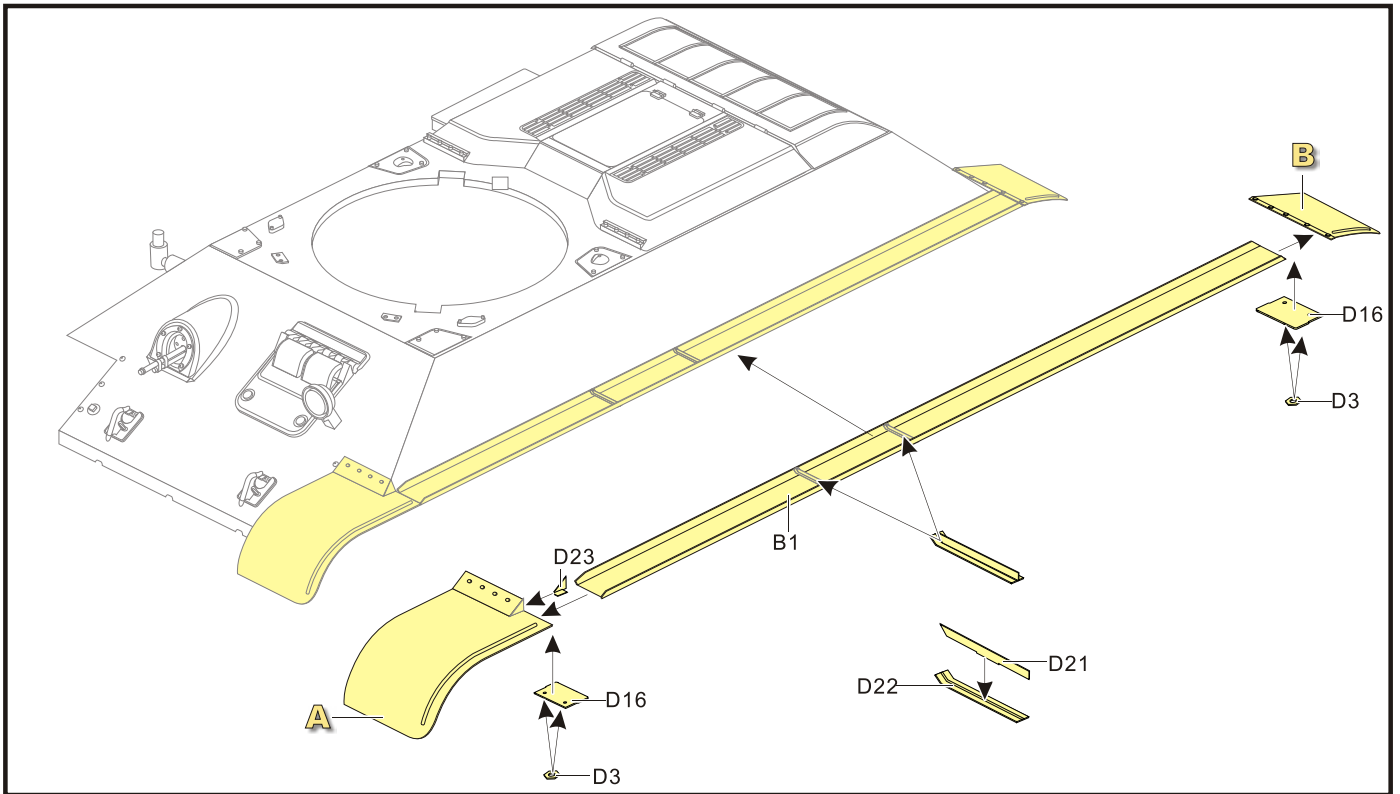
**推荐使用工具 RECOMMENDED TOOLS**



- 安装 install
- 折叠 bend
- A1** 改造件零件编号 PE/resin part number
- B12** 原零件编号 kit part number
- C22** 被替换的原零件编号 replaced kit part number
- x2** 制作若干组 multiple assembly
- 弧度卷曲 radial bending
- 选择安装 alternative
- 切除 remove
- 钻孔 drill
- 注意 caution
- 另一侧相同制作 repeat on opposite side
- 用尖端在凹槽处冲压 use penpoint to press on the dent
- 打磨 grind off
- 填补 fill
- 用铜管制作 make from brass tube
- 用胶棒制作 make from plastic rod



1/35 MILITARY MINIATURE VEHICLE UPGRADE SERIES PE35268



[Http://www.voyagermodel.com/productdetails.asp?itemid=PE35268](http://www.voyagermodel.com/productdetails.asp?itemid=PE35268)



**VOYAGER  
MODEL**



更多PE35268样品照片参考请扫一扫  
MORE PICTUER OF PE 35268  
REFERENCE SCAN HERE