

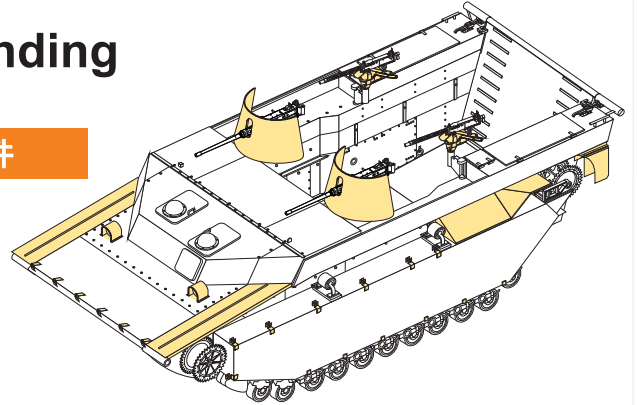
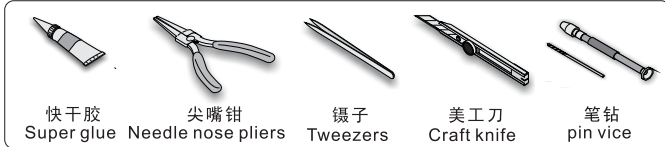
1/35 MILITARY MINIATURE VEHICLE UPGRADE SERIES PE35448

# WWII US LVT-4 Water Buffalo Landing Vehicle Tracked basic

## 二战美军LVT-4 “水牛”水陆装甲车初期型改造件

[For AFV CLUB 35205]

### 推荐使用工具 RECOMMENDED TOOLS



- 安装  
install
- 折叠  
bend
- A1**

改造件零件编号  
PE/resin part number
- B12**

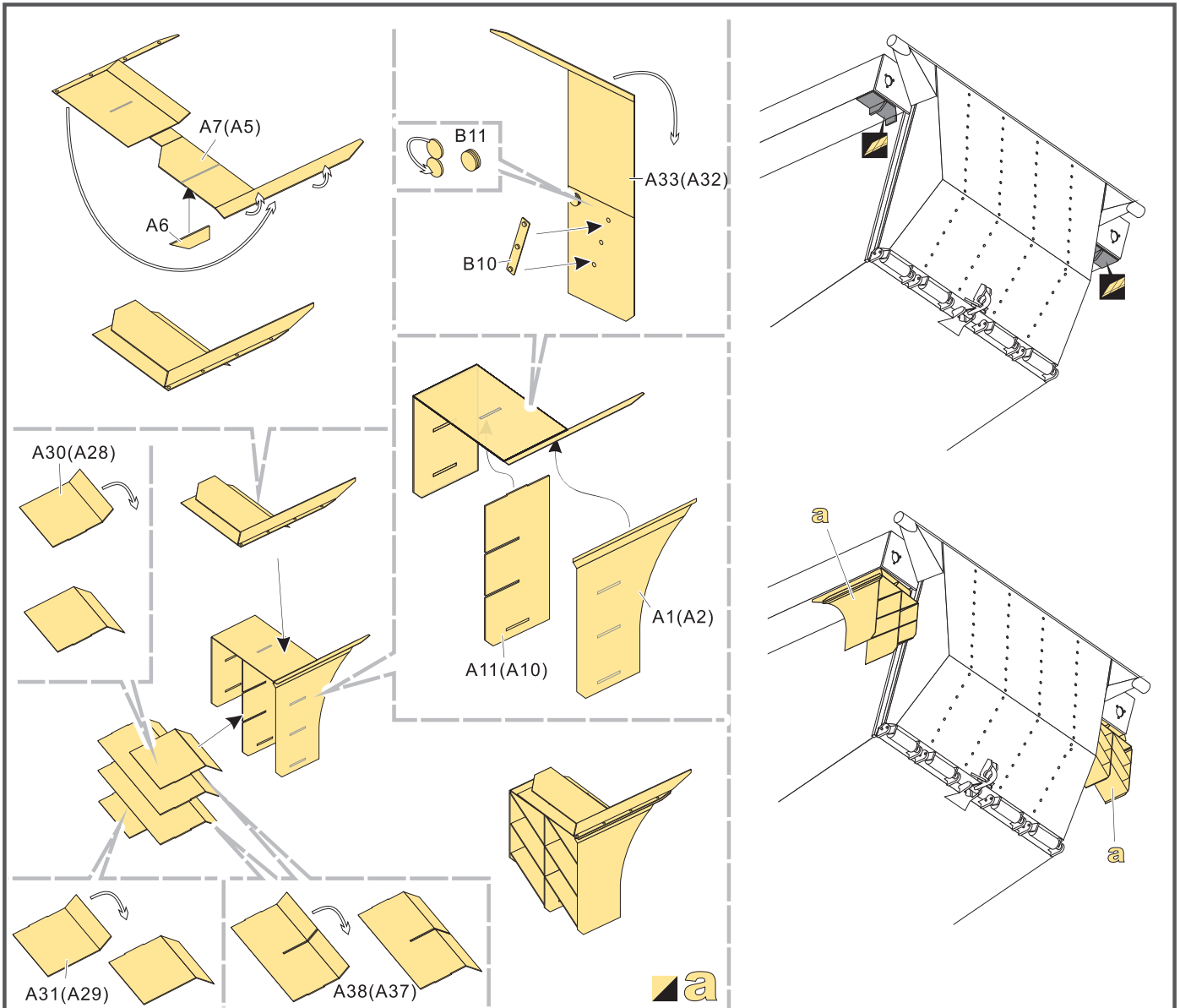
原零件编号  
kit part number
- C22**

被替换的原零件编号  
replaced kit part number
- 另一侧相同制作  
repeat on opposite side
- 切除  
remove
- 打磨  
grind off
- 弧度卷曲  
radial bending
- x2**

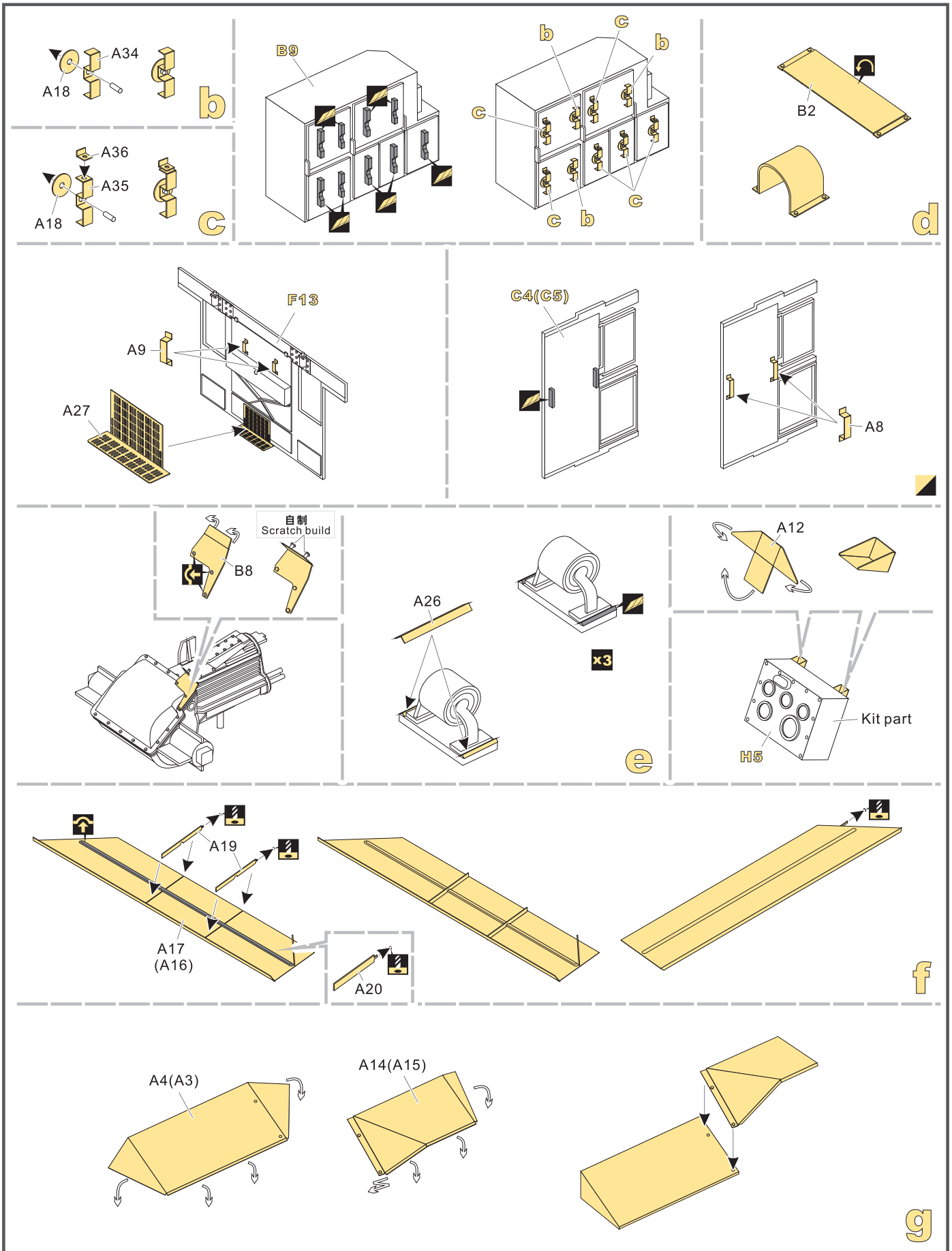
制作若干组  
multiple assembly
- 选择安装  
alternative
- 钻孔  
drill
- 用胶棒制作  
make from plastic rod

用尖端在凹槽处冲压  
use penpoint to press on the dent

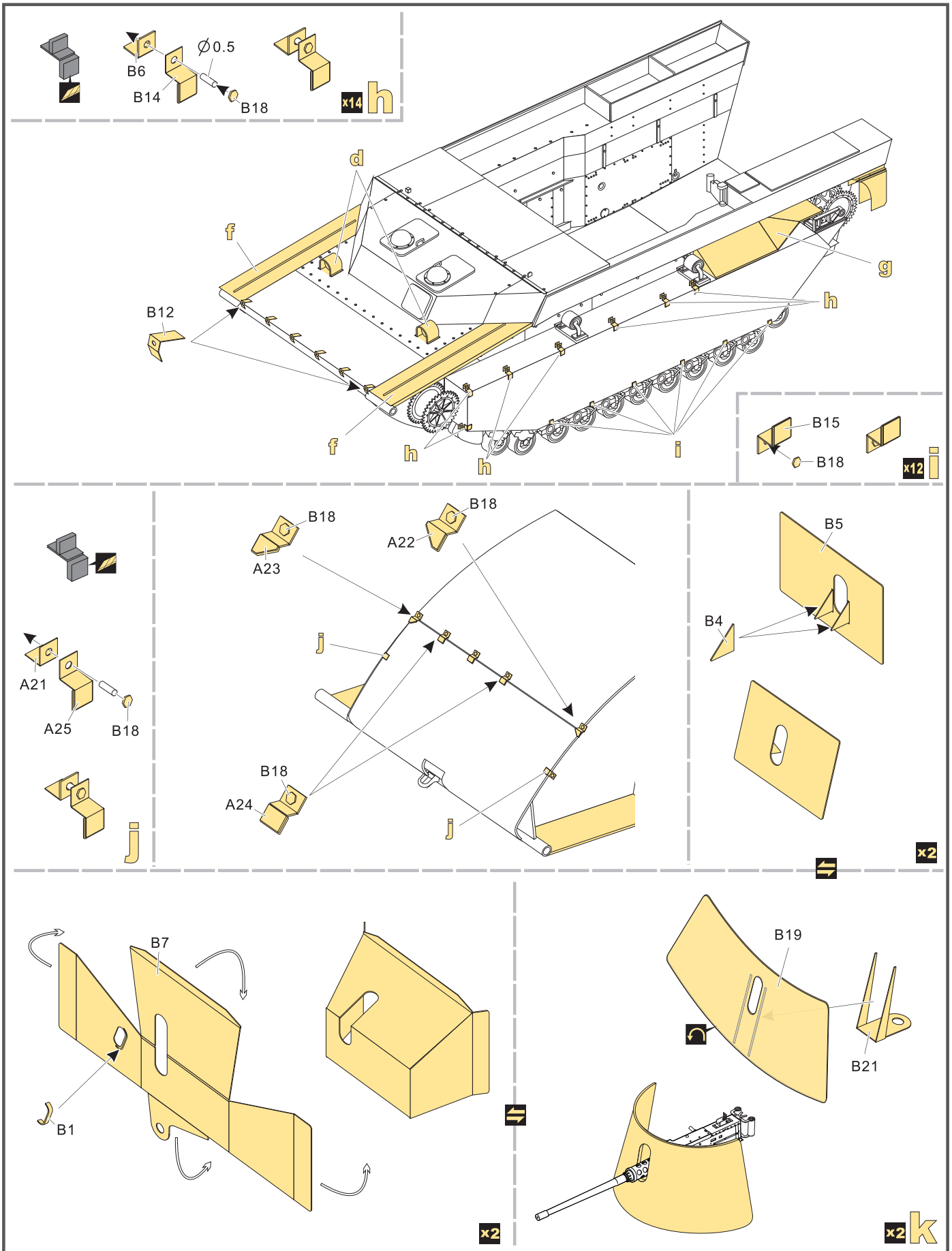
蚀刻片零件内朝面向上  
Put the part upside down  
用笔尖在凹槽处刺  
Use penpoint to press on the dent



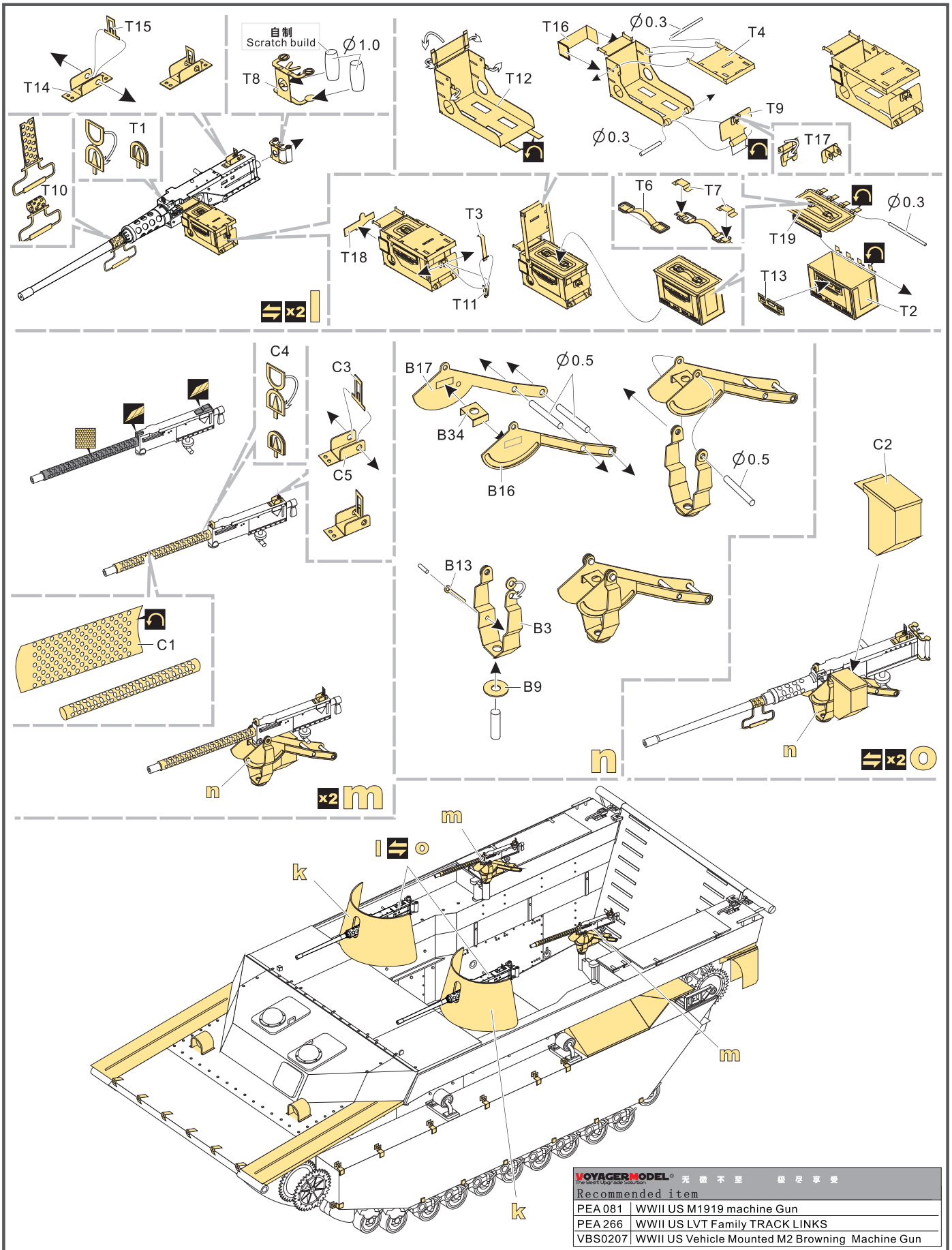
1/35 MILITARY MINIATURE VEHICLE UPGRADE SERIES PE35448



1/35 MILITARY MINIATURE VEHICLE UPGRADE SERIES PE35448



1/35 MILITARY MINIATURE VEHICLE UPGRADE SERIES PE35448



**VOYAGERMODEL**<sup>®</sup> 无微不至 极尽享受  
The Best Upgrade Solution

Recommended item	
PEA 081	WWII US M1919 machine Gun
PEA 266	WWII US LVT Family TRACK LINKS
VBS0207	WWII US Vehicle Mounted M2 Browning Machine Gun