

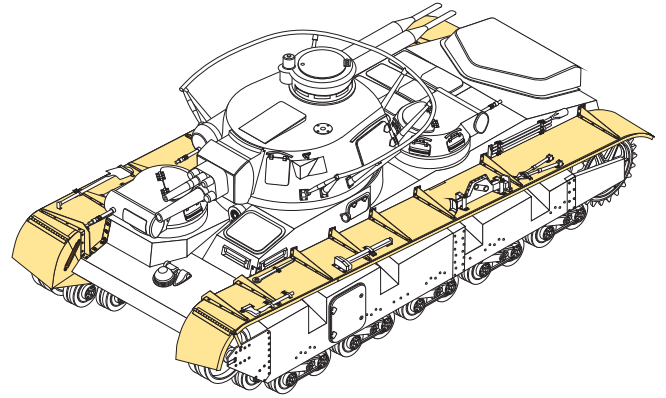
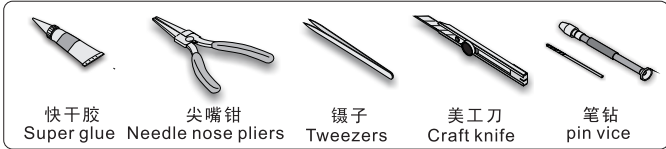
1/35 MILITARY MINIATURE VEHICLE UPGRADE SERIES PE 35464

WWII German Neubaufahrzeug (Rheinmetall) Fenders

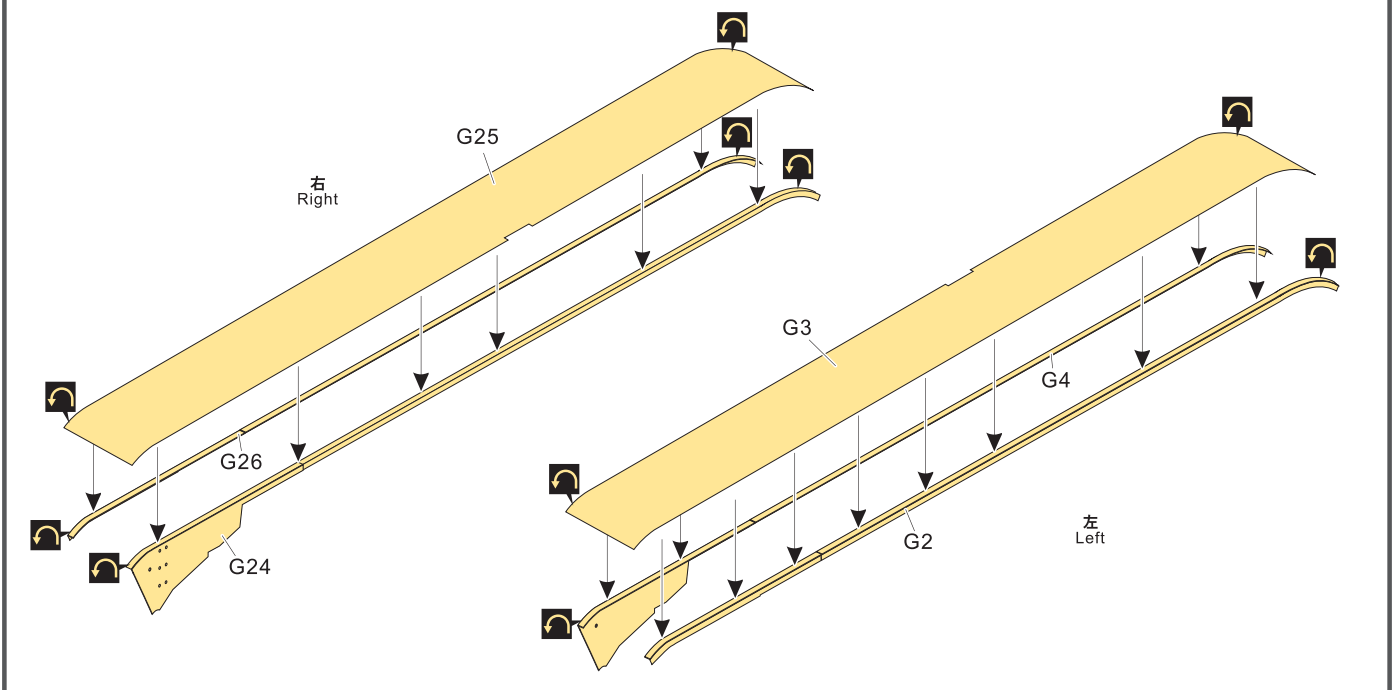
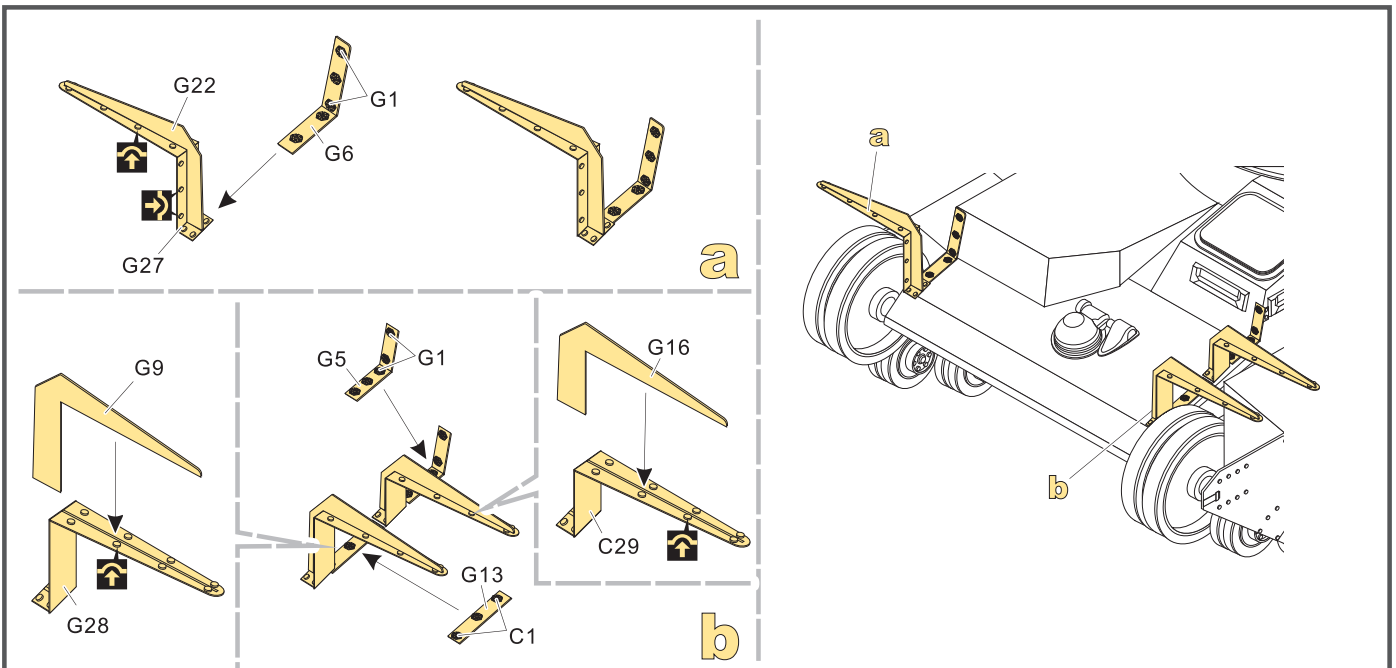
二战德国NBfZ坦克翼子板(莱茵金属)

[For TRUMPETER 05528]

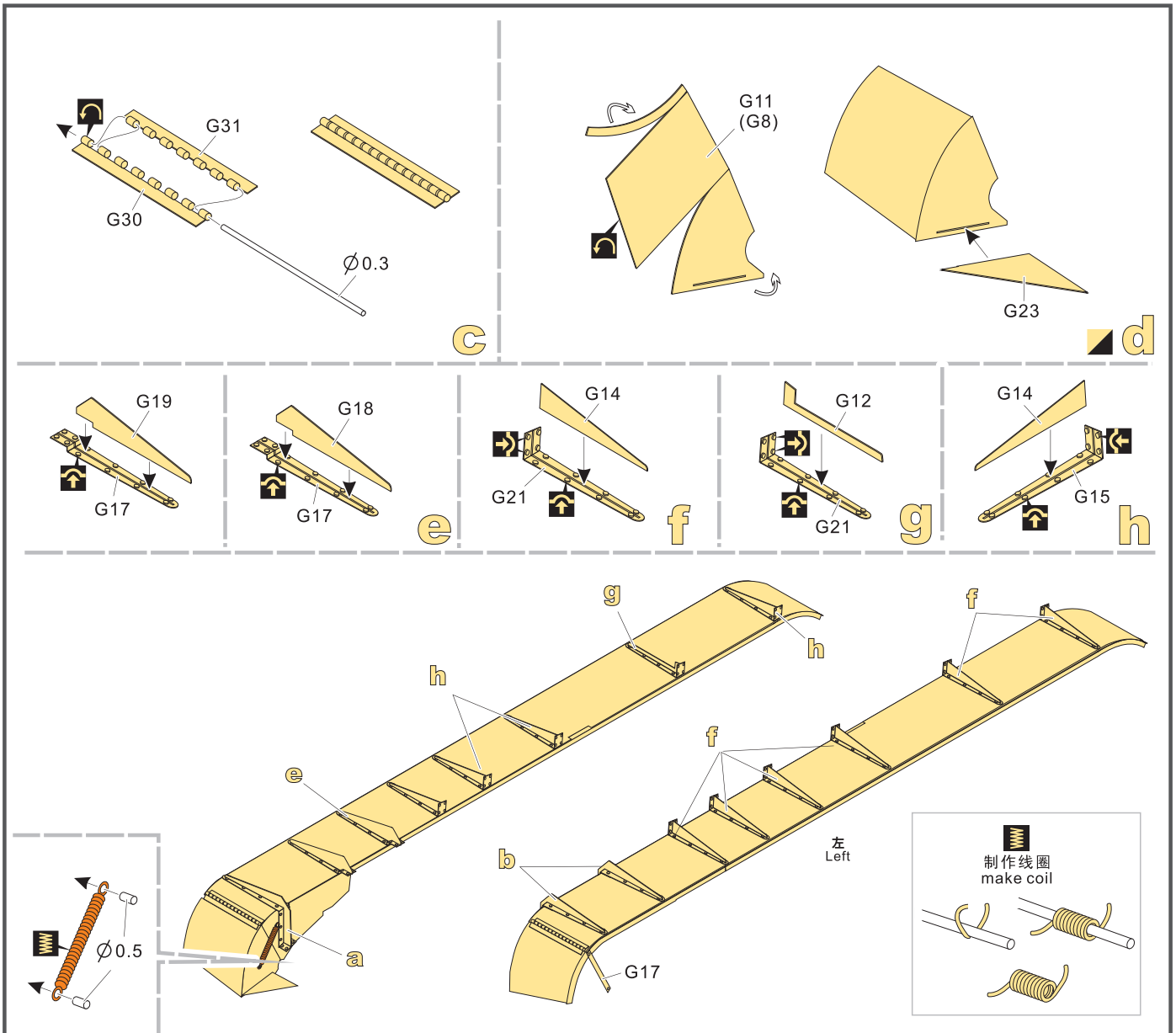
■ 推荐使用工具 RECOMMENDED TOOLS



- ↑
安装
install
- ↩
折叠
bend
- A1
改造件零件编号
PE/resin part number
- B12
原零件编号
kit part number
- ↓
用尖端在凹槽处冲压
use penpoint to press on the dent
- ↷
弧度卷曲
radial bending
- x2
制作若干组
multiple assembly
- ⇄
选择安装
alternative
- ⚡
钻孔
drill



1/35 MILITARY MINIATURE VEHICLE UPGRADE SERIES PE 35464



VOYAGERMODEL[®] 无微不至 极尽享受
The Best Upgrade Solution

Recommended item	
PE 35453	WWII German Neubaufahrzeug Nr.3-5
PE 35454	WWII German Neubaufahrzeug Nr.3-5 Fenders
PE 35463	WWII German Neubaufahrzeug (Rheinmetall)

