

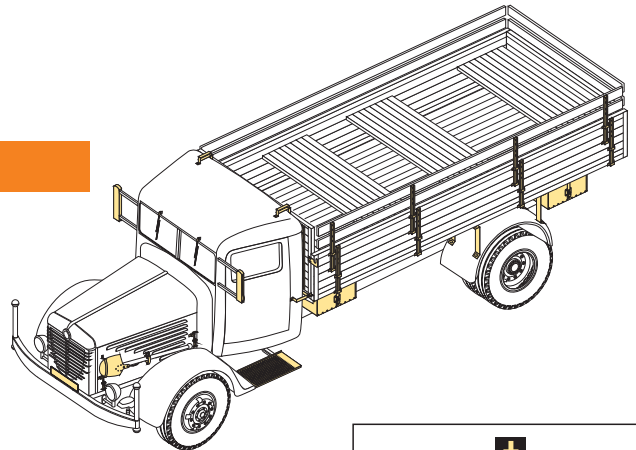
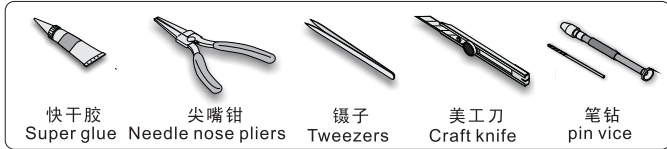
1/35 MILITARY MINIATURE VEHICLE UPGRADE SERIES PE35515

WWII German Bussing Nag L4500S 4X2 Cargo Truck

二战德军布星纳格L4500S 4X2 卡车

[For AFV CLUB 35170]

■ 推荐使用工具 RECOMMENDED TOOLS



- 安装
install
- 折叠
bend
- A1**
改造件零件编号
PE/resin part number
- B12**
原零件编号
kit part number
- C22**
被替换的原零件编号
replaced kit part number
- 另一侧相同制作
repeat on opposite side
- 切除
remove
- 打磨
grind off
- 弧度卷曲
radial bending
- 制作若干组
multiple assembly
- 选择安装
alternative
- 钻孔
drill
- 用胶棒制作
make from plastic rod

用尖端在凹槽处冲压
use penpoint to press on the dent

蚀刻片零件内表面向上
Put the part upside down

用笔尖在凹槽处刮
Use penpoint to press on the dent

a

b

c

d

e

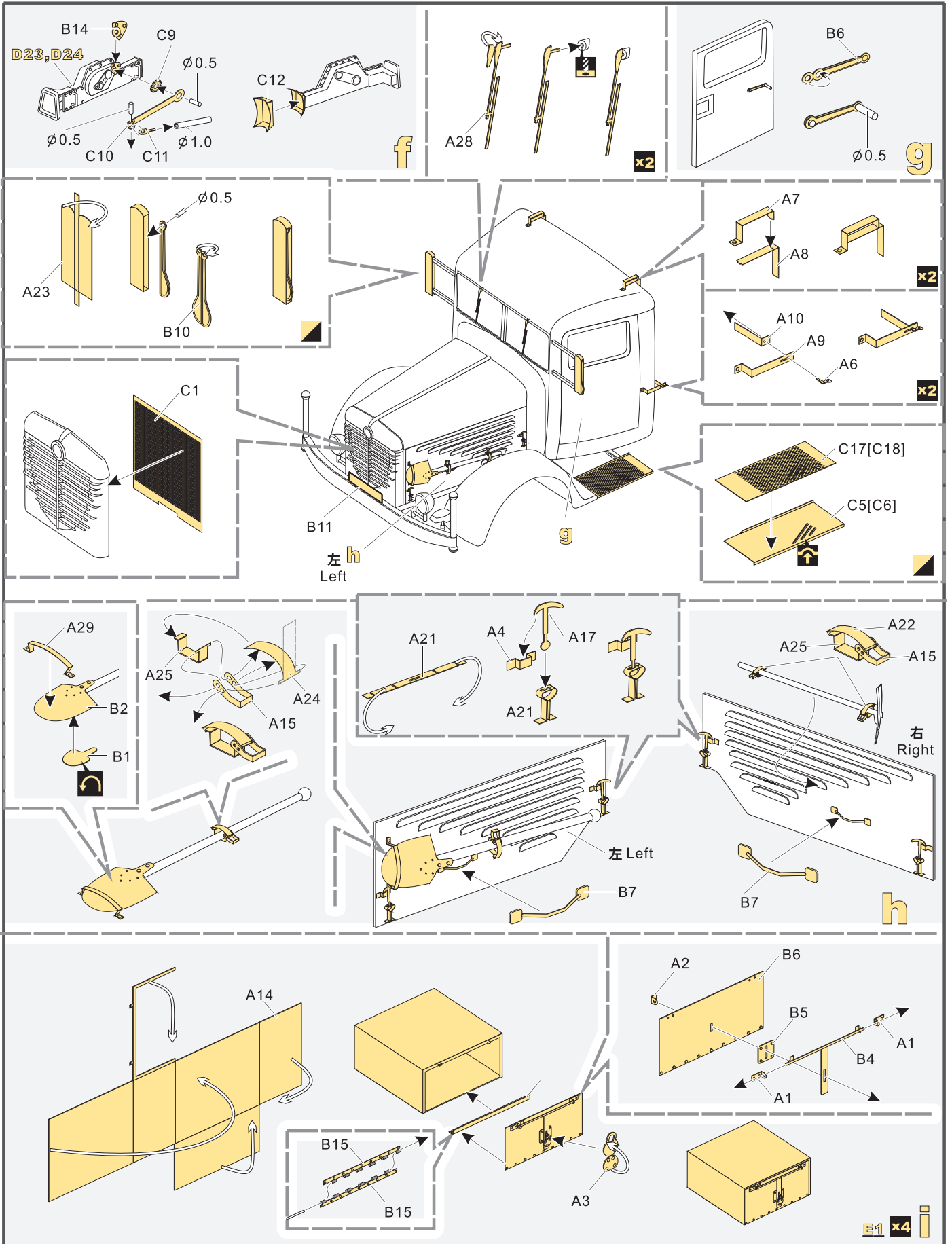
菲林 Film

$\phi 0.5$

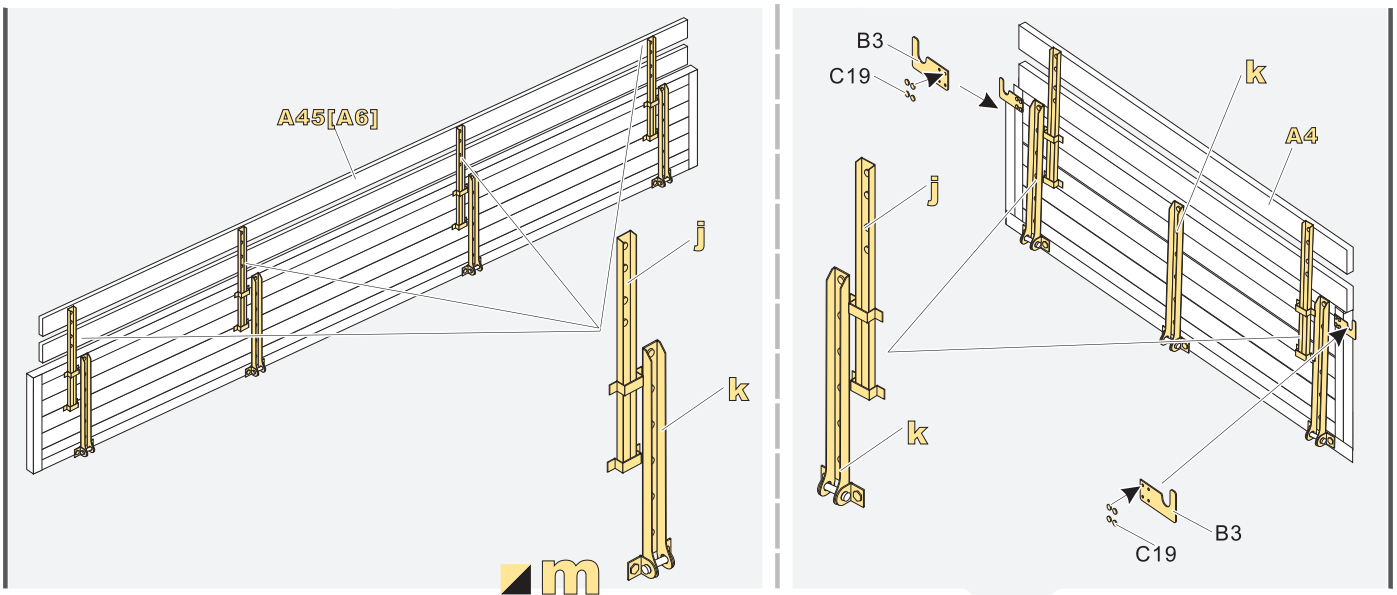
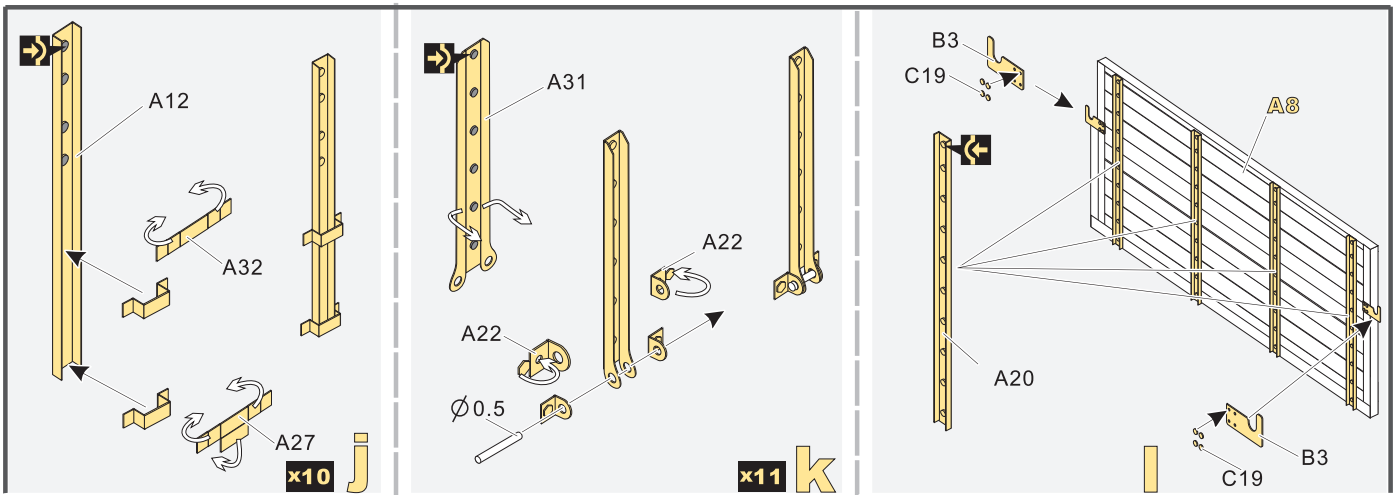
$\phi 1.0$

G37, C38, C24

1/35 MILITARY MINIATURE VEHICLE UPGRADE SERIES PE35515



1/35 MILITARY MINIATURE VEHICLE UPGRADE SERIES PE35515



[Http://www.voyagermodel.com/productdetails.asp?itemid=PE35515](http://www.voyagermodel.com/productdetails.asp?itemid=PE35515)



**VOYAGER
MODEL**



更多PE35515样品照片参考请扫一扫
MORE PICTUER OF PE 35515
REFERENCE SCAN HERE

