

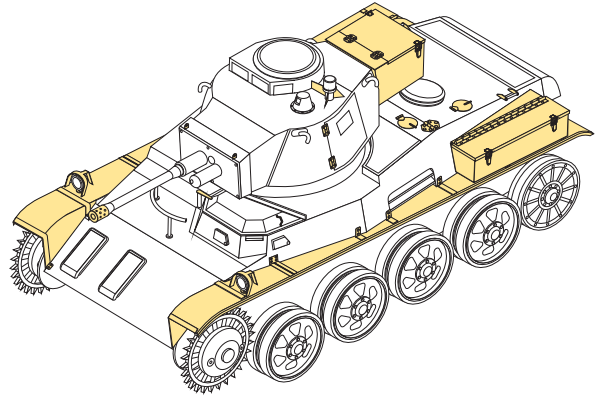
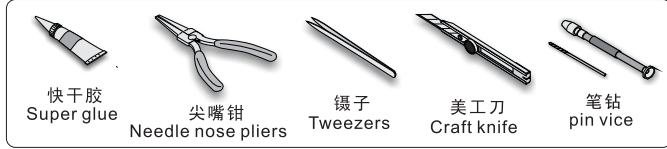
1/35 MILITARY MINIATURE VEHICLE UPGRADE SERIES PE35561

WWII Hungarian Light tank 38M Toldi II(B40)

匈牙利“特鲁迪”II(B40)轻型坦克

[For HOBBY BOSS 82478]

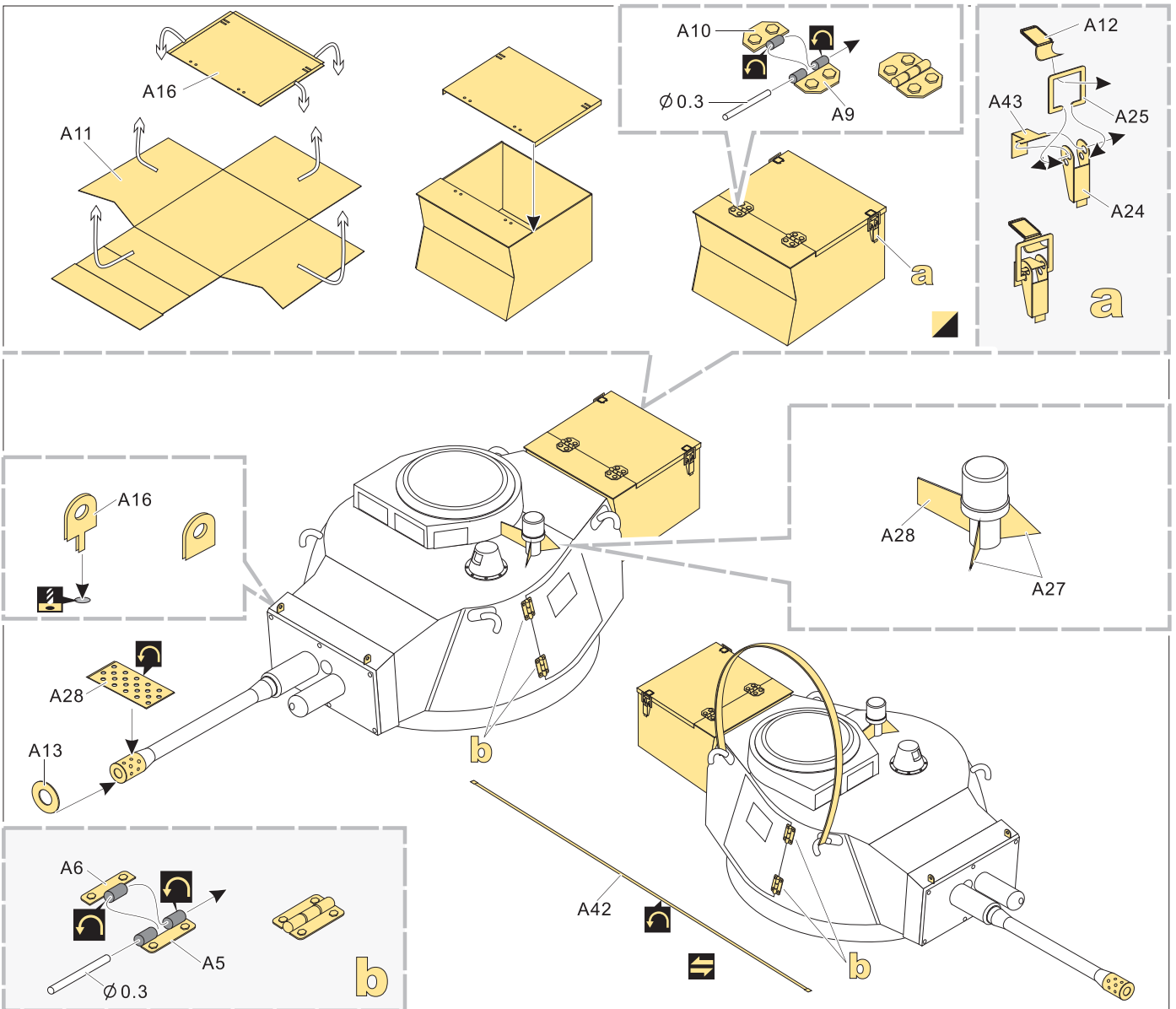
推荐使用工具 RECOMMENDED TOOLS



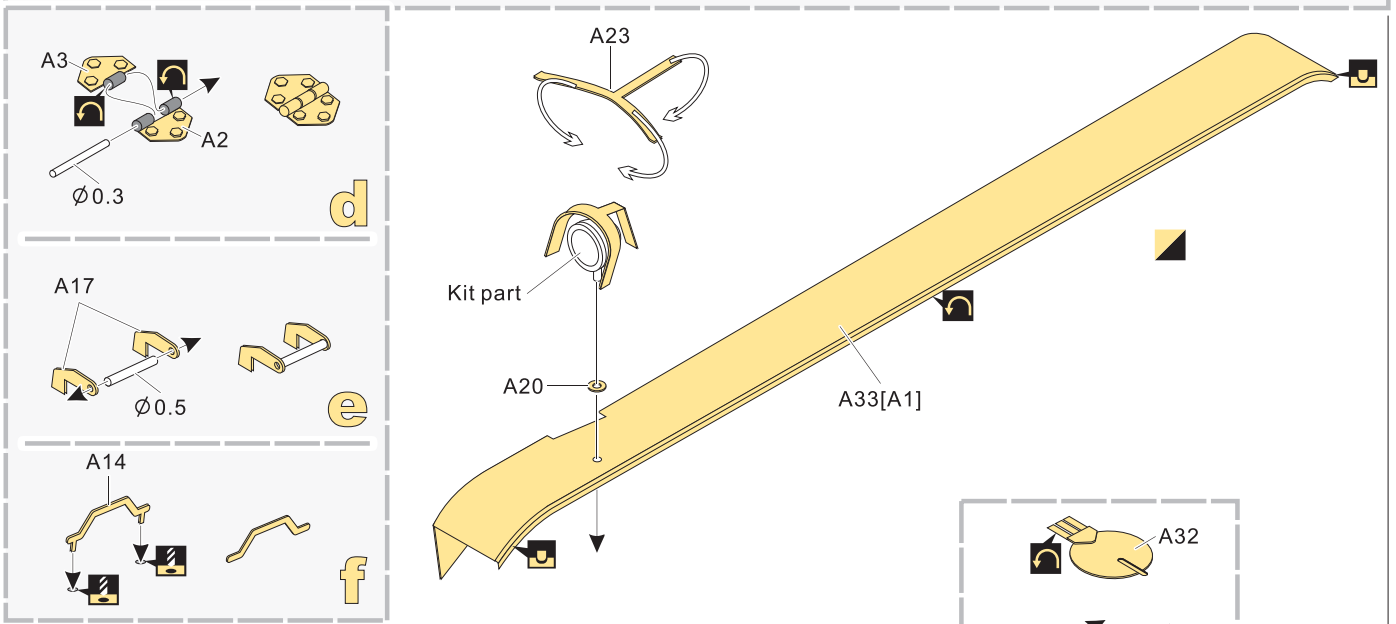
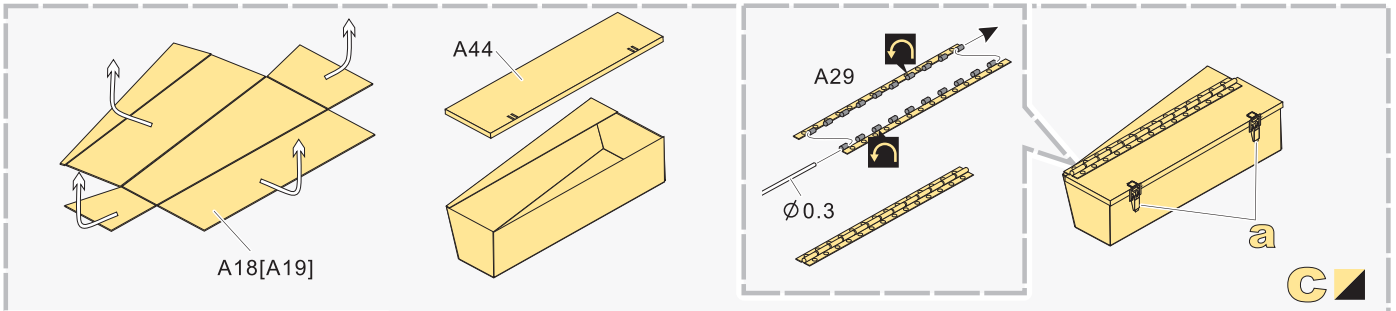
- 安装
install
- 折叠
bend
- A1
改造件零件编号
PE/resin part number
- B12
原零件编号
kit part number
- 打磨
grind off
- 弧度卷曲
radial bending
- 钻孔
drill
- C22
被替换的原零件编号
replaced kit part number
- 切除
remove
- x2
制作若干组
multiple assembly
- 填补
fill
- 选择安装
alternative
- 另一侧相同制作
repeat on opposite side

用尖端在凹槽处冲压
 use penpoint to press on the dent

蚀刻片零件内侧面
 Put the part upside down
 用笔尖在凹槽处刺
 Use penpoint to press on the dent



1/35 MILITARY MINIATURE VEHICLE UPGRADE SERIES PE35561



[Http://www.voyagermodel.com/productdetails.asp?itemid=PE35561](http://www.voyagermodel.com/productdetails.asp?itemid=PE35561)



**VOYAGER
MODEL**

更多PE35561样品照片参考请扫一扫
MORE PICTUER OF PE 35561
REFERENCE SCAN HERE

