

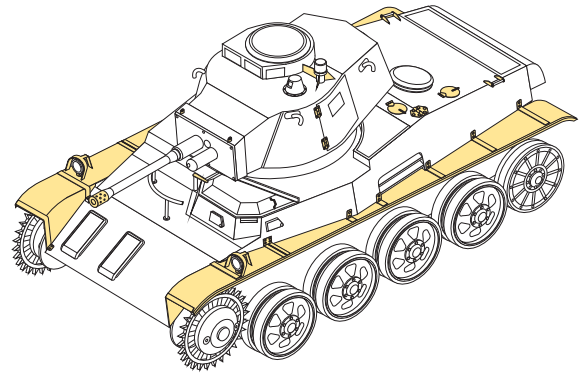
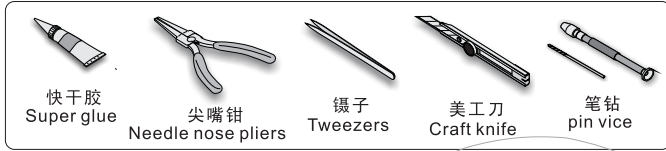
1/35 MILITARY MINIATURE VEHICLE UPGRADE SERIES PE35594

## WWII Hungarian Light tank Toldi III(B43)

### 二战匈牙利“特鲁迪”III(B43)轻型坦克改造件

[For HOBBY BOSS 82479]

#### 推荐使用工具 RECOMMENDED TOOLS

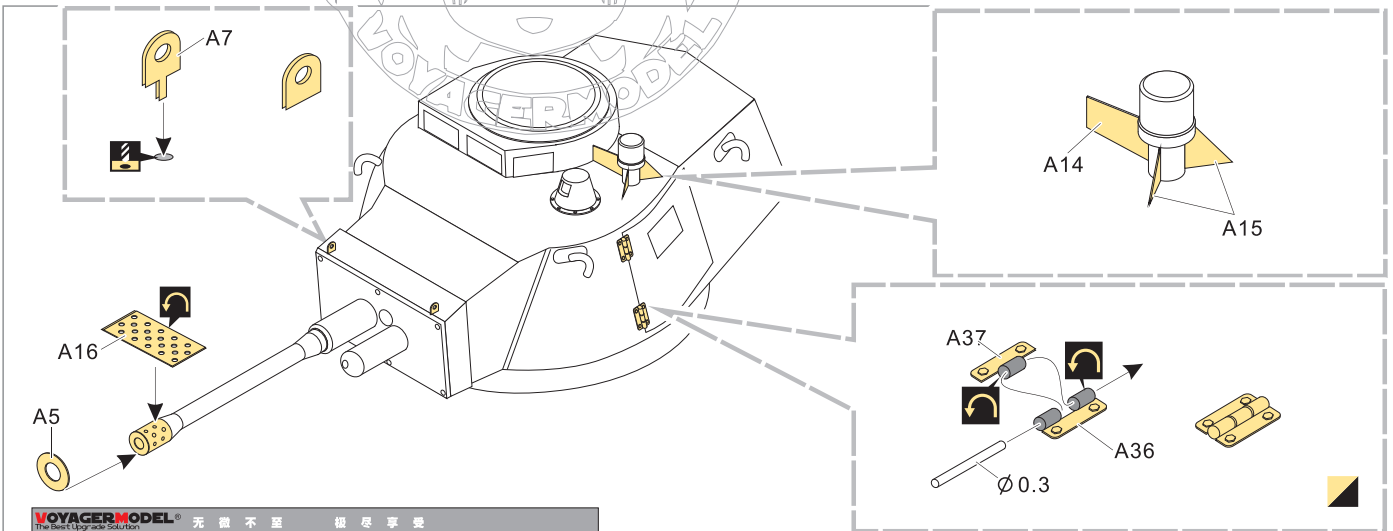


- ↑  
安装  
install
- ↩  
折叠  
bend
- A1  
改造件零件编号  
PE/resin part number
- B12  
原零件编号  
kit part number
- ☐  
打磨  
grind off
- ↪  
弧度卷曲  
radial bending
- ⚙  
钻孔  
drill
- C22  
被替换的原零件编号  
replaced kit part number
- ✂  
切除  
remove
- x2  
制作若干组  
multiple assembly
- ◻  
填补  
fill
- ⇄  
选择安装  
alternative
- ◀▶  
另一侧相同制作  
repeat on opposite side

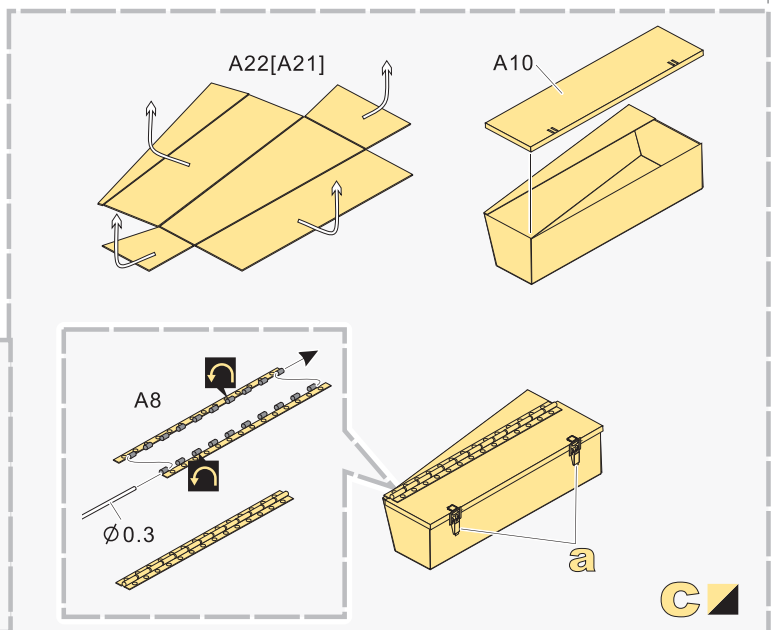
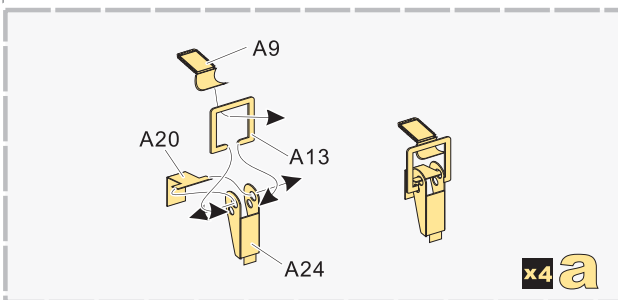
↓  
用尖端在凹槽处冲压  
use penpoint to press on the dent

☐  
蚀刻片零件内侧面向上  
Put the part upside down

用笔尖在凹槽处刺  
Use penpoint to press on the dent



VOYAGERMODEL® 无微不至 极致享受	
Recommended item	
PE35201	WWII German Pz.Kpfw.I Ausf.A
PE35202	WWII German Pz.Kpfw.I Ausf.A Fenders
PE35203	WWII German Pz.Kpfw.I Ausf.A Flakpanzer I
PE35271	WWII German Pz.Kpfw.II Ausf.C
PE35288	WWII German Panther F Basic
PE35292	WWII German Pz.Sfl.Ivb 10.5cm le.FH.18/1
PE35313	WWII German 150mm s.I.G.33(Sf) auf Pz.Kpfw.I Ausf.B basic
PE35319	WWII German 47mm PaK(t) Panzerjager I basic
PE35378	WWII German PzKpfw.II.Ausf.L Luch late version basic
PE35433	WWII German PzKpfw I Ausf C(VK601) w/smoke discharger
PE 35438	WWII German Pz.Kpfw.II Ausf.D1 (Sd.Kfz.121)
PE35487	WWII German VsKfz.617
Pe35576	WWII German Pz.Kpfw.I Ausf.F (early version)
Pe35561	WWII Hungarian Light tank 38M Toldi II(B40)



1/35 MILITARY MINIATURE VEHICLE UPGRADE SERIES PE35594

