

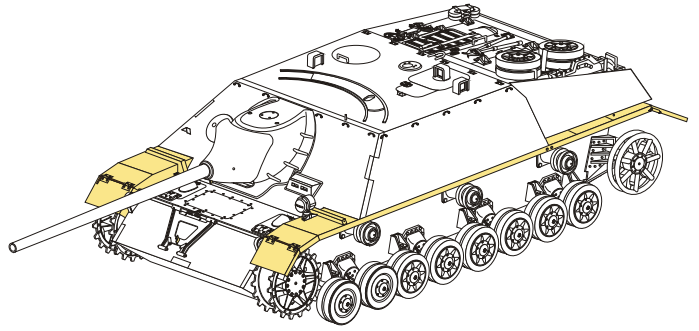
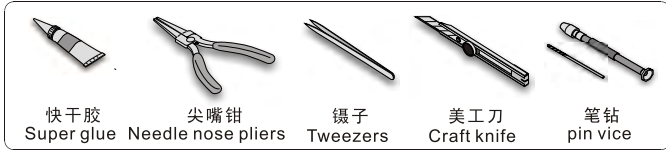
1/35 MILITARY MINIATURE VEHICLE UPGRADE SERIES PE35748

# WWII German Jagdpanzer IV fenders

## 二战德军IV号坦克歼击车翼子板改造件

[For TAMIYA 35340]

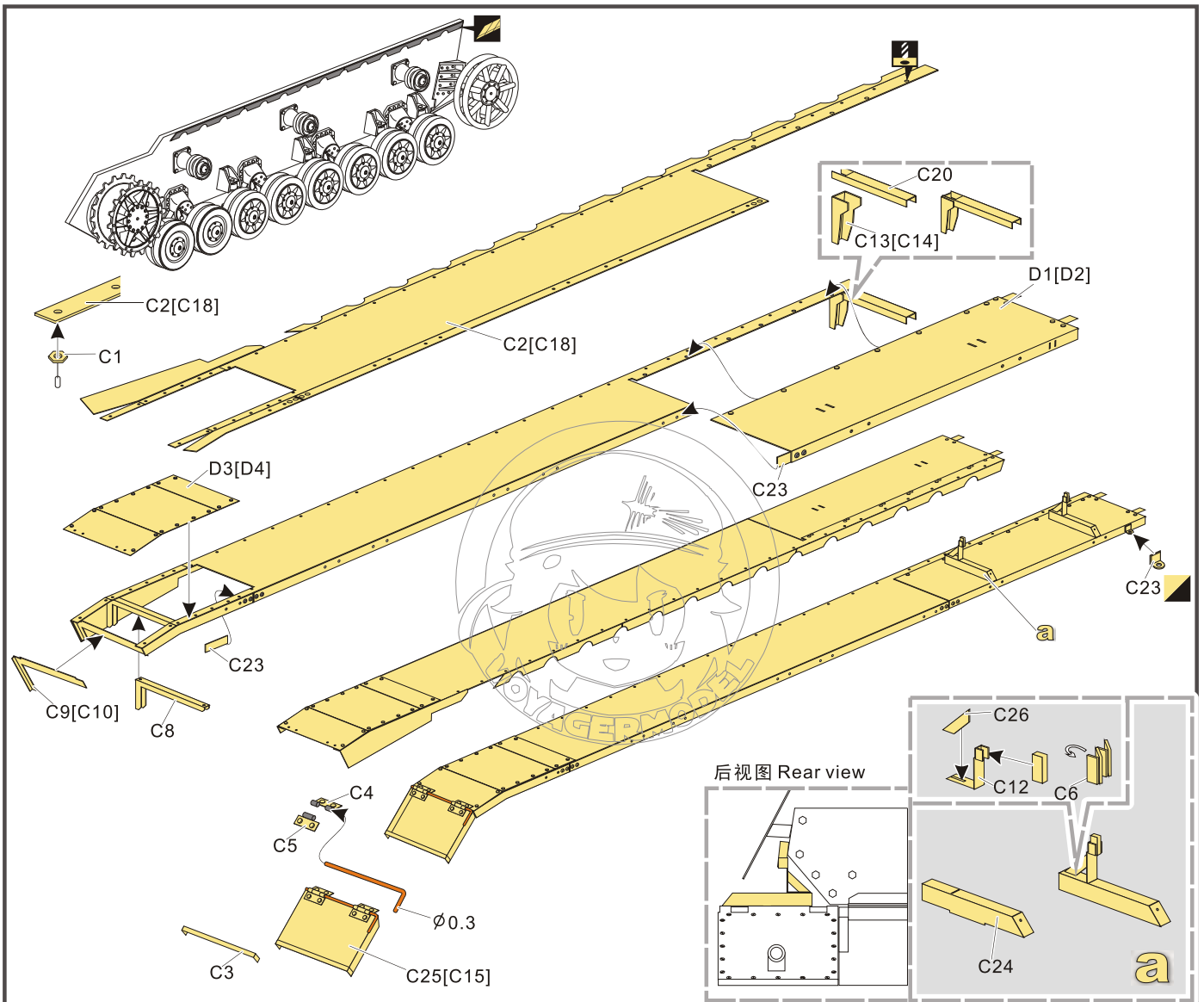
■ 推荐使用工具 RECOMMENDED TOOLS



- 安装  
install
- 折叠  
bend
- A1**  
改造件零件编号  
PE/resin part number
- B12**  
原零件编号  
kit part number
- C22**  
被替换的原零件编号  
replaced kit part number
- 另一侧相同制作  
repeat on opposite side
- 切除  
remove
- 打磨  
grind off
- 弧度卷曲  
radial bending
- x2**  
制作若干组  
multiple assembly
- 选择安装  
alternative
- 注意  
caution
- 扩孔  
ream
- 钻孔  
drill
- 填补  
fill

用尖端在凹槽处冲压  
use penpoint to press on the dent

蚀刻片零件内翻面向上  
Put the part upside down  
用笔尖在凹槽处刺  
Use penpoint to press on the dent



1/35 MILITARY MINIATURE VEHICLE UPGRADE SERIES PE35748

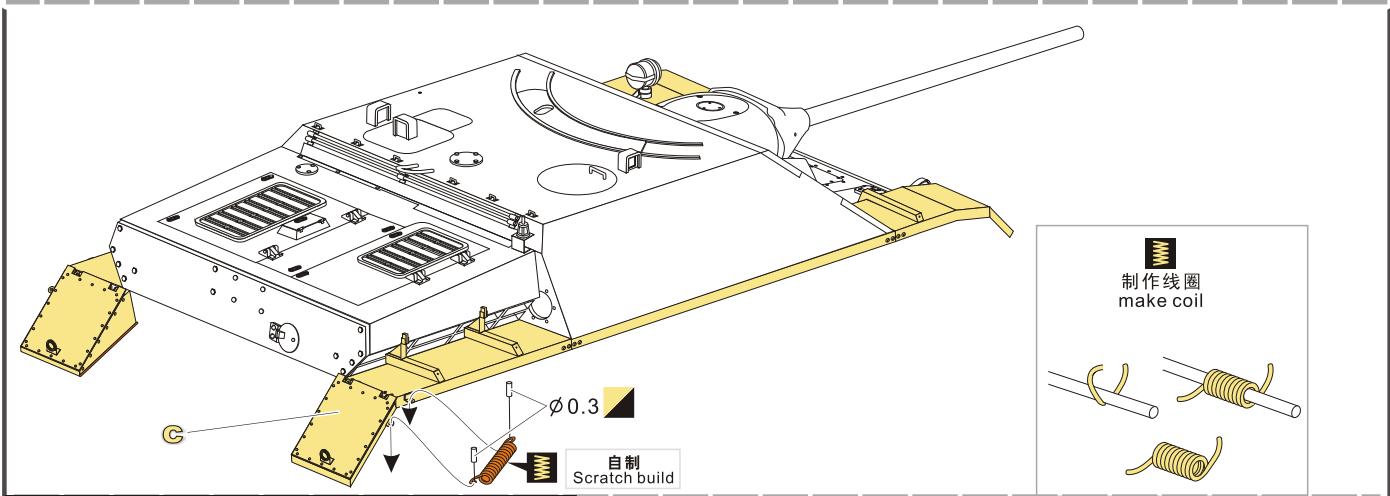
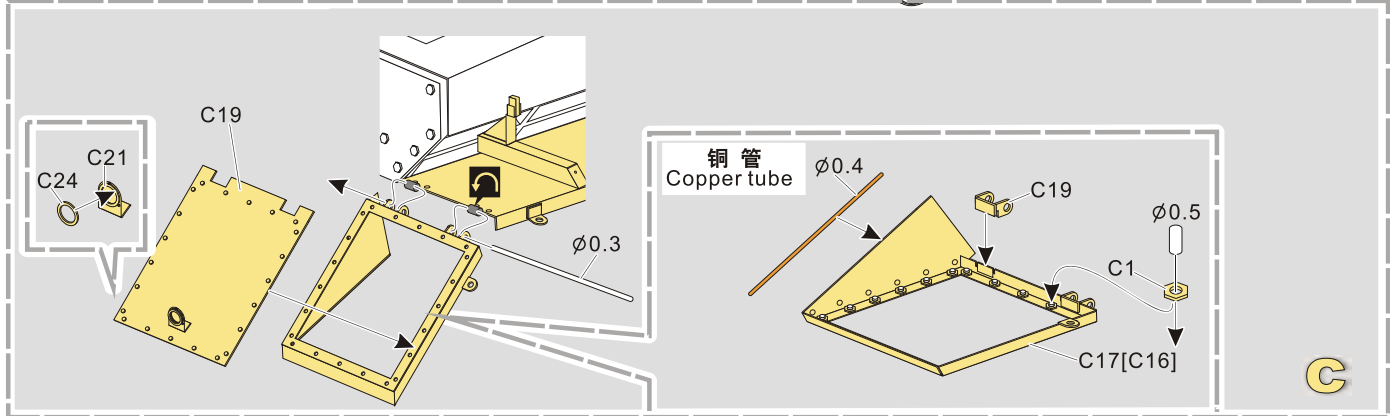
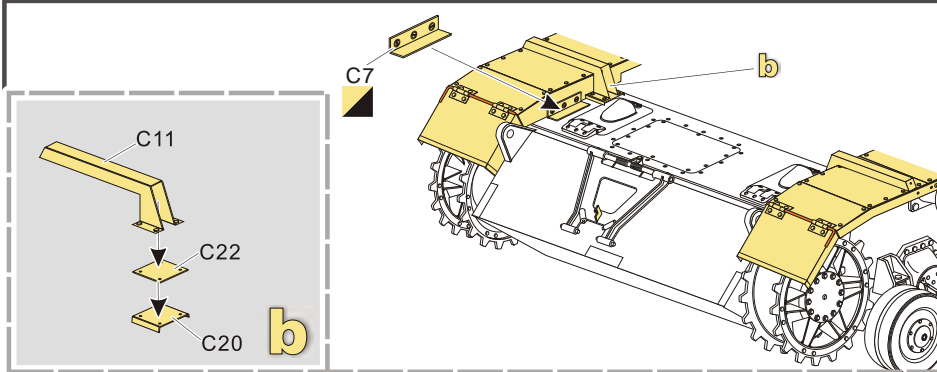
[Http://www.voyagermodel.com/productdetails.asp?itemid=PE35748](http://www.voyagermodel.com/productdetails.asp?itemid=PE35748)



**VOYAGER  
MODEL**



更多PE35748样品照片参考请扫一扫  
MORE PICTUER OF PE 35748  
REFERENCE SCAN HERE



**VOYAGERMODEL®** 无微不至 精益求精

Recommended item	
Pe35747	WWII German Jagdpanzer IV L/70(V) basic
Pea358	WWII German Jagdpanzer IV Schurzen
VBS0149	WWII German Jagdpanzer family 75mm L/70 Barrel w/Mantlet

