

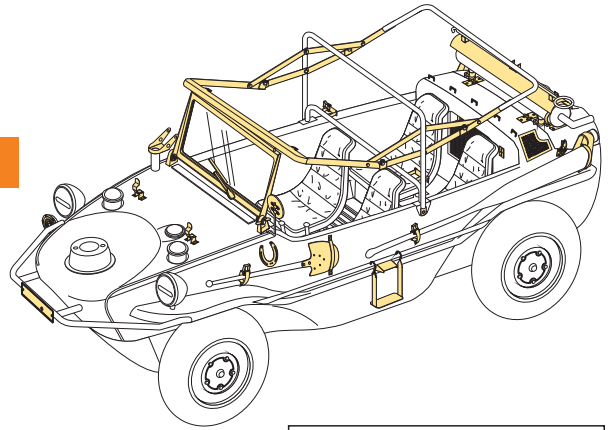
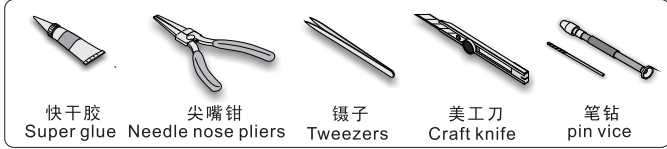
1/35 MILITARY MINIATURE VEHICLE UPGRADE SERIES PE35827

WWII German Schwimmwagen Type 166

二战德军水陆2用吉普车改造件

[For HERO 35001 / TAMIYA]

推荐使用工具 RECOMMENDED TOOLS



- 安装
install
- 折叠
bend
- A1**
改造件零件编号
PE/resin part number
- B12**
原零件编号
kit part number
- C22**
被替换的原零件编号
replaced kit part number
- 另一侧相同制作
repeat on opposite side
- 切除
remove
- 打磨
grind off
- 弧度卷曲
radial bending
- x2**
制作若干组
multiple assembly
- 选择安装
alternative
- 用铜管制作
make from brass tube
- 用胶棒制作
make from plastic rod

用尖端在凹槽处冲压
use penpoint to press on the dent

蚀刻片零件内侧面向上
Put the part upside down

用笔尖在凹槽处刺
Use penpoint to press on the dent

x2 a

x3 b

x4 c

x4 d

x5 e

0.5mm透明胶板
0.5mm Clear plastic sheer

自制
Scratch build

∅0.5

拧90°
Twist 90 degrees

∅0.5

∅0.5

x4 i

h

∅0.5

i

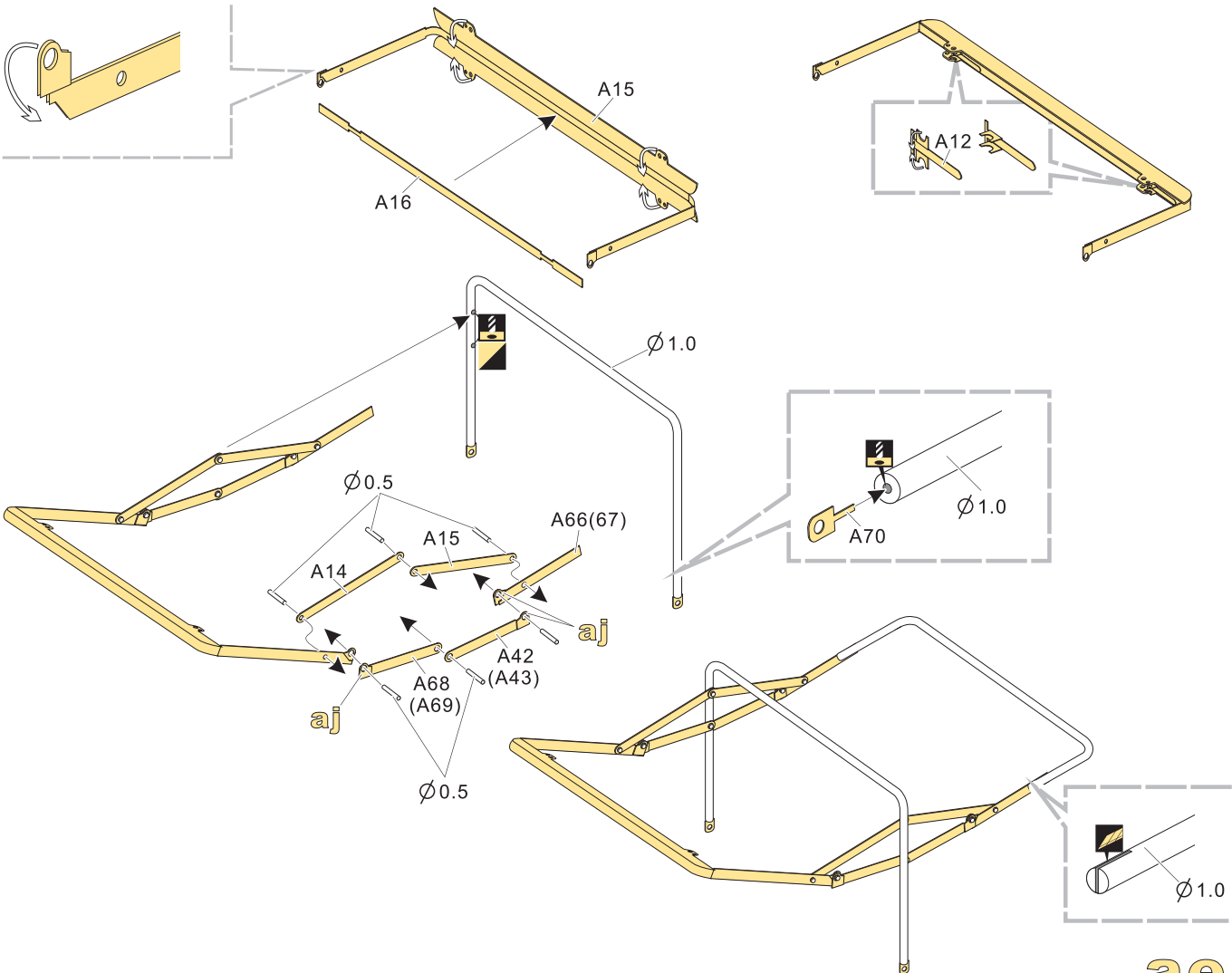
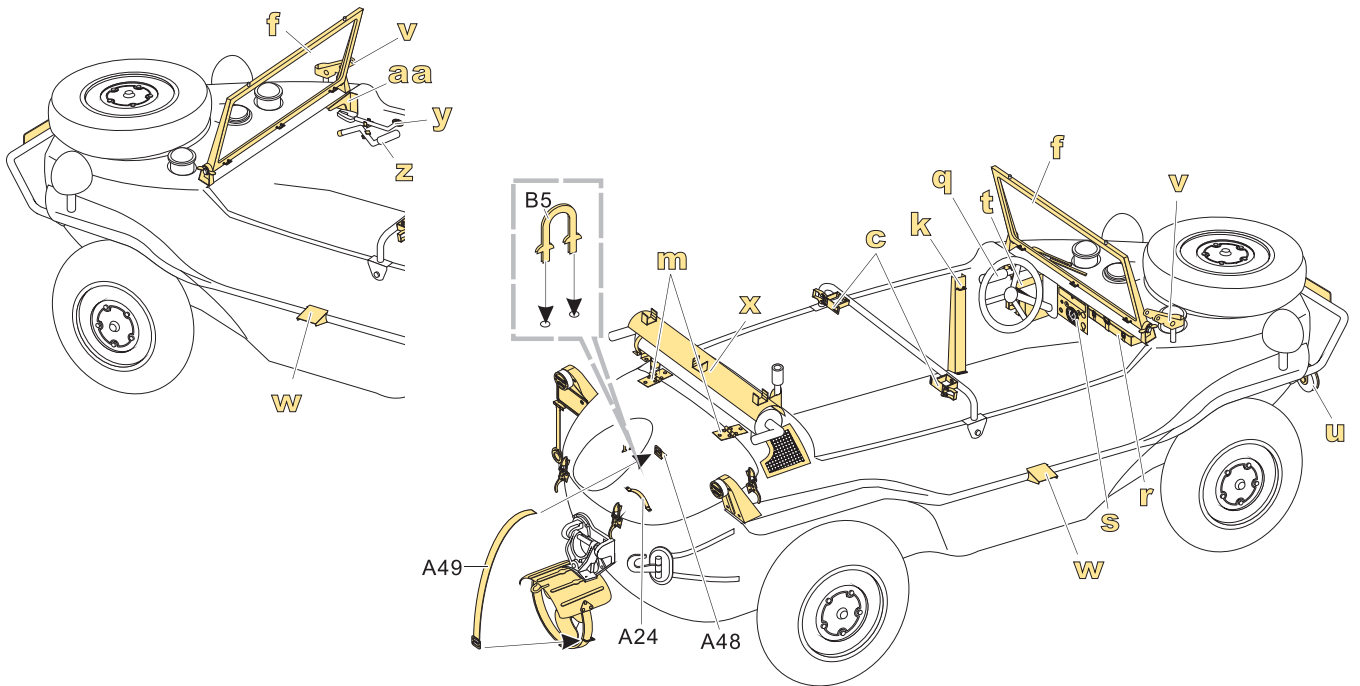
j

1/35 MILITARY MINIATURE VEHICLE UPGRADE SERIES PE35827

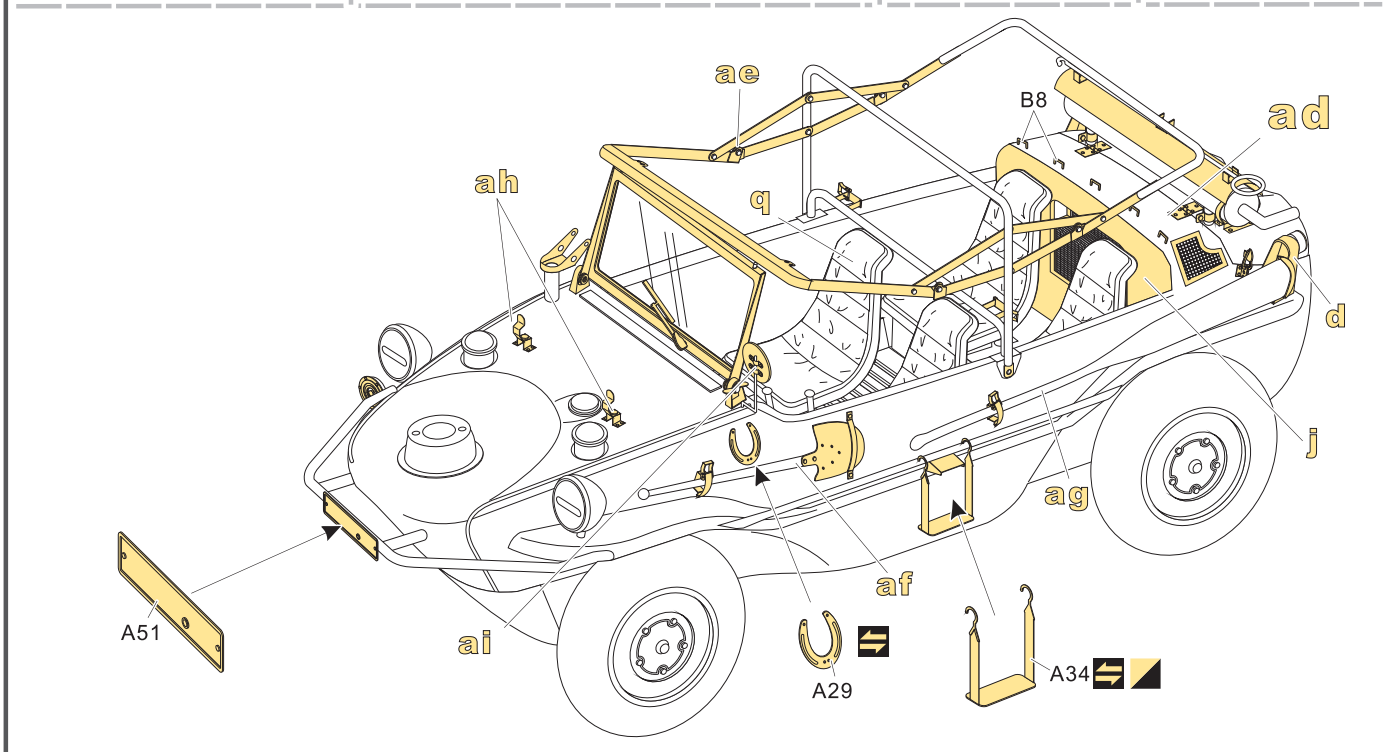
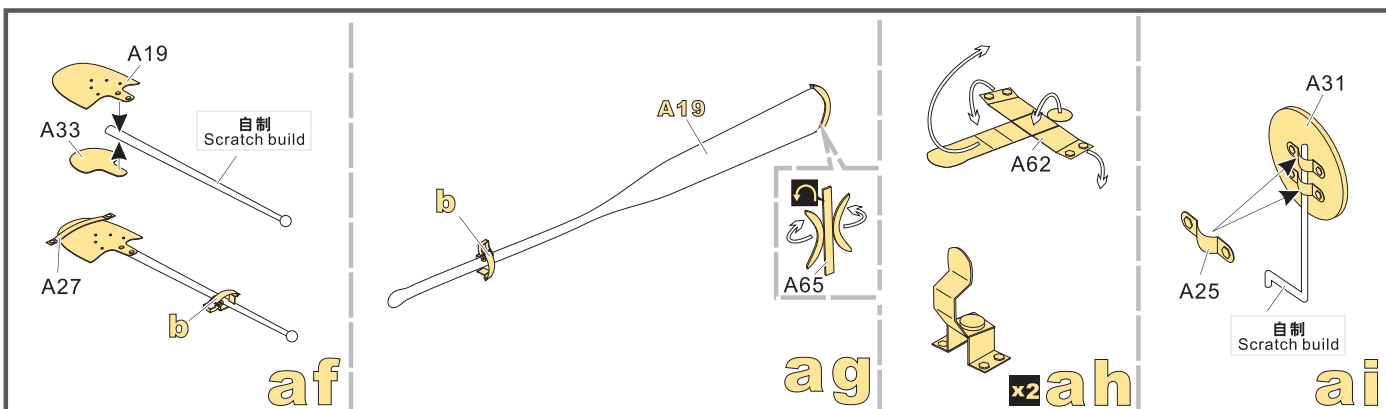
Assembly Instructions:

- Parts:** A1, A2, A4, A8, A10, A11, A12, A13, A14, A17, A18, A19, A20, A21, A22, A23, A24, A25, A26, A27, A28, A29, A30, A31, A32, A33, A34, A35, A36, A37, A38, A39, A40, A41, A42, A43, A44, A45, A46, A47, A48, A49, A50, A51, A52, A53, A54, A55, A56, A57, A58, A59, A60, A61, A62, A63, A64, A65, A66, A67, A68, A69, A70, A71, A72, A73, A74, A75, A76, A77, A78, A79, A80, A81, A82, A83, A84, A85, B1, B2, B3, B4, B5, B6, B7, B8, B9, B10, B11, B12, B13, B14, B15, B16, B17, B18, B19, B20, B21, B22, B23.
- Quantities:** x2, x3.
- Special Instructions:**
 - 自制 Scratch build
 - 菲林 Film
 - 拧90° Twist 90 degrees
- Assembly Steps:**
 - k:** Assemble parts B8 and A11.
 - l:** Assemble parts A53 and A54.
 - m:** Assemble parts A80 and A81 with a hole of diameter 0.3.
 - n:** Assemble parts A79 and A77.
 - o:** Assemble parts A44 and A47.
 - p:** Assemble parts A18 and A10.
 - q:** Assemble parts A8 and A10.
 - r:** Assemble parts A28 and A40.
 - s:** Assemble part A30 with a film insert.
 - t:** Assemble parts A12 and A39.
 - u:** Assemble parts A20 and A84.
 - v:** Assemble parts B18 and a hole of diameter 0.5.
 - w:** Assemble parts A50 and A51.
 - x:** Assemble parts A14, B1, and B23.
 - y:** Assemble parts A83 and A56.
 - z:** Assemble parts A13 and A56.
 - aa:** Assemble part A9(A10).
 - ab:** Assemble parts A6, A7, A74, and A82 with holes of diameter 0.5.
 - ad:** Final assembly of the wheel and suspension system, including parts A1, A2, A59, B8, B21, and B22.

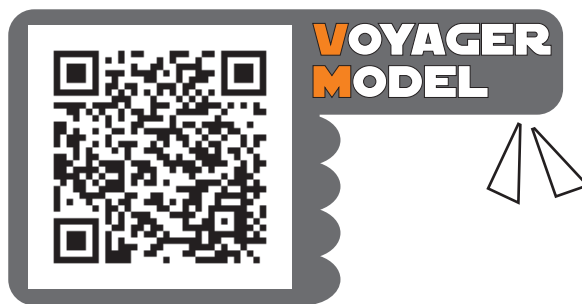
1/35 MILITARY MINIATURE VEHICLE UPGRADE SERIES PE35827



1/35 MILITARY MINIATURE VEHICLE UPGRADE SERIES PE35827



VOYAGERMODEL® 无微不至 极致享受 The Best Upgrade Solution	
Recommended item	
PE 35033	WWII German ZUNDAPP MOTO
PE 35114	WWII German DKW NZ350 MOTORCYCLE
PE 35194	WWII U.S. Jeep Willys MB
PE 35195	WWII U.S. Jeep Willys MB w/Add Amour
PE 35240	WWII Citroen Traction 11CV Staff Car
PE 35246	WWII German Opel Blitz 3t. 4x2 Cargo Truck /Shallow Cargo Bay
PE 35249	WWII German Kubelwagen Type 82
PE 35256	WWII German Bicycle
PE 35283	WWII German Land-Wasser-Schlepper Amphibious Tractor Mid Production
PE 35299	WWII German Sd.Kfz.7/1 Part 1
PE 35335	WWII German Sd.Kfz.7 8t Late Production
PE 35362	WWII German Sd.Kfz.7 8t Half Track Early Version
PE 35389	WWII German Steyr 1500A Kommandeurwagen
PE 35390	WWII German Steyr 1500A/01
PE 35220	WWII German Schwimmwagen Type 166
PE 35828	WWII German Kubelwagen Type 82



更多PE35827样品照片参考请扫一扫
MORE PICTUER OF PE 35827
REFERENCE SCAN HERE