

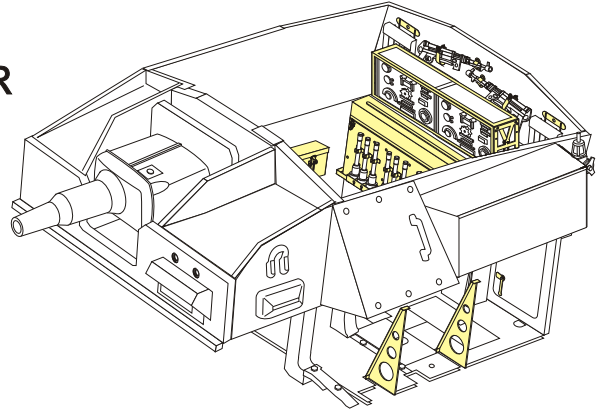
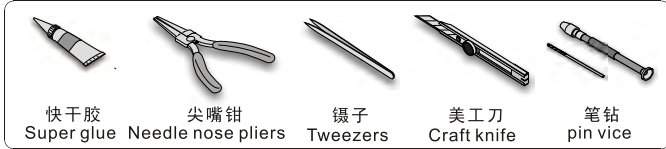
1/35 MILITARY MINIATURE VEHICLE UPGRADE SERIES PE35885

WWII German StuG.III Ausf.E INTERIOR

二战德军III号突击炮E型战斗室内部改造件

[For DRRGON 6688]

推荐使用工具 RECOMMENDED TOOLS



- 安装
install
- 折叠
bend
- A1**
改造件零件编号
PE/resin part number
- B12**
原零件编号
kit part number
- G22**
被替换的原零件编号
replaced kit part number
- 另一侧相同制作
repeat on opposite side
- 切除
remove
- 打磨
grind off
- 弧度卷曲
radial bending
- x2**
制作若干组
multiple assembly
- 选择安装
alternative
- 钻孔
drill

用尖端在凹槽处冲压
use penpoint to press on the dent

蚀刻片零件内侧面向上
Put the part upside down
用笔尖在凹槽处刺
Use penpoint to press on the dent

WWII German 75mm KwK 37/StuK 37 Ammunition

金属件 Metal part 3 D8 **x2**
金属件 Metal part 1 D8 **x2**
金属件 Metal part 2 D8 **x1**

G15 G16 Mp40 G13 G34 G37

拧 90°
Twist 90 degrees

x2 b

G36 G24 G22 G19 G38 G39 G18 G37

∅0.3 ∅0.3

x6 e

Mp40弹药取自其他套件
Mp40 magazine matched from other kit

x2 f

D4 D3 D2 G4 G17 G28

软金属线
Soft wire

g **h**

1/35 MILITARY MINIATURE VEHICLE UPGRADE SERIES PE35885

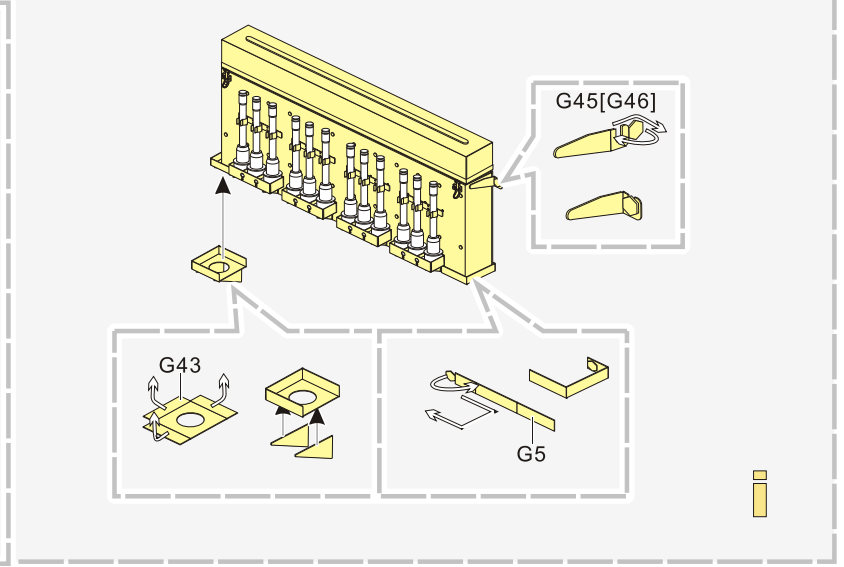
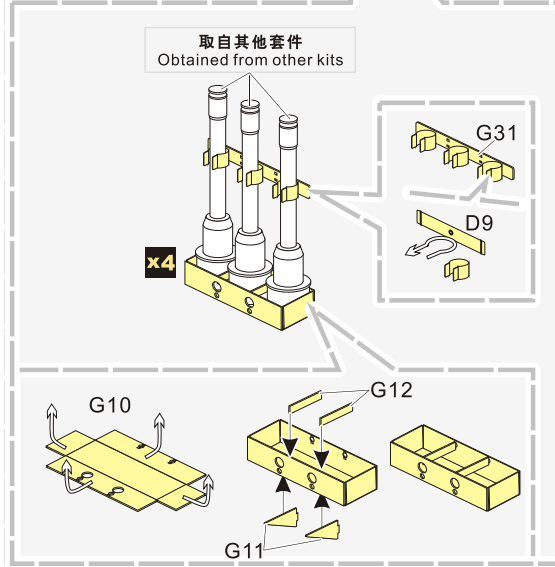
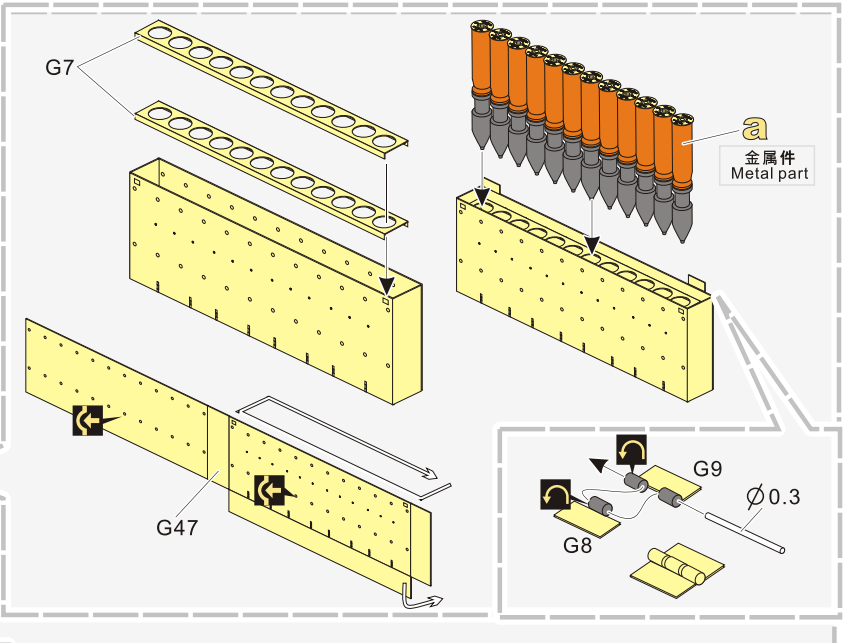
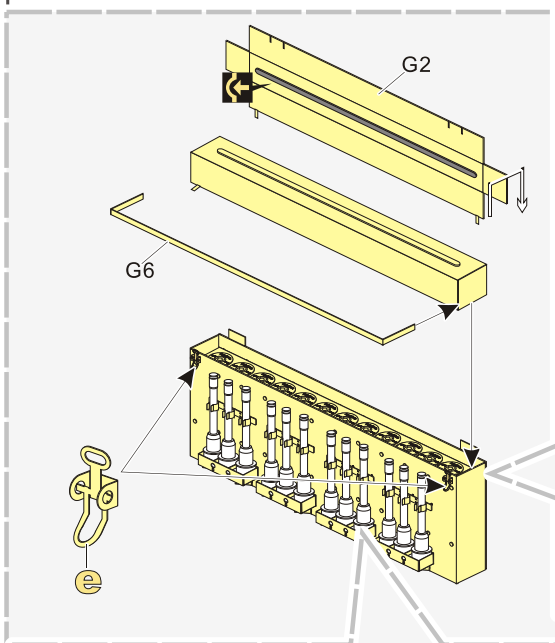
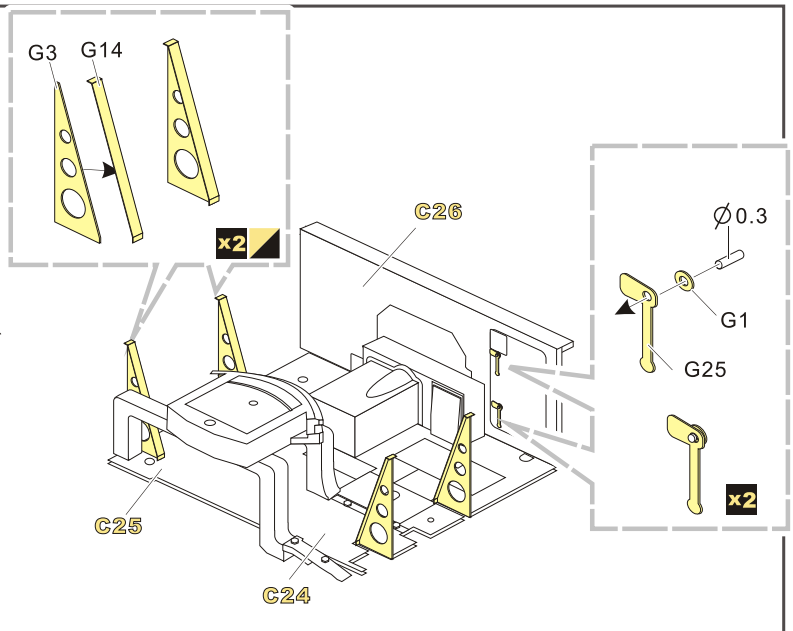
[Http://www.voyagermodel.com/
productdetails.asp?itemid=PE35885](http://www.voyagermodel.com/productdetails.asp?itemid=PE35885)



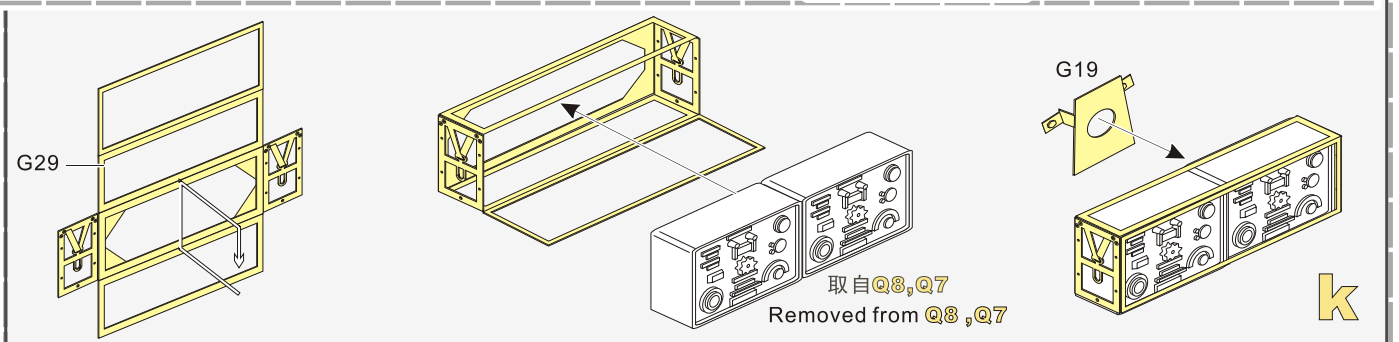
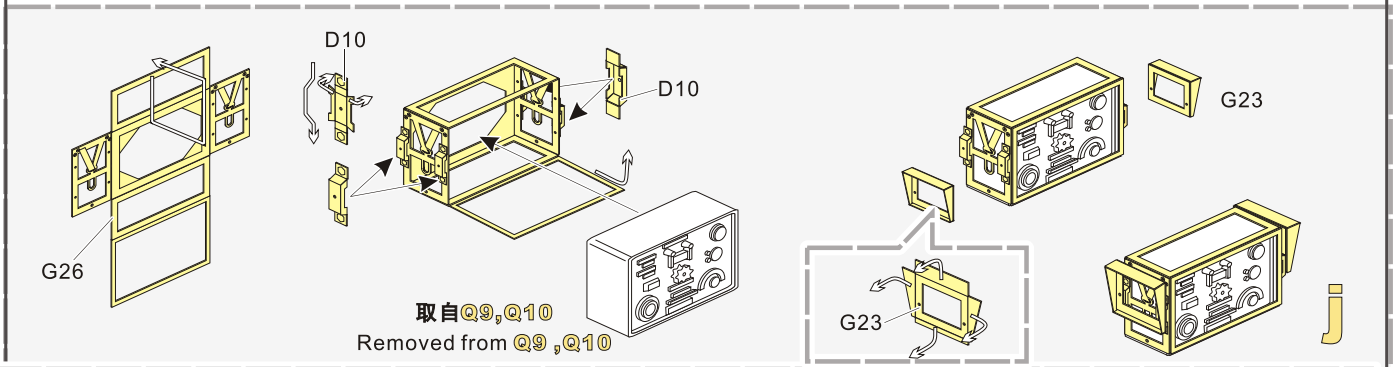
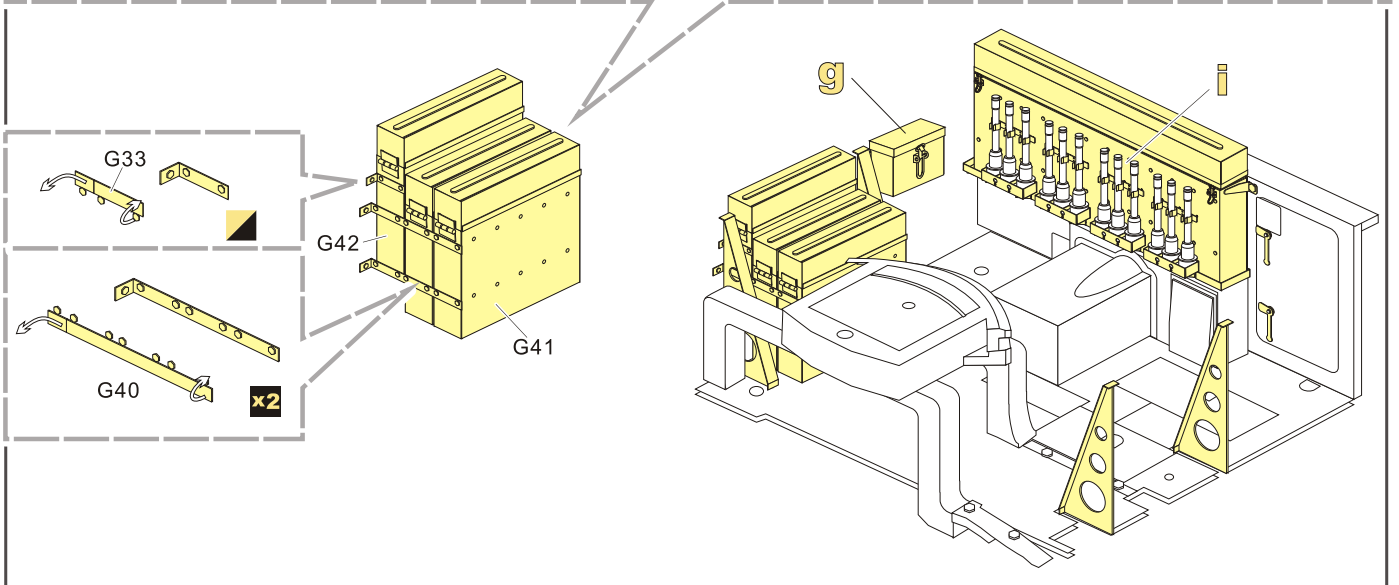
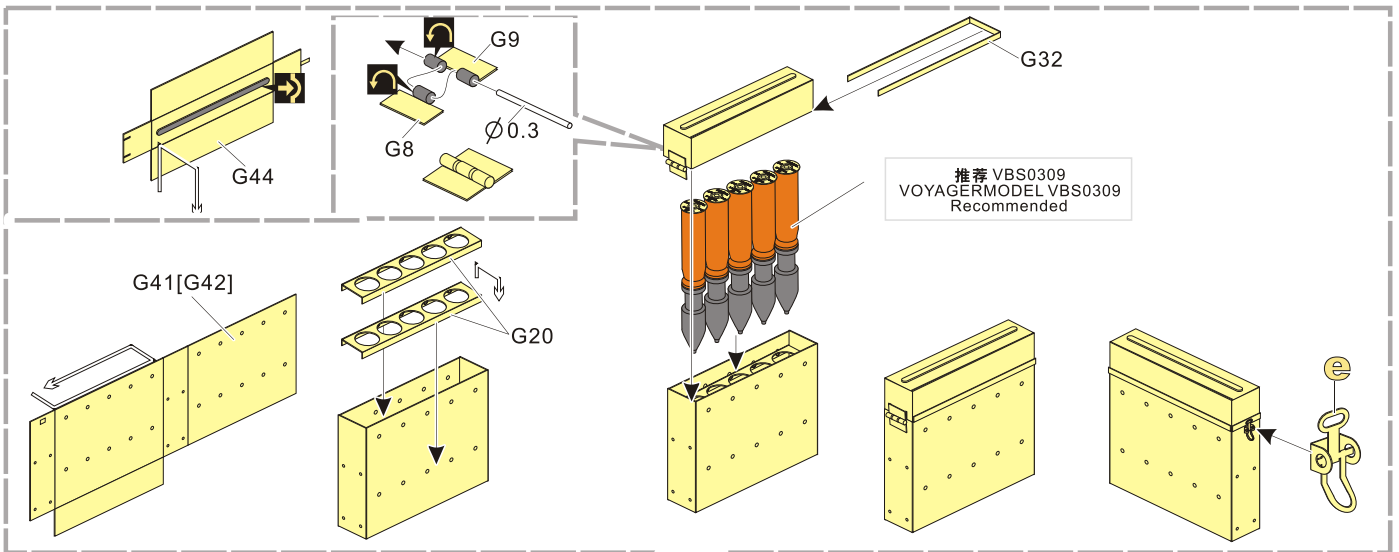
**VOYAGER
MODEL**



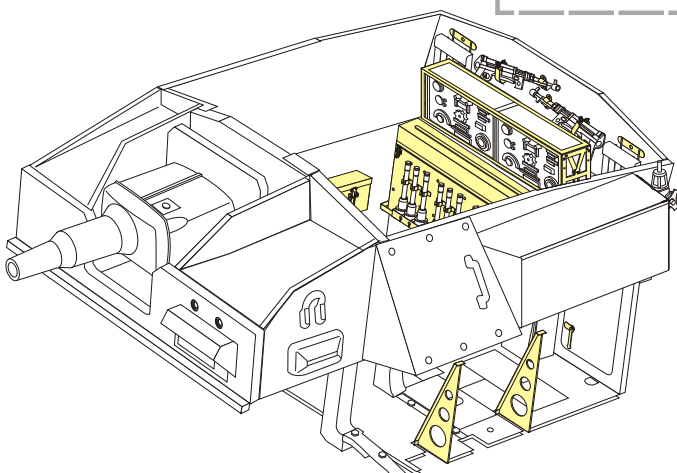
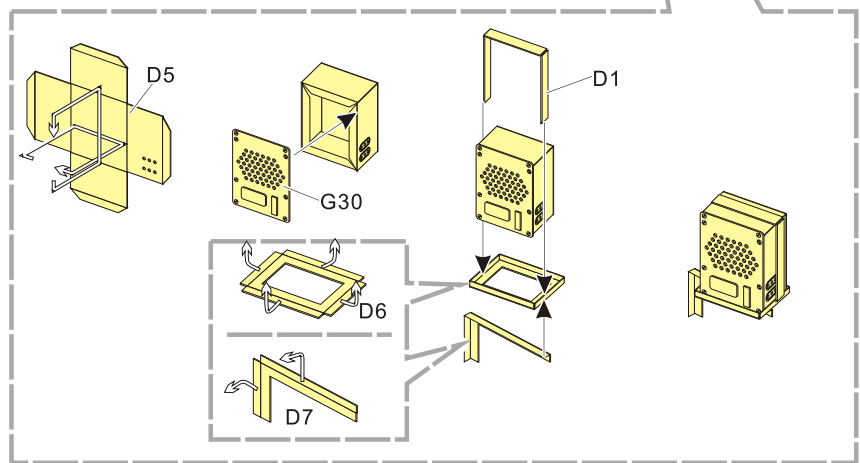
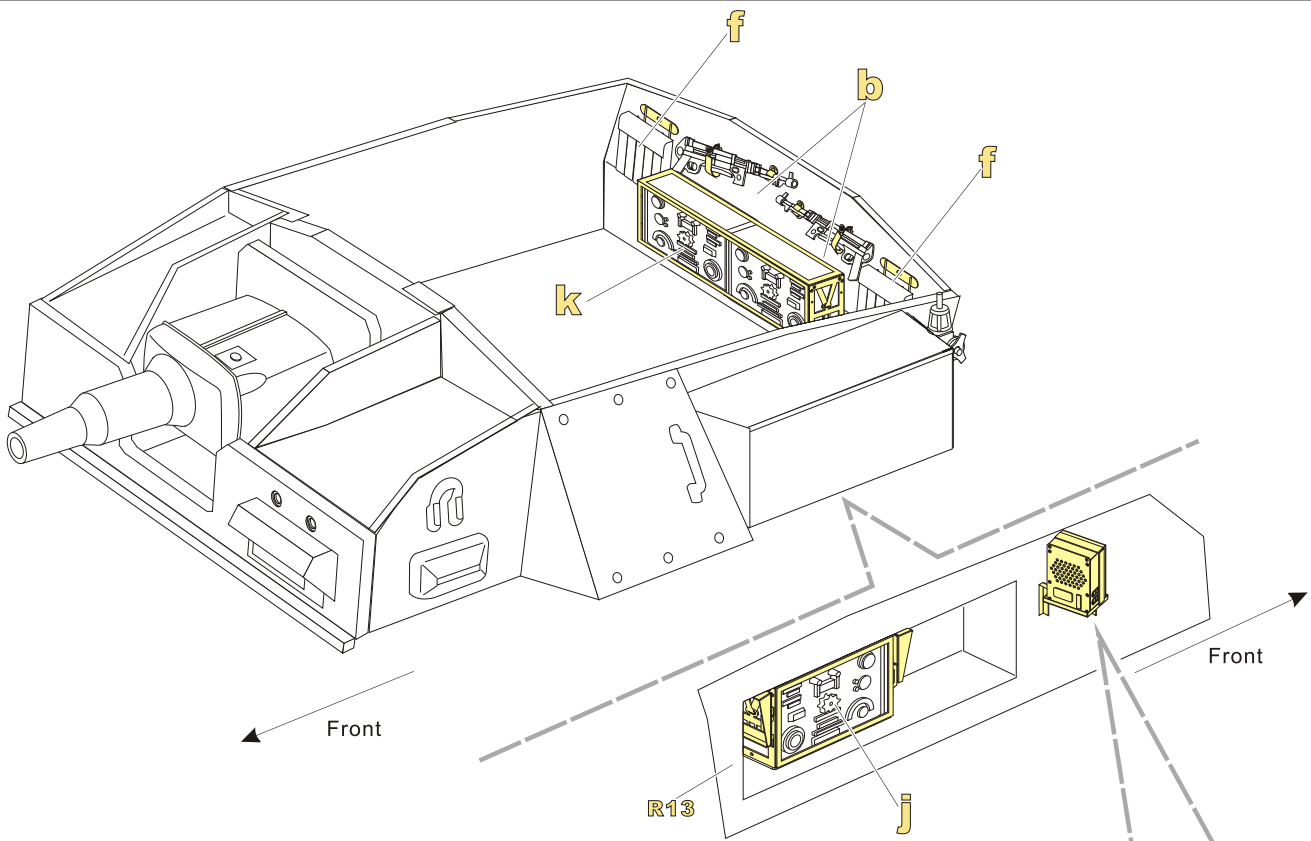
更多PE35885样品照片参考请扫一扫
MORE PICTUER OF PE 35885
REFERENCE SCAN HERE



1/35 MILITARY MINIATURE VEHICLE UPGRADE SERIES PE35885



1/35 MILITARY MINIATURE VEHICLE UPGRADE SERIES PE35885



VOYAGERMODEL[®] 无微不至 极尽享受
The Best Upgrade Solution

Recommended item

| | |
|----------|---|
| PE 35836 | WWII German StuG.III Ausf.E Basic |
| PE 35837 | WWII German StuG.III Ausf.E fenders |
| VBS 0309 | WWII German 75mm KwK 37/StuK 37 Ammunition |
| VBS 0310 | WWII German 75mm KwK 37/StuK 37 Ammunition cartridge |
| PEA 108 | WWII German Pz.KPfw.III Late Production Damaged Road Wheels |



微博公众号
Weibo official or code



官方淘宝
The official taobao



微信公众号
Wechat official or code