

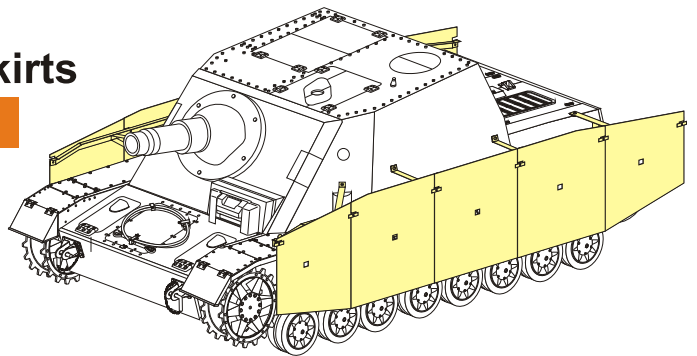
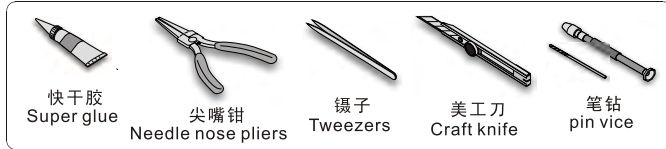
1/35 MILITARY MINIATURE VEHICLE UPGRADE SERIES PEA133

WWII German Sturmpanzer IV Brumbar Early Version Side Skirts

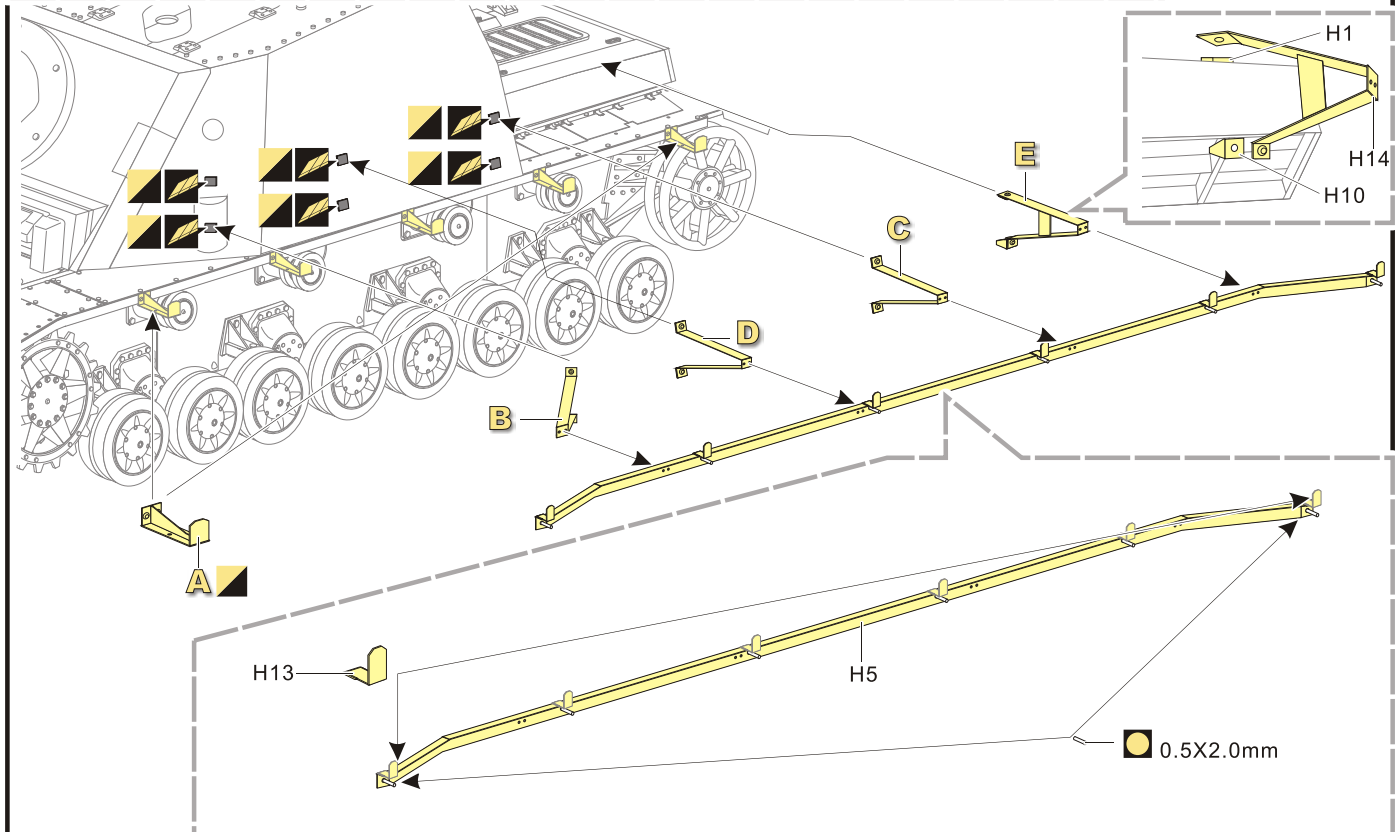
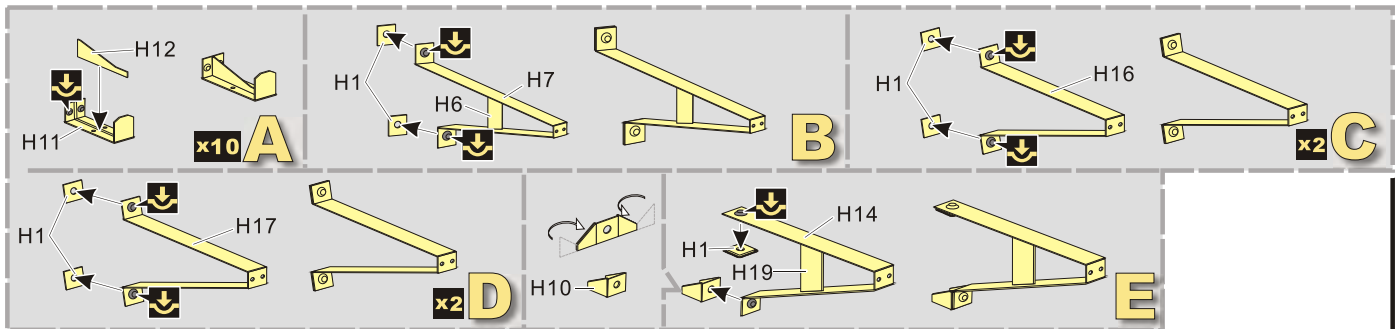
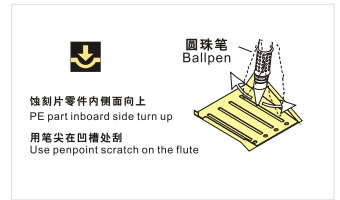
二战德军"灰熊"突击炮早期型裙板改造件

[For TRISTAR 35038]

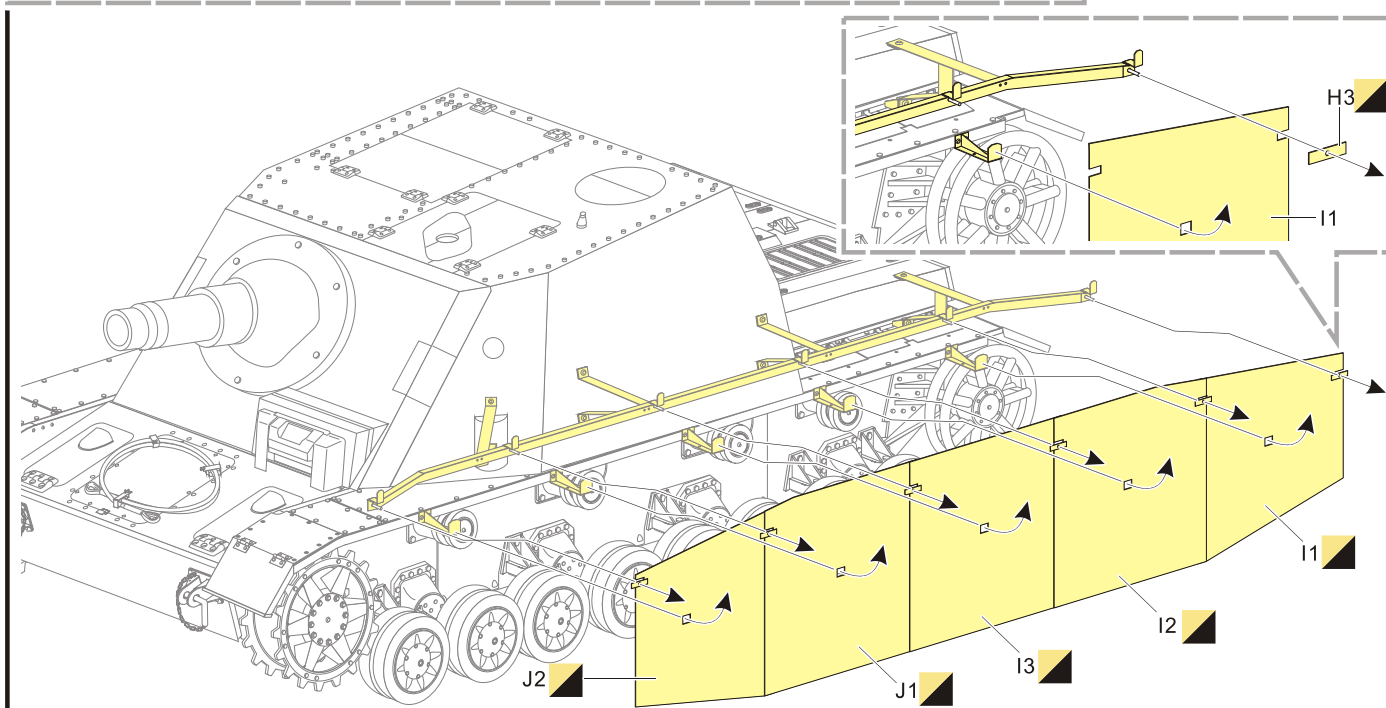
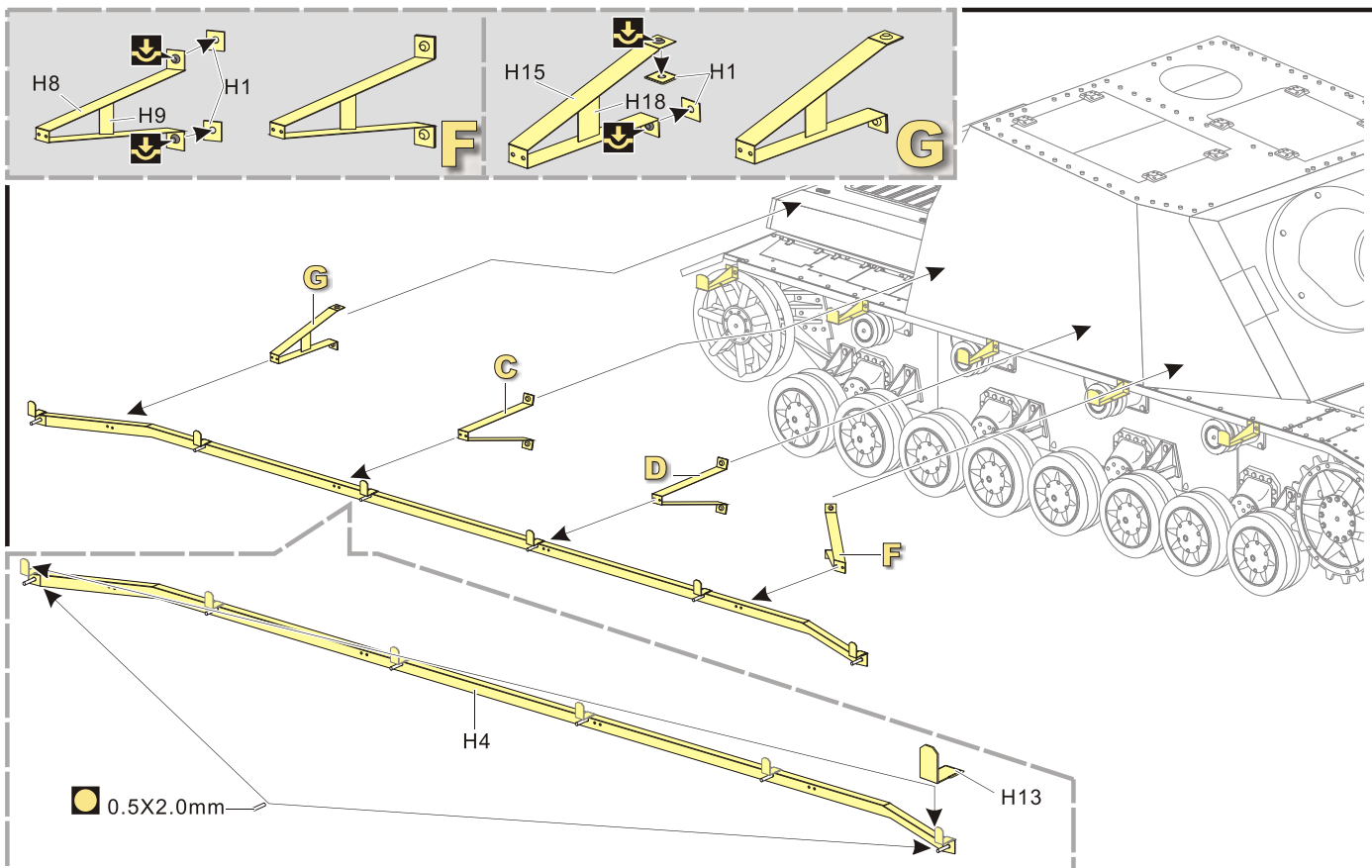
推荐使用工具 RECOMMENDED TOOLS



- 安装 install
- 折叠 bend
- A1** 改造件零件编号 PE/resin part number
- B12** 原零件编号 kit part number
- C22** 被替换的原零件编号 replaced kit part number
- x2** 制作若干组 multiple assembly
- 弧度卷曲 radial bending
- 选择安装 alternative
- 切除 remove
- 钻孔 drill
- 注意 caution
- 另一侧相同制作 repeat on opposite side
- 用尖端在凹槽处冲压 use penpoint to press on the dent
- 打磨 grind off
- 填补 fill
- 用铜管制作 make from brass tube
- 用胶棒制作 make from plastic rod



1/35 MILITARY MINIATURE VEHICLE UPGRADE SERIES PEA133



推荐使用VBS0305二战德军150mm StuH 43榴弹炮用弹药
We suggest use VBS0305 WWII German 150mm StuH 43 Ammunition.

推荐使用VBS0308二战德军150mm StuH 43弹药荚
We suggest use VBS0308 WWII German 150mm StuH 43 Shell Case.

推荐使用PE35260二战德军“灰熊”突击炮早期型改造件进一步升级
We suggest use PE35260 WWII German Sturmpanzer IV Brummbär Early Version for further upgrade.

推荐使用PE35262二战德军“灰熊”突击炮翼子板改造件进一步升级
We suggest use PE35262 WWII German Sturmpanzer IV Brummbär Fenders for further upgrade.