

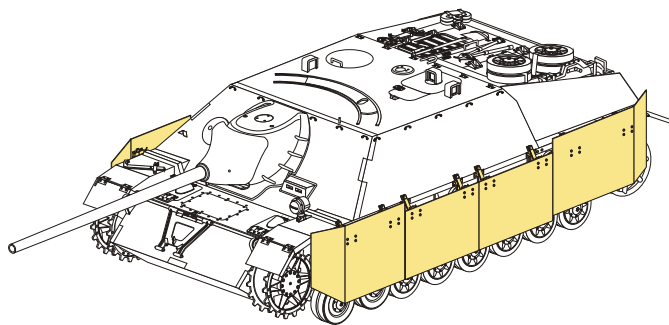
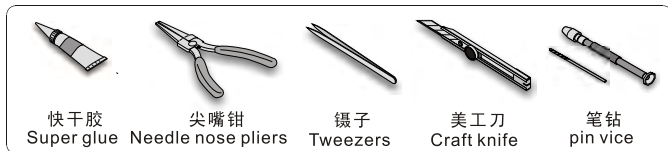
1/35 MILITARY MINIATURE VEHICLE UPGRADE SERIES PEA193

WWII German Jagdpanzer IV Schürzen

二战德军IV号坦克歼击车侧裙改造件

[For DRAGON KIT]

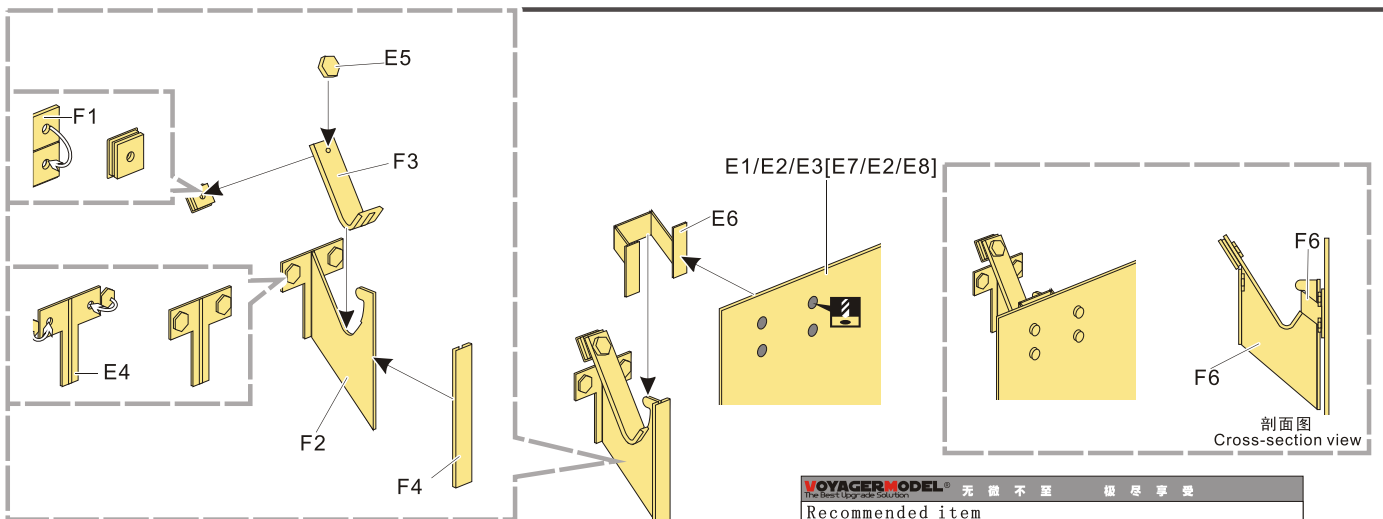
■ 推荐使用工具 RECOMMENDED TOOLS



- 安装
install
- 折叠
bend
- A1**
改造件零件编号
PE/resin part number
- B12**
原零件编号
kit part number
- C22**
被替换的原零件编号
replaced kit part number
- 另一侧相同制作
repeat on opposite side
- 切除
remove
- 打磨
grind off
- 弧度卷曲
radial bending
- x2**
制作若干组
multiple assembly
- 选择安装
alternative
- 注意
caution
- 扩孔
ream
- 钻孔
drill
- 填补
fill

用尖端在凹槽处冲压
use penpoint to press on the dent

蚀刻片零件内朝面向上
Put the part upside down
用笔尖在凹槽处刺
Use penpoint to press on the dent



[Http://www.voyagermodel.com/productdetails.asp?itemid=PEA193](http://www.voyagermodel.com/productdetails.asp?itemid=PEA193)



**VOYAGER
MODEL**



更多PEA 193样品照片参考请扫一扫
MORE PICTUER OF PEA 193
REFERENCE SCAN HERE

VOYAGERMODEL® 无微不至 极尽享受	
Recommended item	
VBS0149	WWII German Jagdpanzer family 75mm L/70 Barrel w/Mantlet
PE35340	WWII German Jagdpanzer IV L/70(V) basic
PE35341	WWII German Jagdpanzer IV fenders

