

1/35 MILITARY MINIATURE VEHICLE UPGRADE SERIES PEA 308

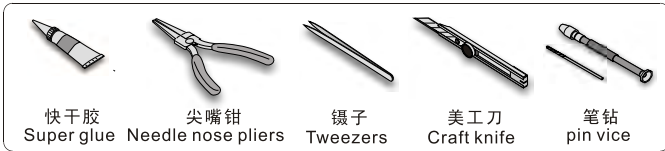
[Http://www.voyagermodel.com/productdetails.asp?itemid=PEA308](http://www.voyagermodel.com/productdetails.asp?itemid=PEA308)

Modern US Army M1A2 TUSK II Engine Cooling

现代美军M1A2 TUSK II主战坦克引擎散热口

[For TAMIYA 35326]

推荐使用工具 RECOMMENDED TOOLS



VOYAGER MODEL



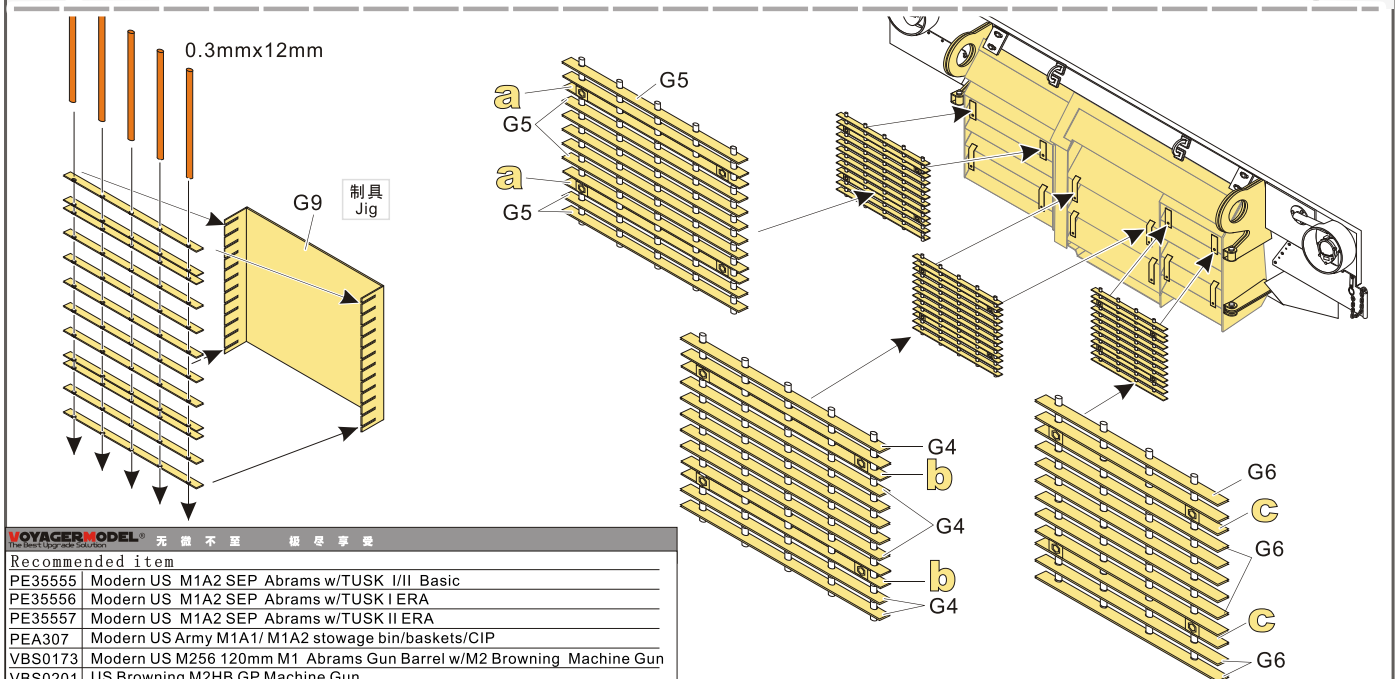
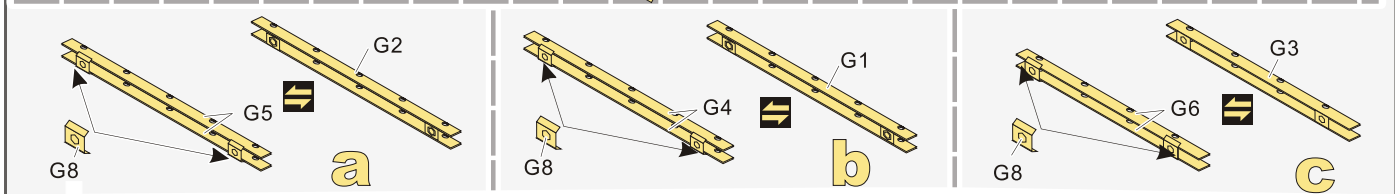
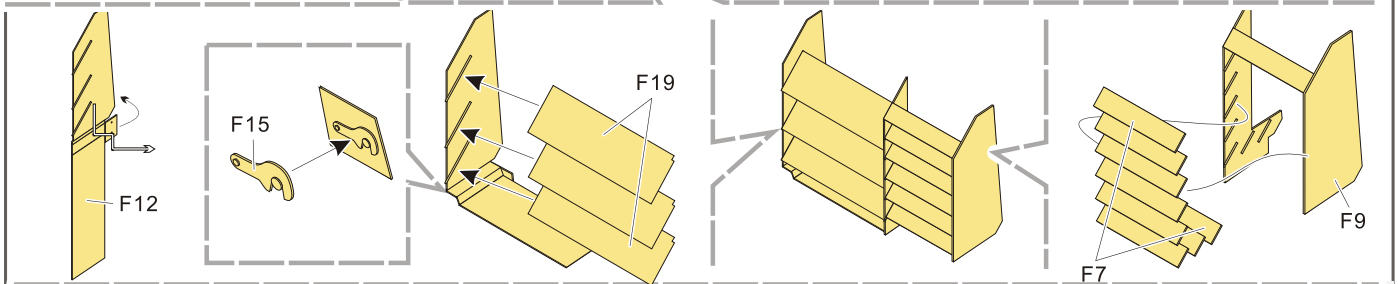
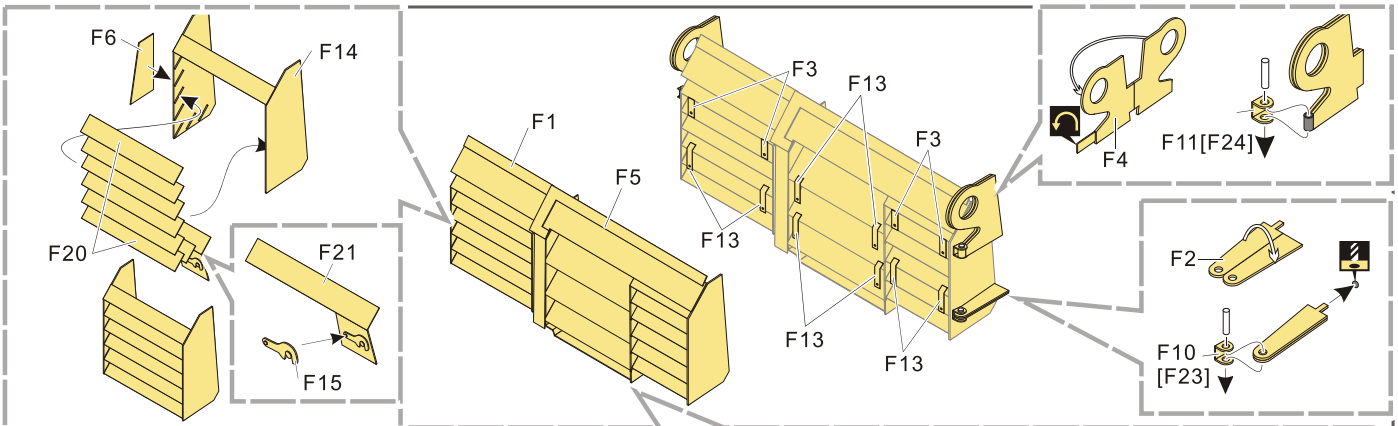
更多PEA308样品照片参考请扫一扫
MORE PICTURE OF PEA308
REFERENCE SCAN HERE

↑ 安装 install

⇌ 选择安装 alternative

⚡ 钻孔 drill

↷ 弧度卷曲 radial bending



VOYAGERMODEL[®] 无微不至 极致享受

Recommended item	
PE35555	Modern US M1A2 SEP Abrams w/TUSK I/II Basic
PE35556	Modern US M1A2 SEP Abrams w/TUSK I ERA
PE35557	Modern US M1A2 SEP Abrams w/TUSK II ERA
PEA307	Modern US Army M1A1/ M1A2 stowage bin/baskets/CIP
VBS0173	Modern US M256 120mm M1 Abrams Gun Barrel w/M2 Browning Machine Gun
VBS0201	US Browning M2HB GP Machine Gun