

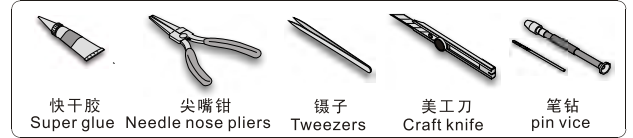
1/35 MILITARY MINIATURE VEHICLE UPGRADE SERIES PEA477

WWII German Panzer IV OVM Holders Early Version

二战德军IV号坦克早期型通用工具组扣具改造件

[For GP]

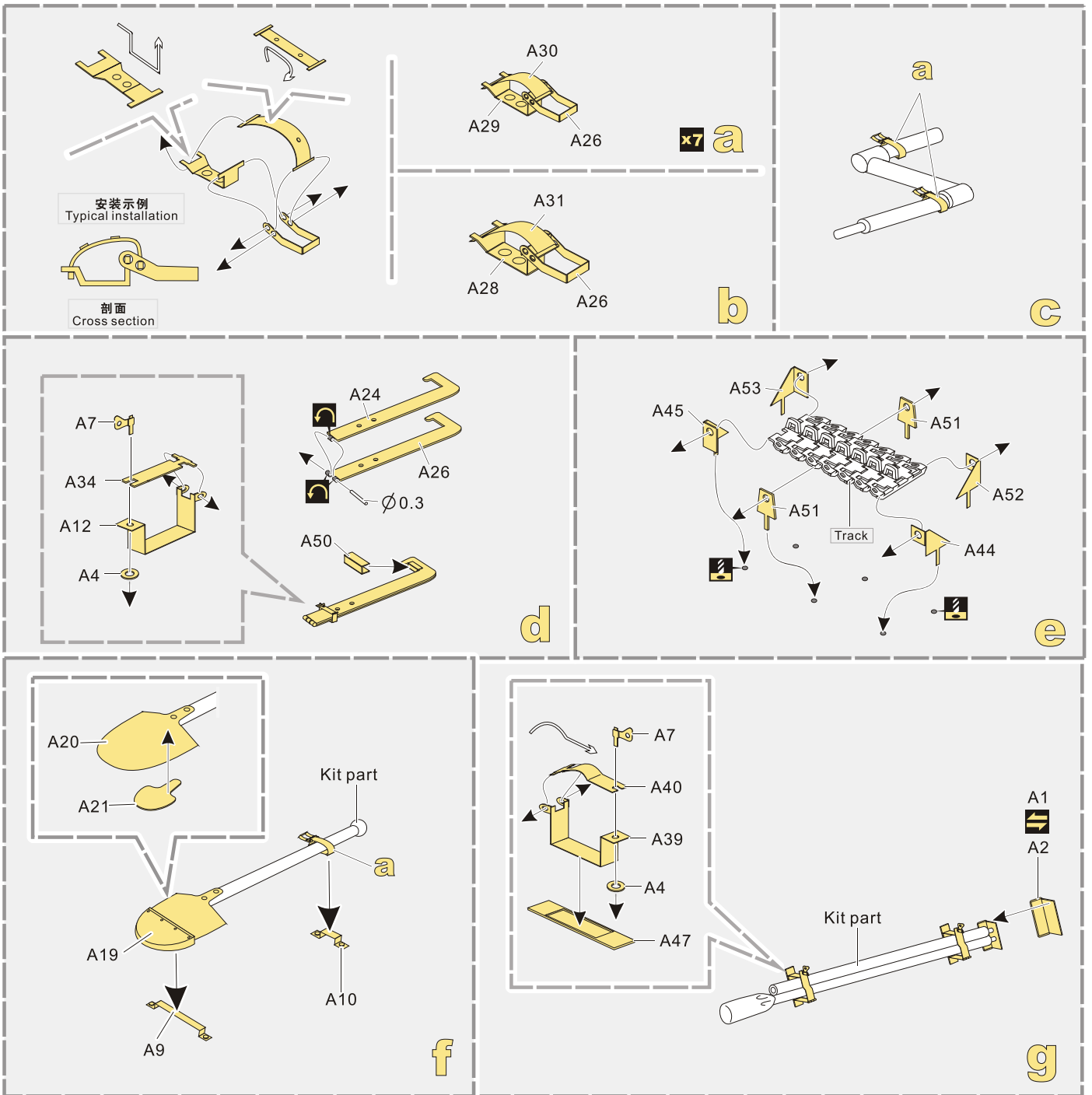
■ 推荐使用工具 RECOMMENDED TOOLS



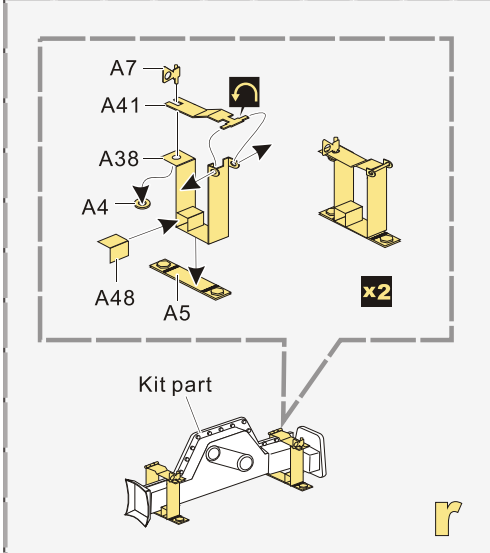
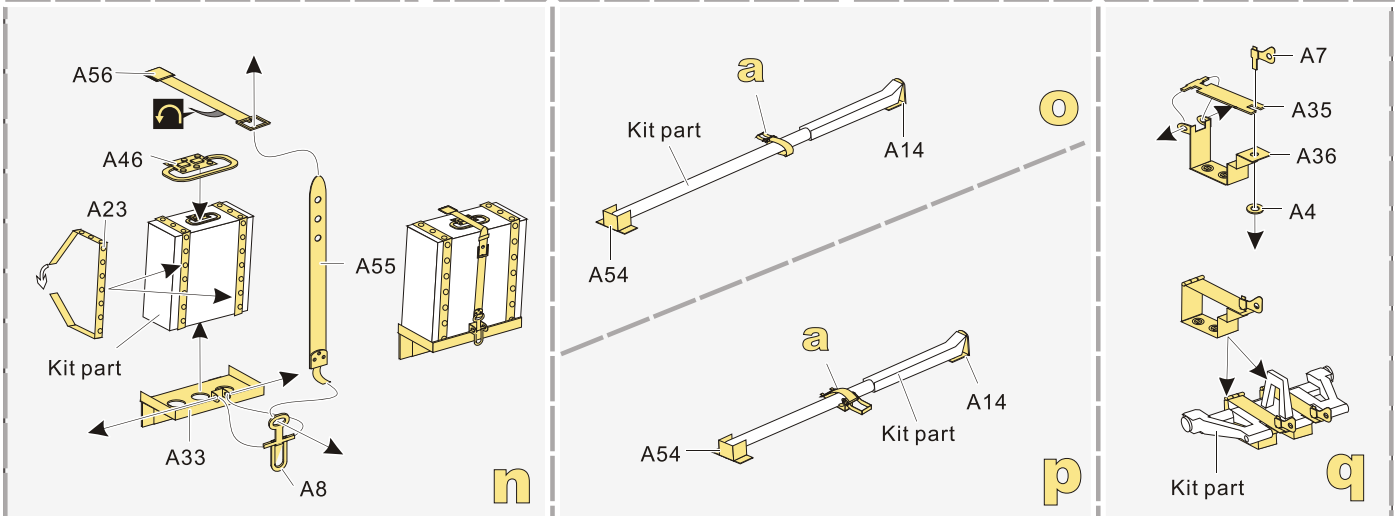
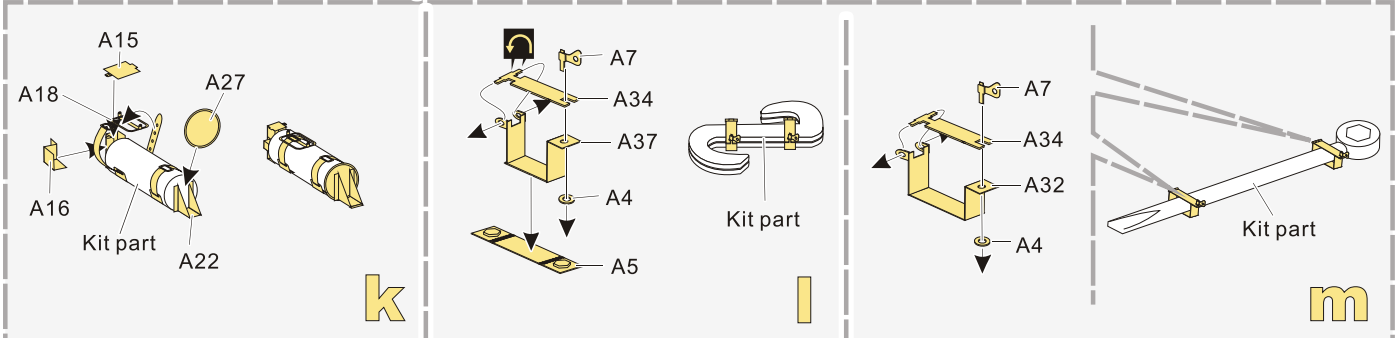
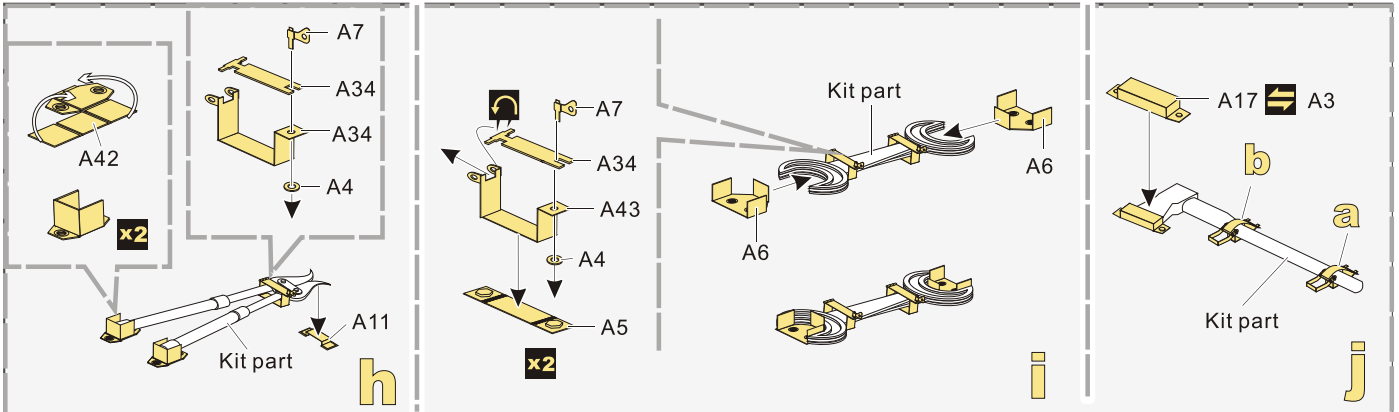
- 安装
install
- 折叠
bend
- A1**
改造件零件编号
PE/resin part number
- B12**
原零件编号
kit part number
- C22**
被替换的原零件编号
replaced kit part number
- 另一侧相同制作
repeat on opposite side
- 切除
remove
- 打磨
grind off
- 弧度卷曲
radial bending
- x2**
制作若干组
multiple assembly
- 选择安装
alternative
- 钻孔
drill
- 用胶棒制作
make from plastic rod

用尖端在凹槽处冲压
use penpoint to press on the dent

蚀刻片零件内侧面向上
Put the part upside down
用笔尖在凹槽处刮
Use penpoint to press on the dent



1/35 MILITARY MINIATURE VEHICLE UPGRADE SERIES PEA477



[Http://www.voyagermodel.com/productdetails.asp?itemid=PEA477](http://www.voyagermodel.com/productdetails.asp?itemid=PEA477)



**VOYAGER
MODEL**



更多PEA 477样品照片参考请扫一扫
MORE PICTUER OF PEA 477
REFERENCE SCAN HERE