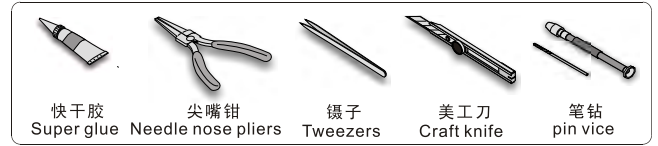


1/35 MILITARY MINIATURE VEHICLE UPGRADE SERIES PEA478

■ 推荐使用工具 RECOMMENDED TOOLS



WWII German Panzer IV OVM Holders Late Version

二战德军IV号坦克后期型通用工具组扣具改造件

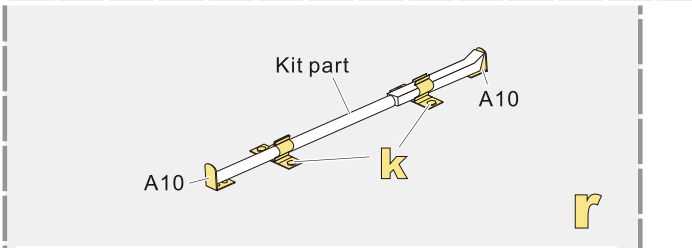
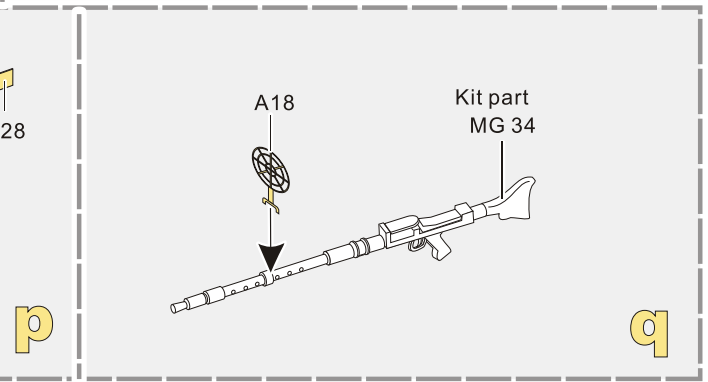
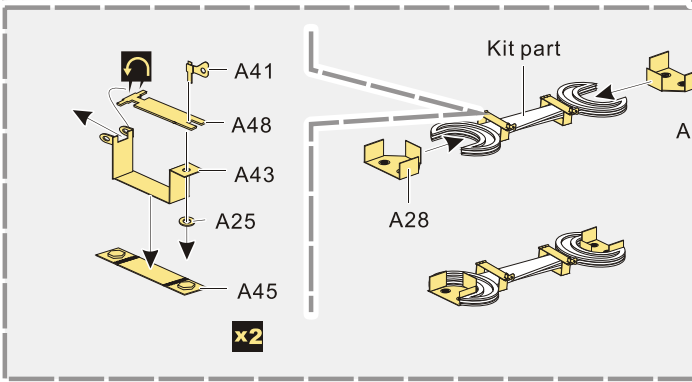
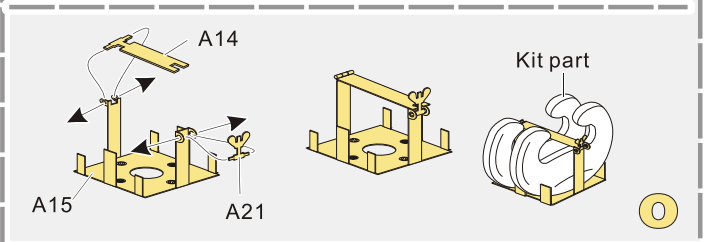
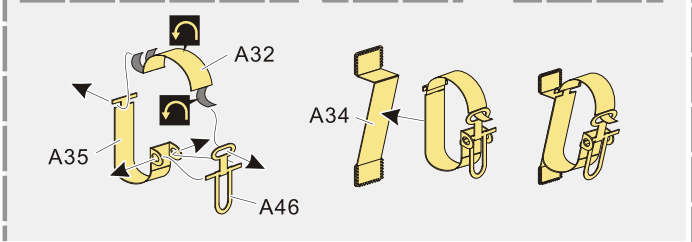
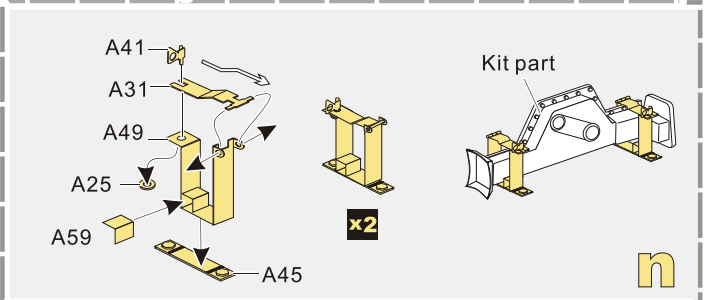
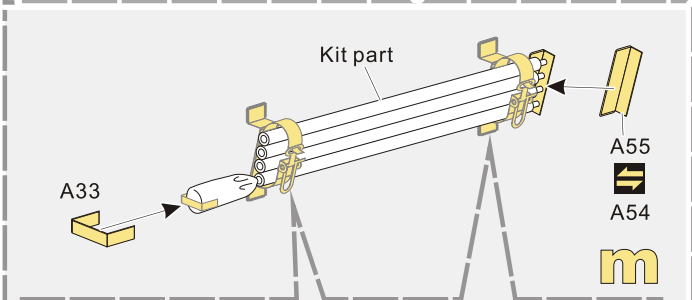
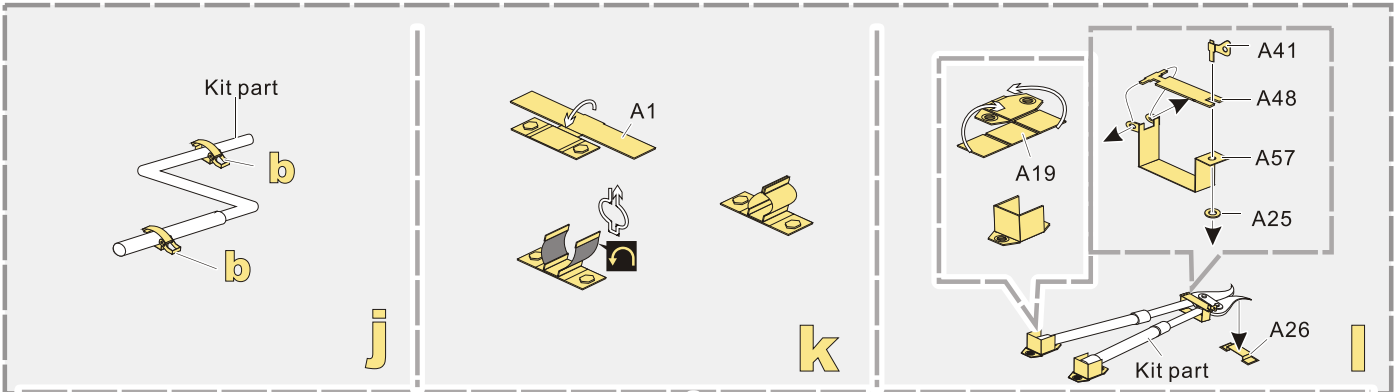
[For GP]

- 
 安装
install
- 
 折叠
bend
- 
 改造件零件编号
PE/resin part number
- 
 原零件编号
kit part number
- 
 被替换的原零件编号
replaced kit part number
- 
 另一侧相同制作
repeat on opposite side
- 
 弧度卷曲
radial bending
- 
 制作若干组
multiple assembly
- 
 切除
remove
- 
 打磨
grind off
- 
 选择安装
alternative
- 
 钻孔
drill
- 
 用胶棒制作
make from plastic rod

The main assembly diagrams are organized into several panels:

- Panel a:** Shows the assembly of parts A4, A5, and A26. Part A5 is bent (radial bending) and then attached to A4. Part A26 is attached to A4. This assembly is made in two copies (x2).
- Panel b:** Shows the assembly of parts A2, A3, and A26. Part A3 is bent and attached to A2. Part A26 is attached to A2. This assembly is made in three copies (x3).
- Panel c:** Shows the assembly of parts A41, A48, A50, A56, A58, and A25. Part A50 is bent and attached to A41. Part A48 is attached to A41. Part A56 is attached to A48. Part A58 is attached to A56. Part A25 is attached to A58. This assembly is made in two copies (x2).
- Panel d:** Shows the assembly of parts A36, A37, A38, A39, A40, and the Track. Part A39 is bent and attached to A38. Part A40 is attached to A38. Part A37 is attached to A39. Part A36 is attached to A37. The Track is attached to A36. This assembly is made in two copies (x2).
- Panel e:** Shows the assembly of parts A20, A23, A24, and A58. Part A20 is bent and attached to A23. Part A24 is attached to A23. Part A58 is attached to A24. This assembly is made in two copies (x2).
- Panel f:** Shows the assembly of parts A9, A11, A12, A13, A19, and the Kit part. Part A12 is bent and attached to A11. Part A19 is attached to A11. Part A13 is attached to A19. Part A9 is attached to A13. The Kit part is attached to A13. This assembly is made in two copies (x2).
- Panel g:** Shows the assembly of parts A8, A17, A27, and T8. Part A17 is bent and attached to T8. Part A27 is attached to A17. Part A8 is attached to A27. This assembly is made in two copies (x2).
- Panel h:** Shows the assembly of parts A25, A29, A41, A42, A48, and A49. Part A41 is bent and attached to A48. Part A42 is attached to A48. Part A25 is attached to A42. Part A29 is attached to A42. Part A49 is attached to A25. This assembly is made in two copies (x2).
- Panel i:** Shows the assembly of parts A47, A51, A52, and A53. Part A51 is bent and attached to A47. Part A52 is attached to A51. Part A53 is attached to A52. This assembly is made in two copies (x2).

1/35 MILITARY MINIATURE VEHICLE UPGRADE SERIES PE35478



[Http://www.voyagermodel.com/productdetails.asp?itemid=PEA478](http://www.voyagermodel.com/productdetails.asp?itemid=PEA478)

VOYAGERMODEL

更多PEA 478样品照片参考请扫一扫
MORE PICTUER OF PEA 478
REFERENCE SCAN HERE

