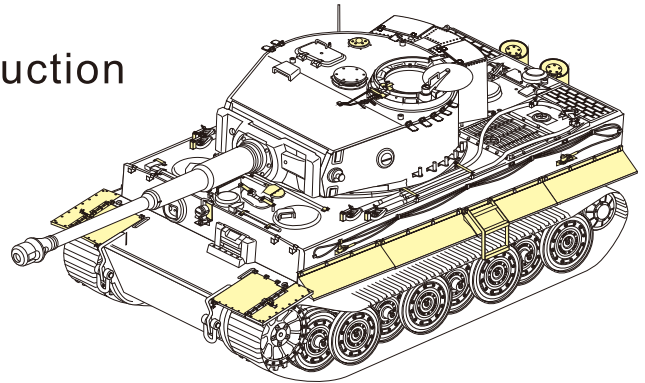


1/48 MILITARY MINIATURE VEHICLE UPGRADE SERIES VPE48035

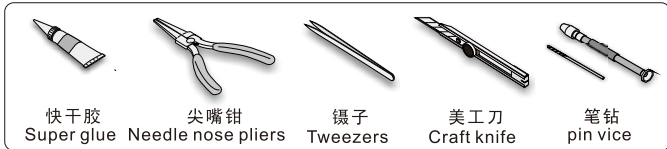
# WWII German Tiger I Late Production

## 二战德军虎I型坦克后期型改造件

[For TAMIYA 32575]



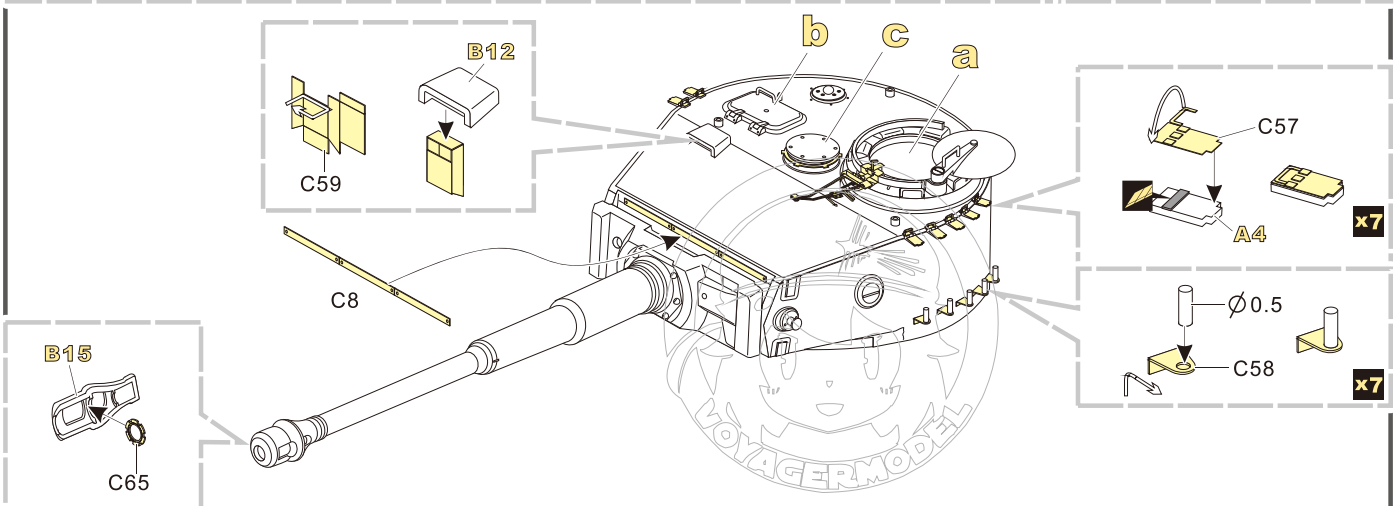
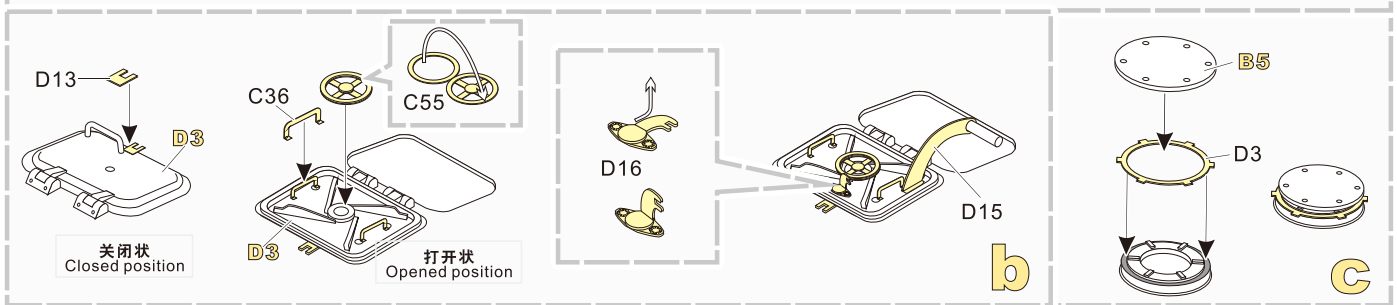
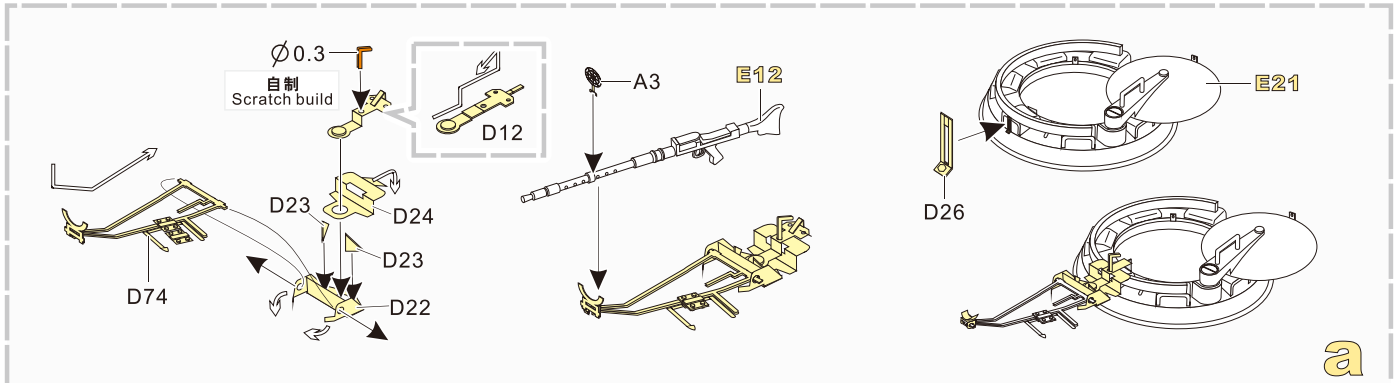
■ 推荐使用工具 RECOMMENDED TOOLS



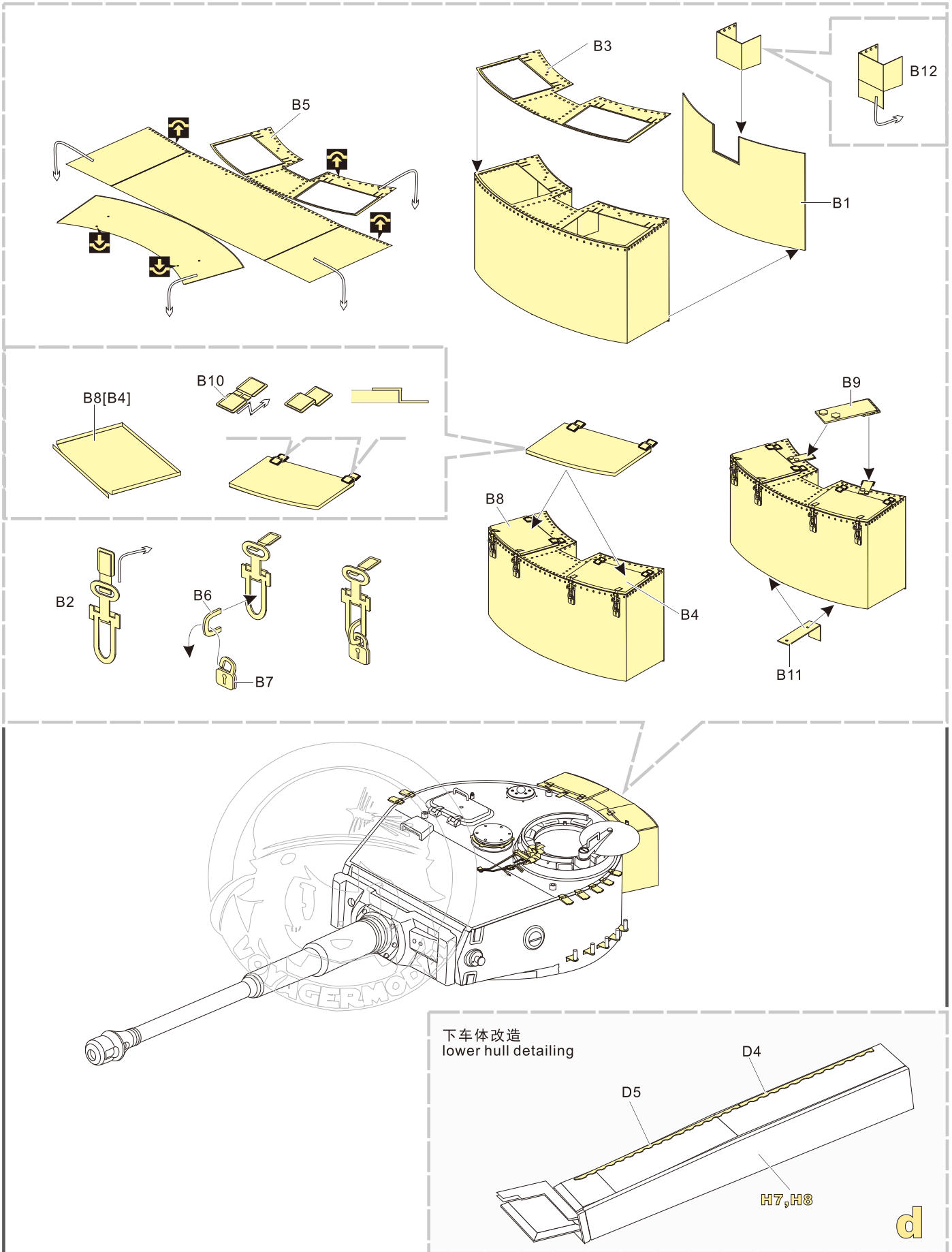
↑ 安装 install	↶ 折叠 bend	<b>A1</b> 改造件零件编号 PE/resin part number	<b>B12</b> 原零件编号 kit part number	<b>C22</b> 被替换的原零件编号 replaced kit part number	↔ 另一侧相同制作 repeat on opposite side	↓ 用尖端在凹槽处冲压 use penpoint to press on the dent
✂ 切除 remove	◻ 填补 fill	⤵ 弧度卷曲 radial bending	✖ 制作若干组 multiple assembly	↔ 选择安装 alternative	⚪ 钻孔 drill	⦿ 用胶棒制作 make from plastic rod

独制片零件内面向上  
Put the part upside down

用笔尖在凹槽处刺  
Use penpoint to press on the dent

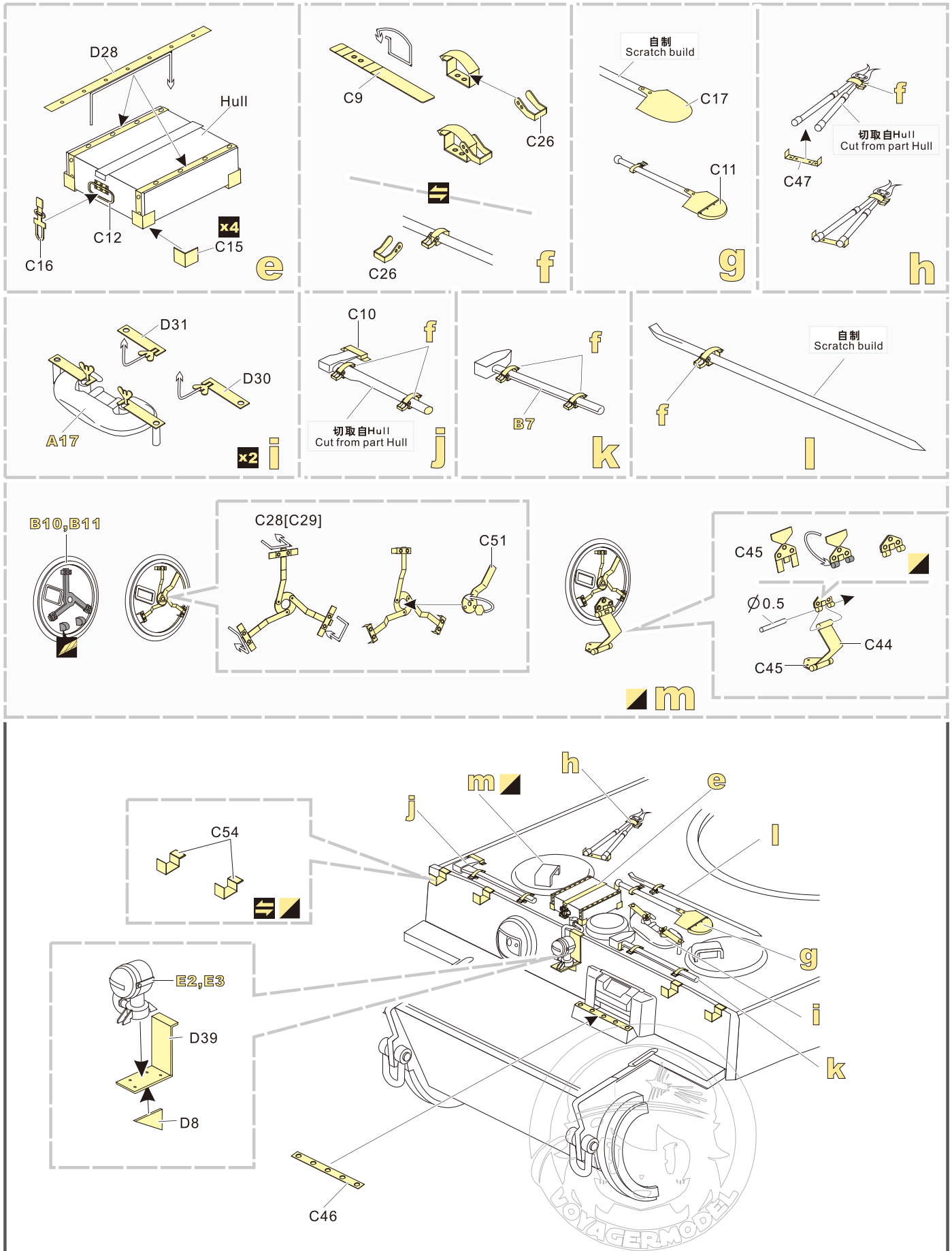


1/48 MILITARY MINIATURE VEHICLE UPGRADE SERIES VPE48035

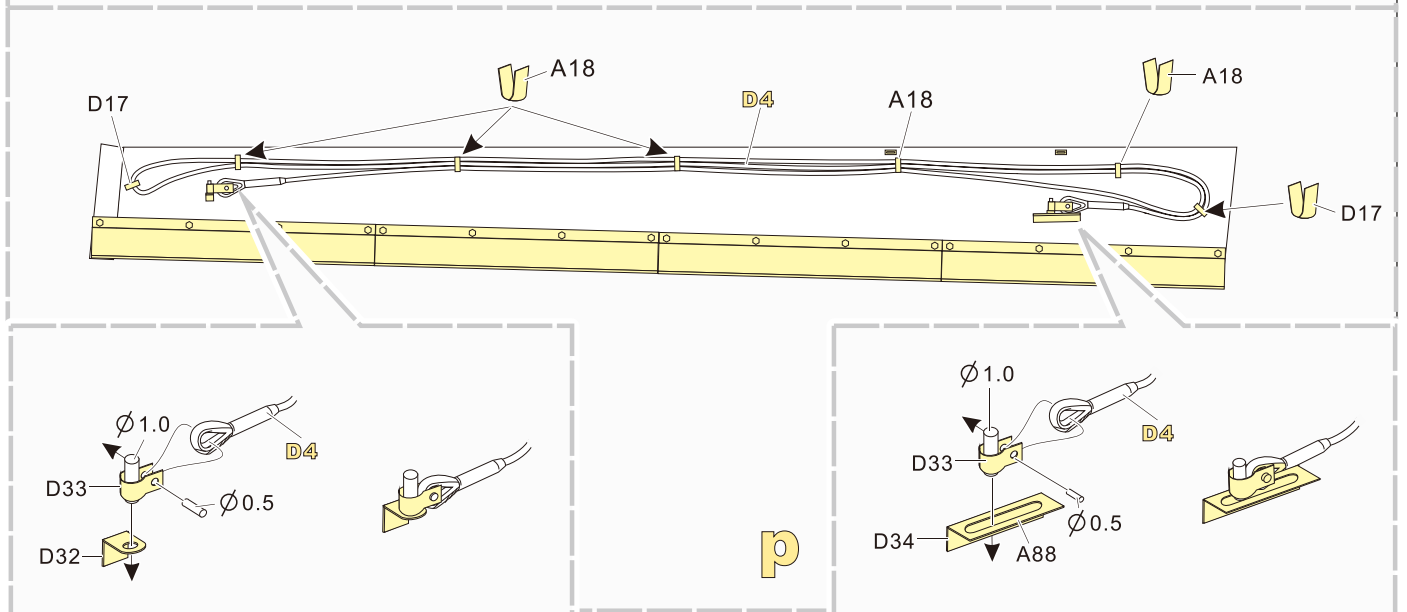
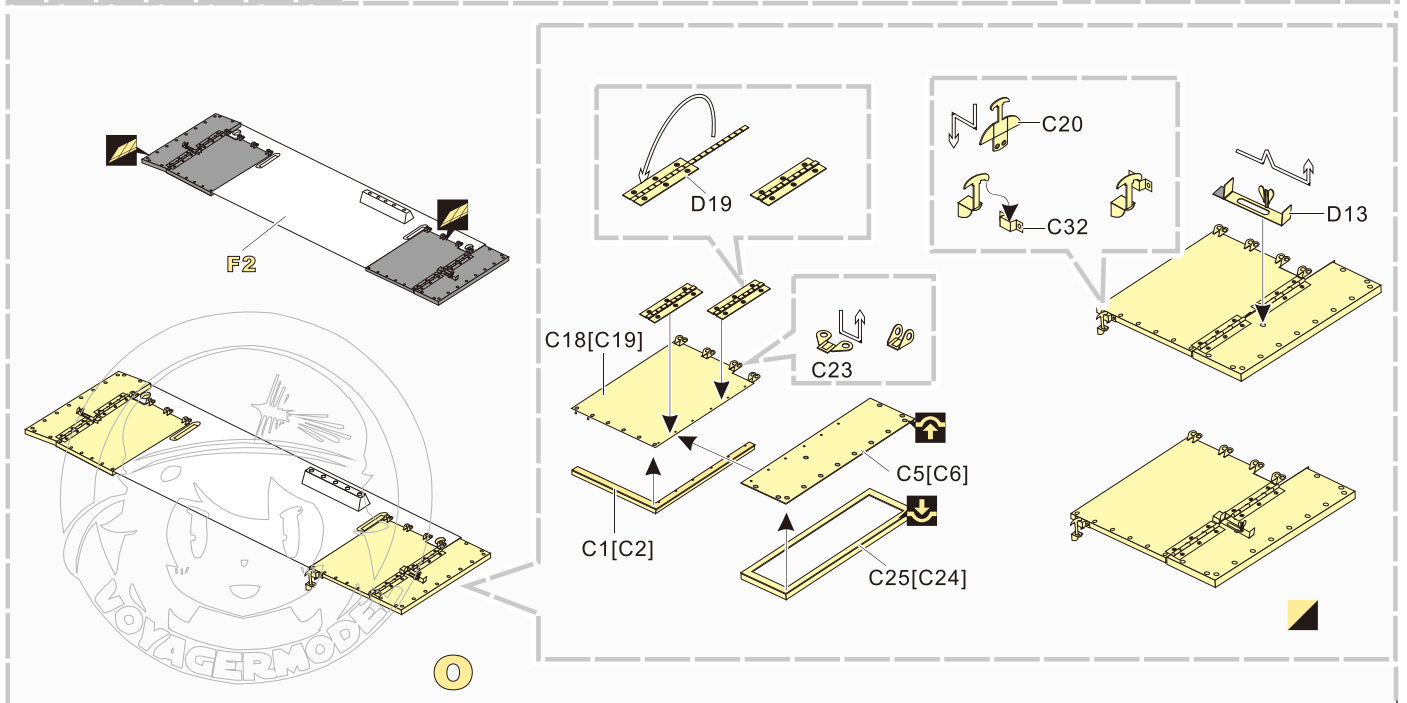
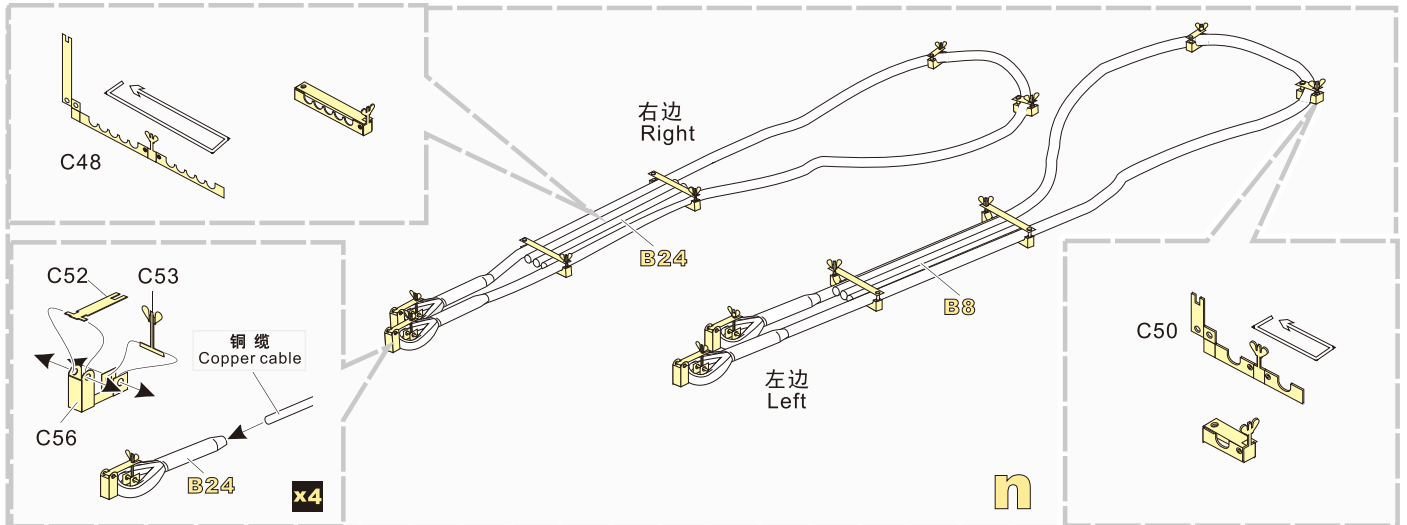


下车体改造  
lower hull detailing

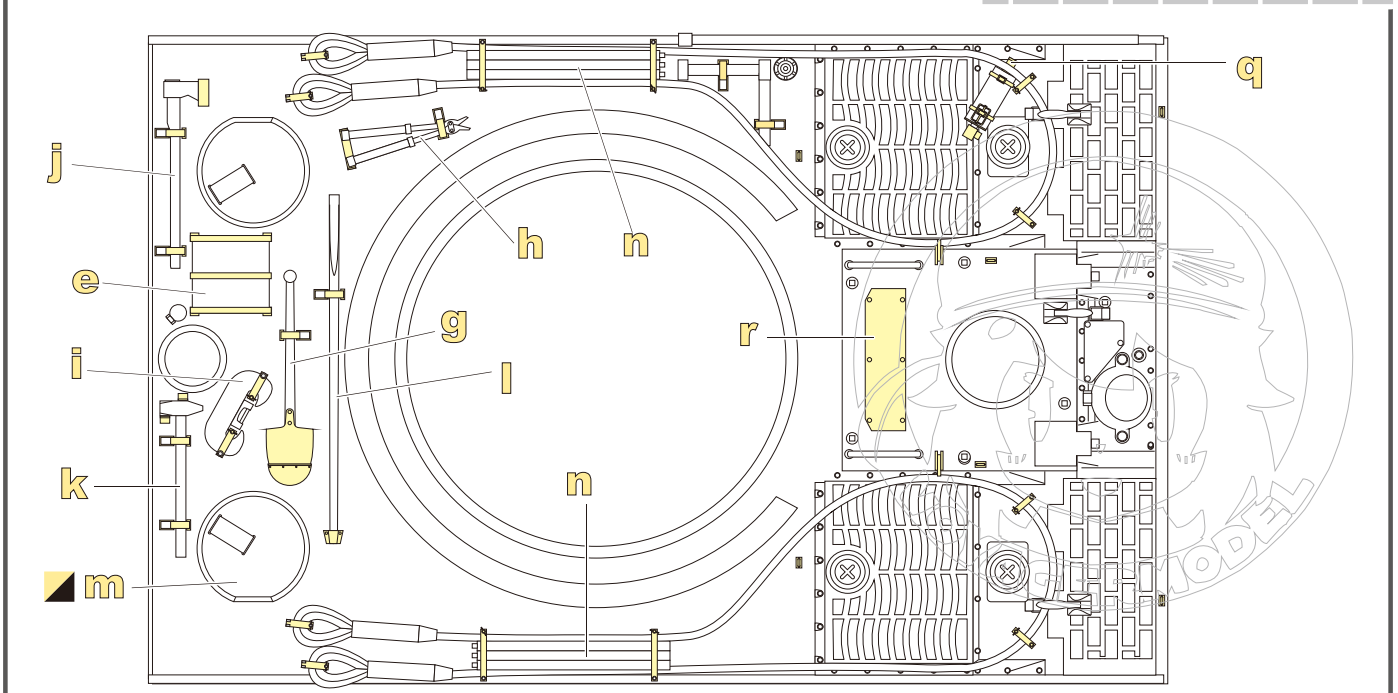
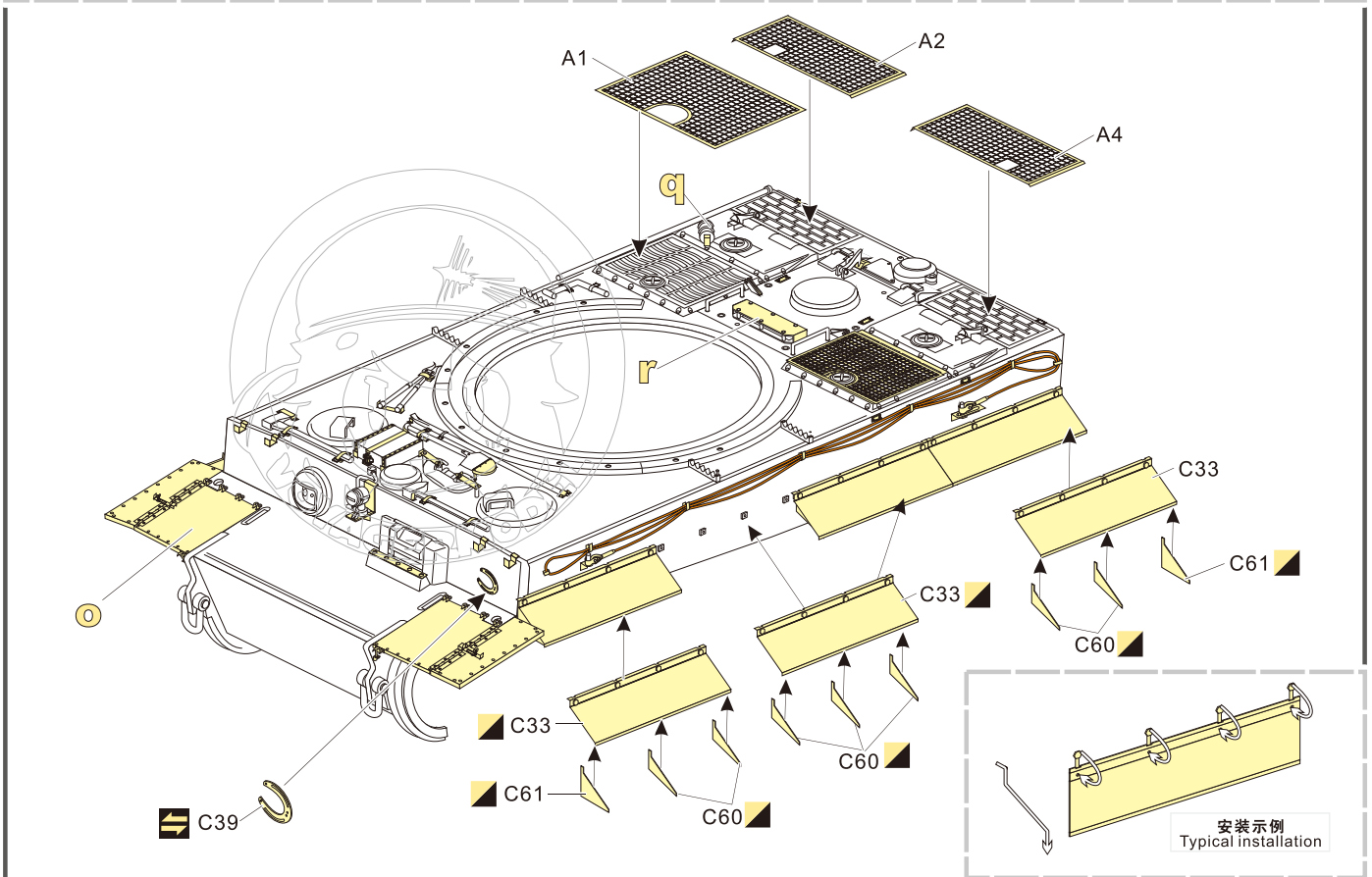
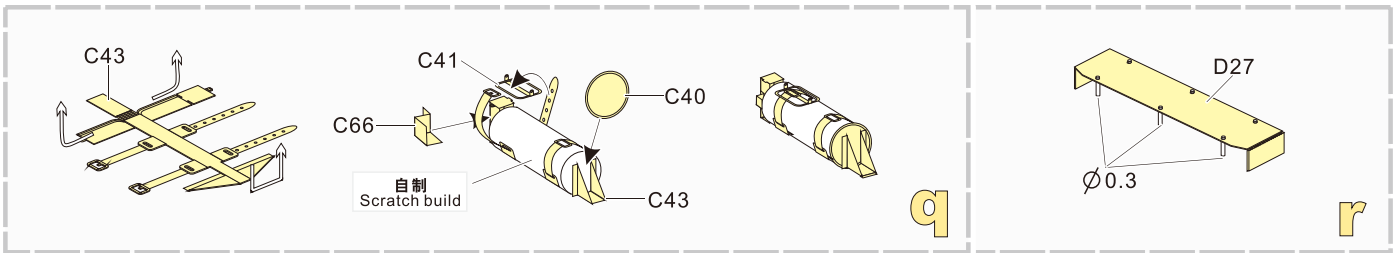
1/48 MILITARY MINIATURE VEHICLE UPGRADE SERIES VPE48035



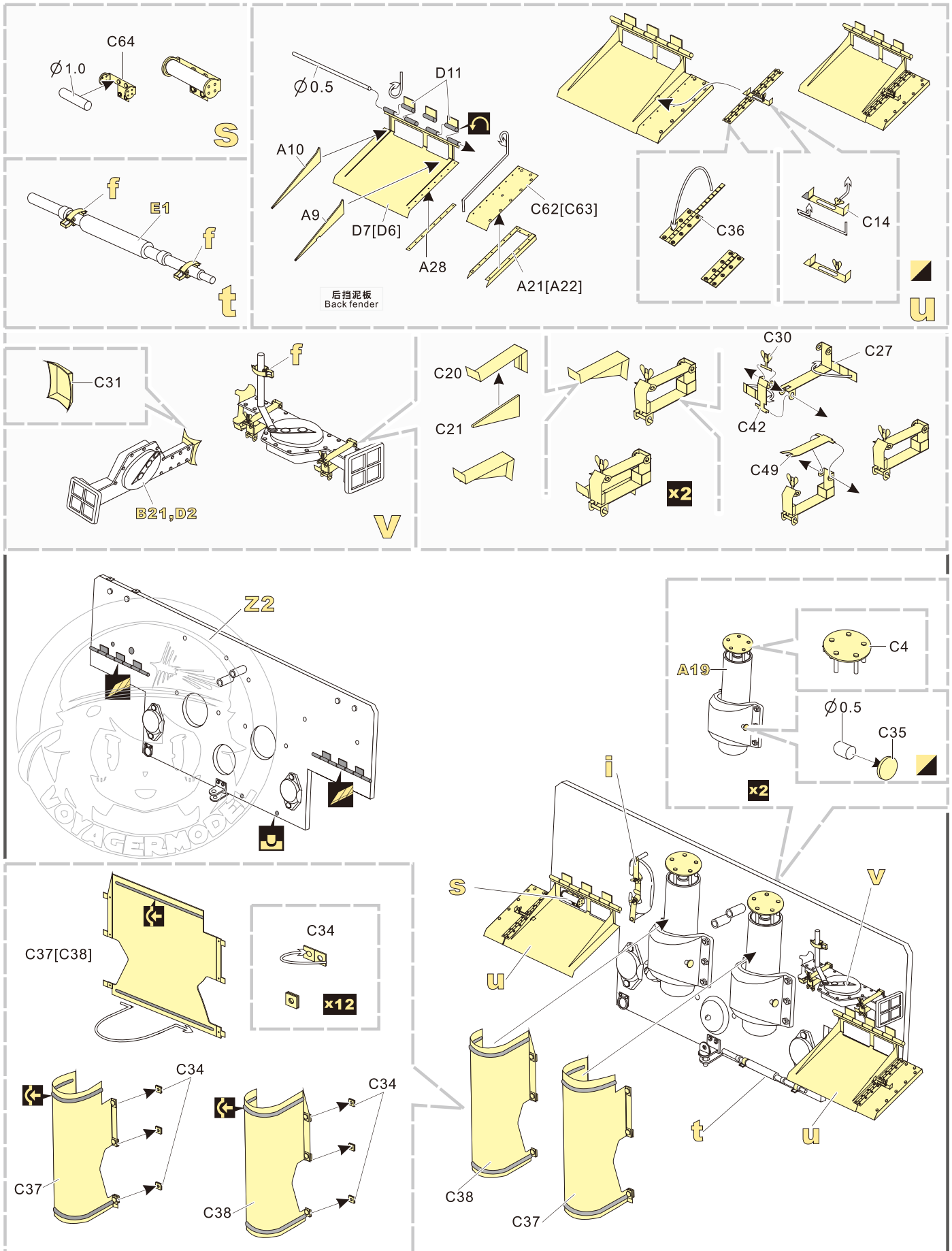
1/48 MILITARY MINIATURE VEHICLE UPGRADE SERIES VPE48035



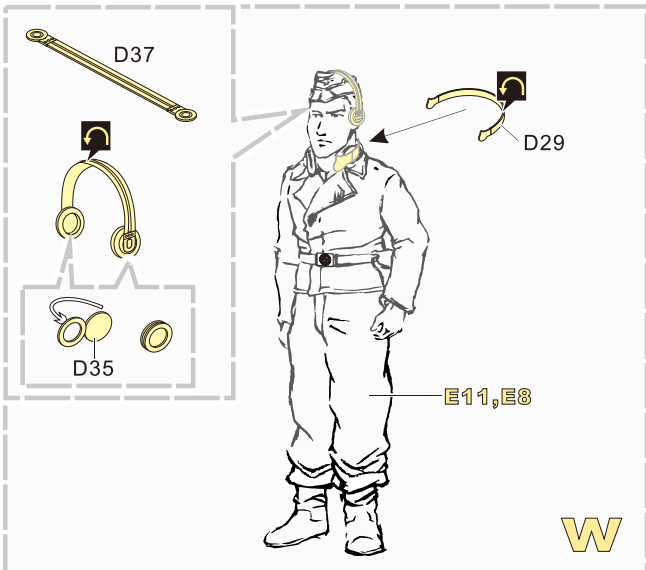
1/48 MILITARY MINIATURE VEHICLE UPGRADE SERIES VPE48035



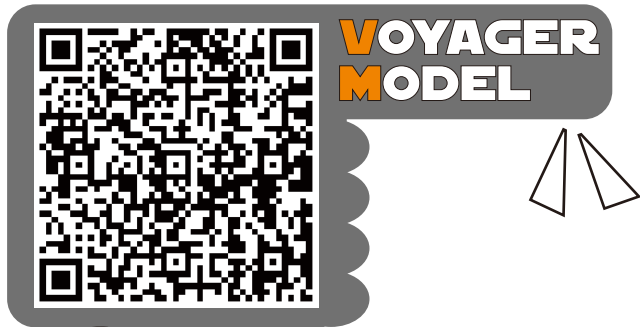
1/48 MILITARY MINIATURE VEHICLE UPGRADE SERIES VPE48035



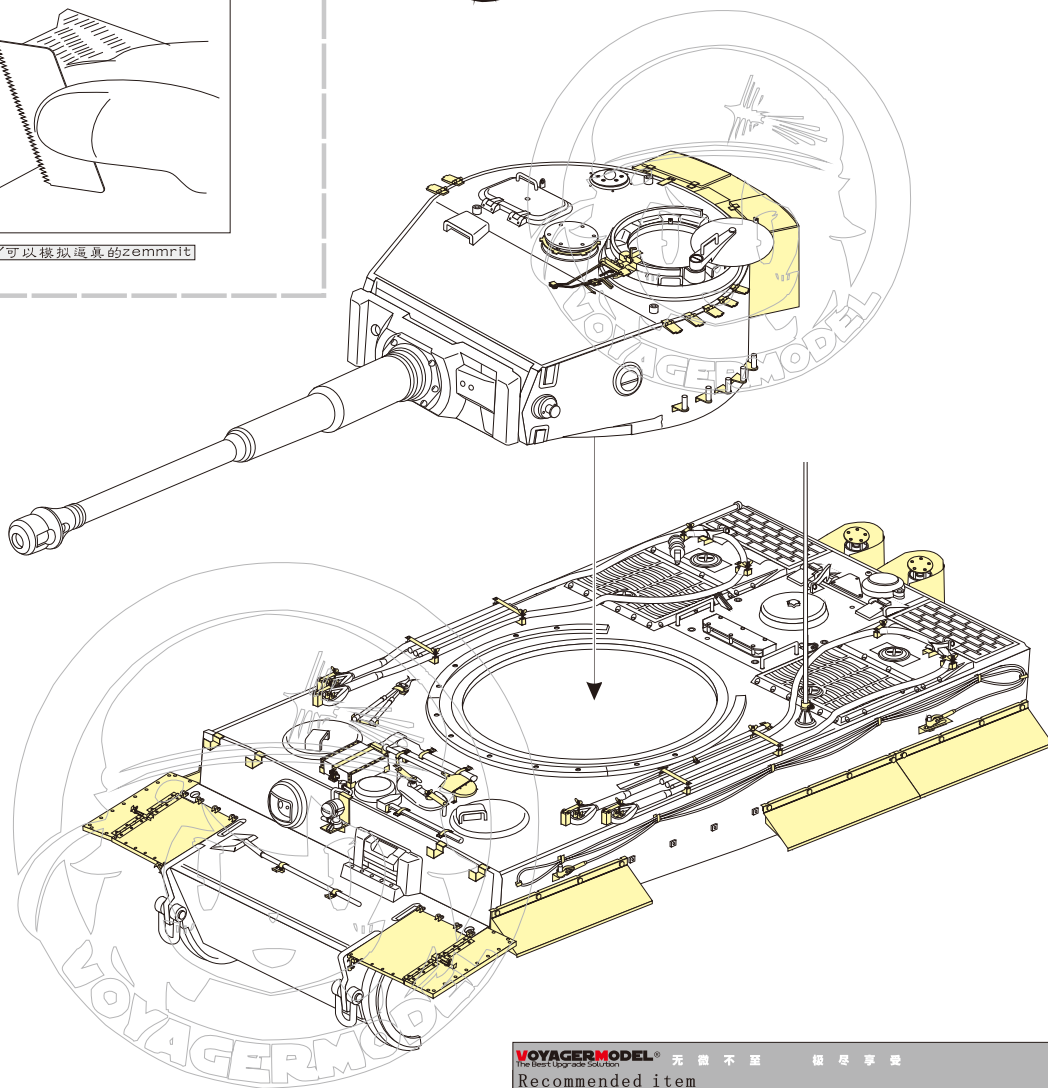
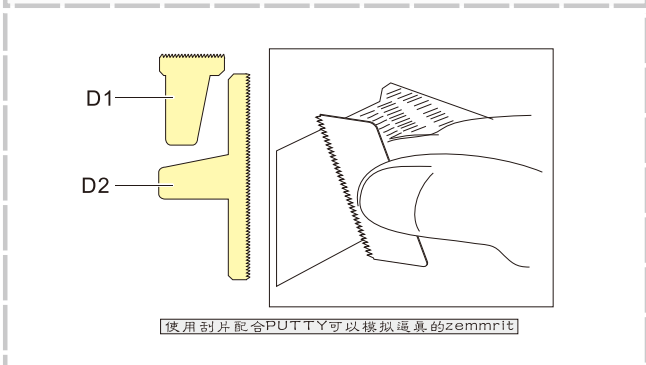
1/48 MILITARY MINIATURE VEHICLE UPGRADE SERIES VPE48035



[Http://www.voyagermodel.com/productdetails.asp?itemid=VPE48035](http://www.voyagermodel.com/productdetails.asp?itemid=VPE48035)



更多VPE48035样品照片参考请扫一扫  
MORE PICTUER OF VPE 48035  
REFERENCE SCAN HERE



**VOYAGERMODEL**<sup>®</sup> 无微不至 极尽享受  
The Best Upgrade Solution

Recommended item	
VPE48031	WWII German Panther D Tank Early version Basic
VPE48032	Modern Russian T-55 MBT Upgrade Set
VPE48033	WWII Russian JS-2 tank
VPE48034	WWII German Panther A Tank Basic