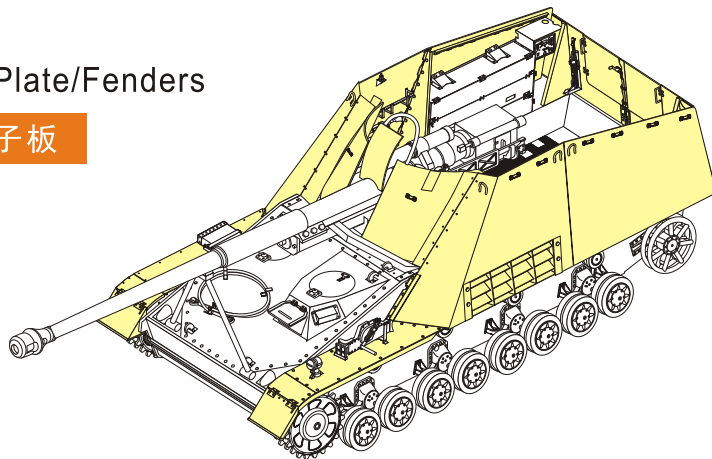


1/48 MILITARY MINIATURE VEHICLE UPGRADE SERIES VPE48038

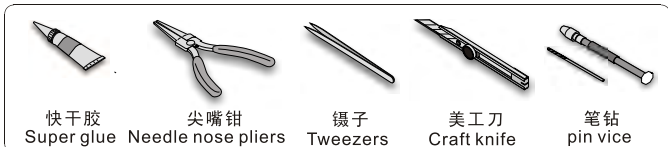
WWII German Sd.Kfz. 164 Nashorn Armour Plate/Fenders

二战德军“犀牛”自行反坦克炮装甲板翼子板

[For TAMIYA 32600]



推荐使用工具 RECOMMENDED TOOLS



↑ 安装 install

↩ 折叠 bend

A1 改造件零件编号 PE/resin part number

B12 原零件编号 kit part number

C22 被替换的原零件编号 replaced kit part number

↔ 另一侧相同制作 repeat on opposite side

✂ 切除 remove

🔪 打磨 grind off

📏 弧度卷曲 radial bending

🔢 x2 制作若干组 multiple assembly

↔ 选择安装 alternative

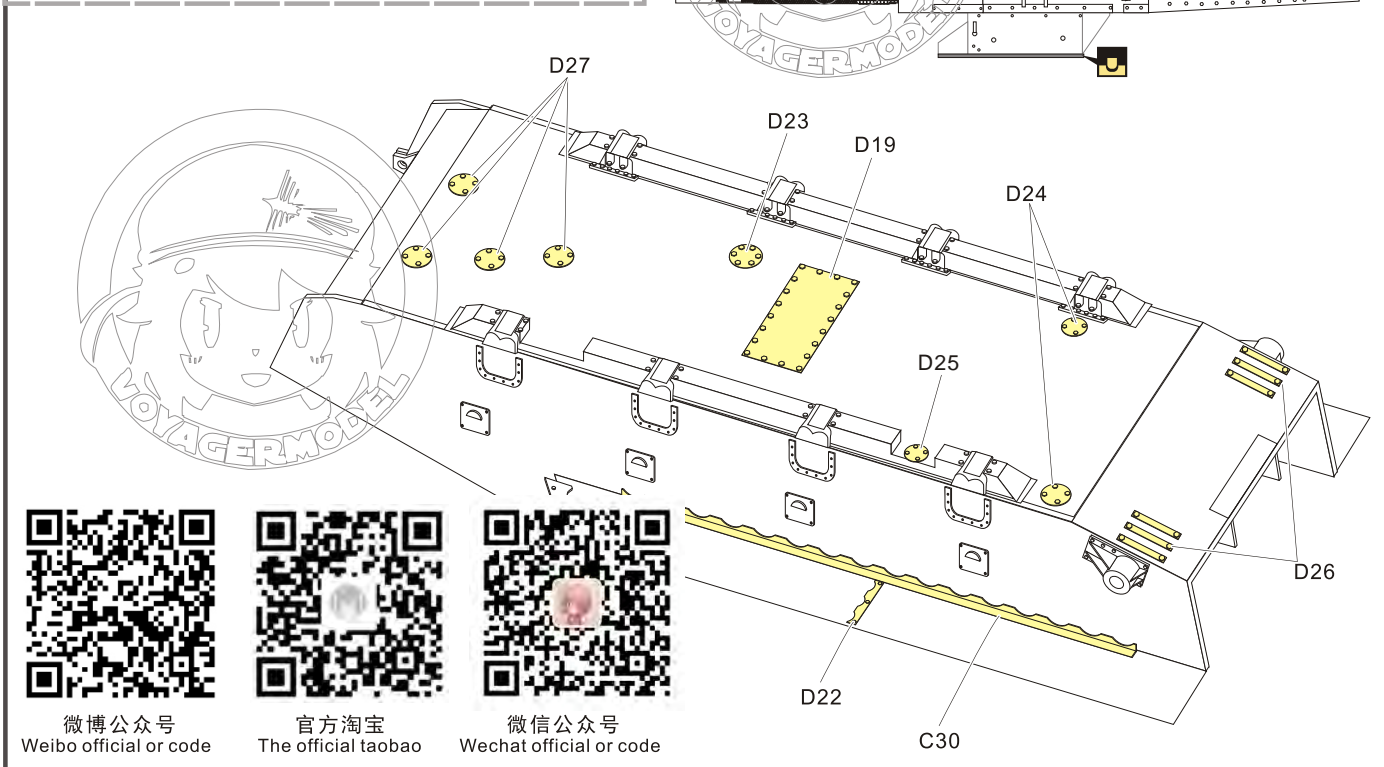
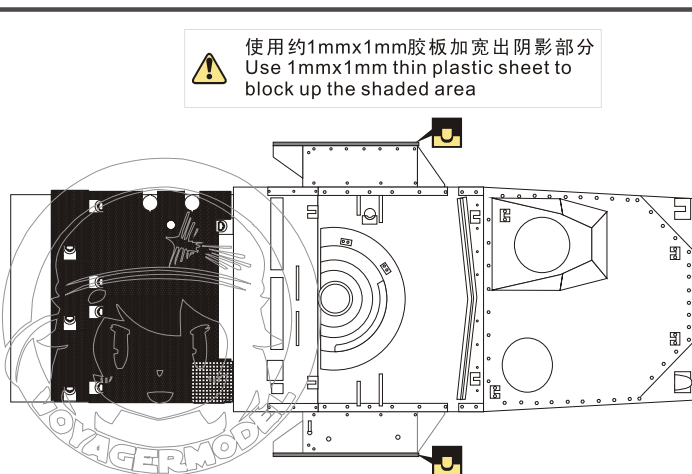
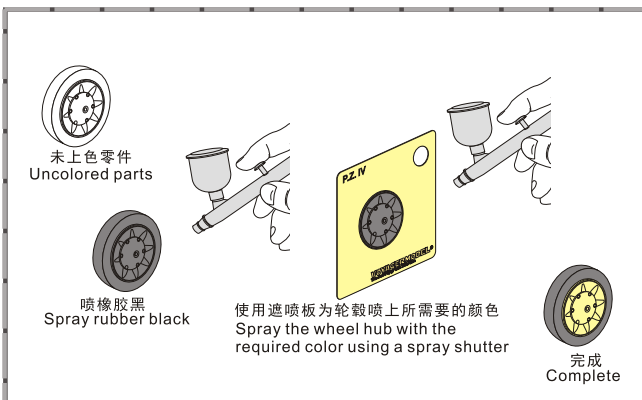
🔧 钻孔 drill

🔲 填补 fill

⬇ 用尖端在凹槽处冲压 use penpoint to press on the dent

📄 切割片零件内侧面向上 Put the part upside down

🔪 用笔尖在凹槽处刮 Use penpoint to press on the dent



微博公众号
Weibo official or code

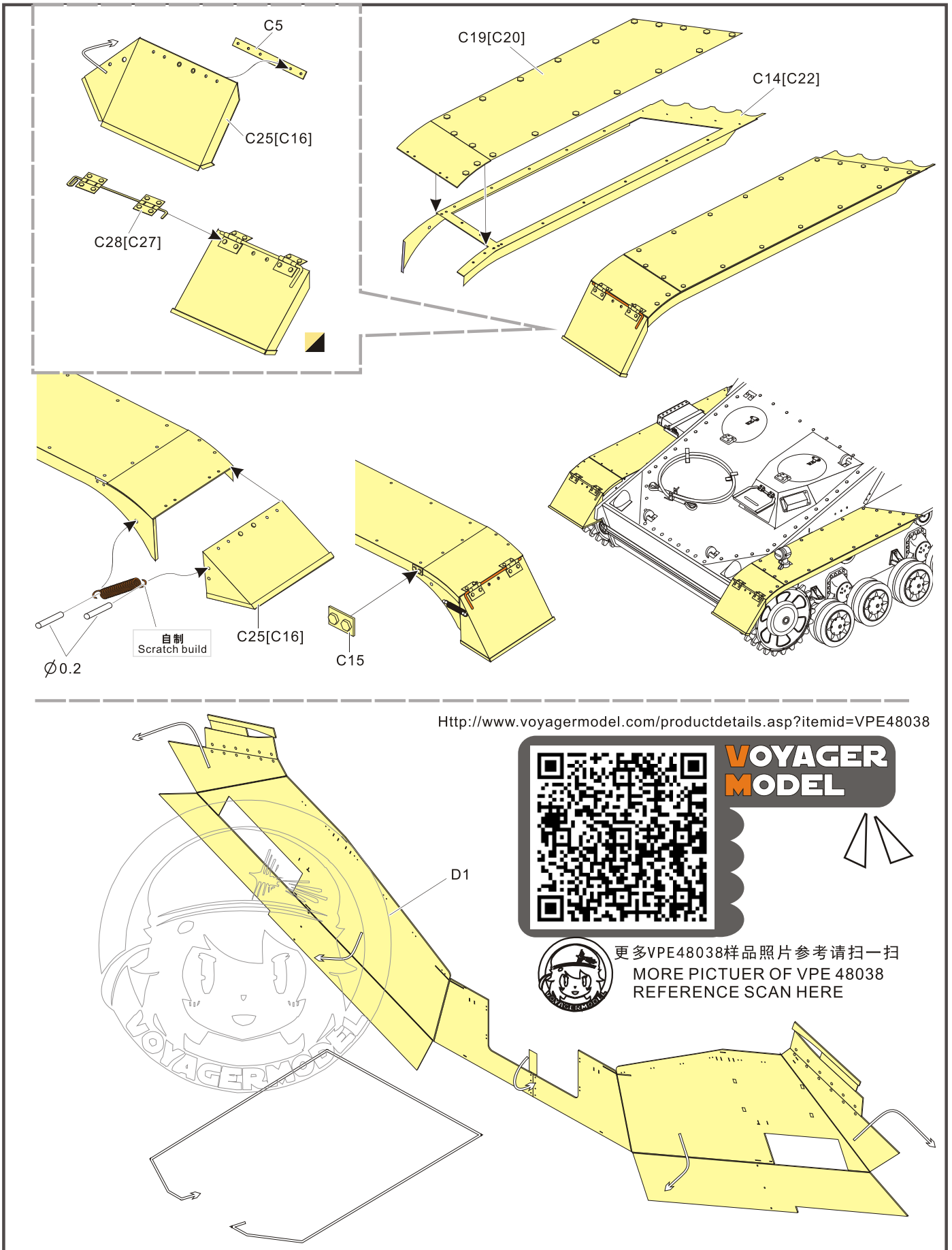


官方淘宝
The official taobao



微信公众号
Wechat official or code

1/48 MILITARY MINIATURE VEHICLE UPGRADE SERIES VPE48038



[Http://www.voyagermodel.com/productdetails.asp?itemid=VPE48038](http://www.voyagermodel.com/productdetails.asp?itemid=VPE48038)

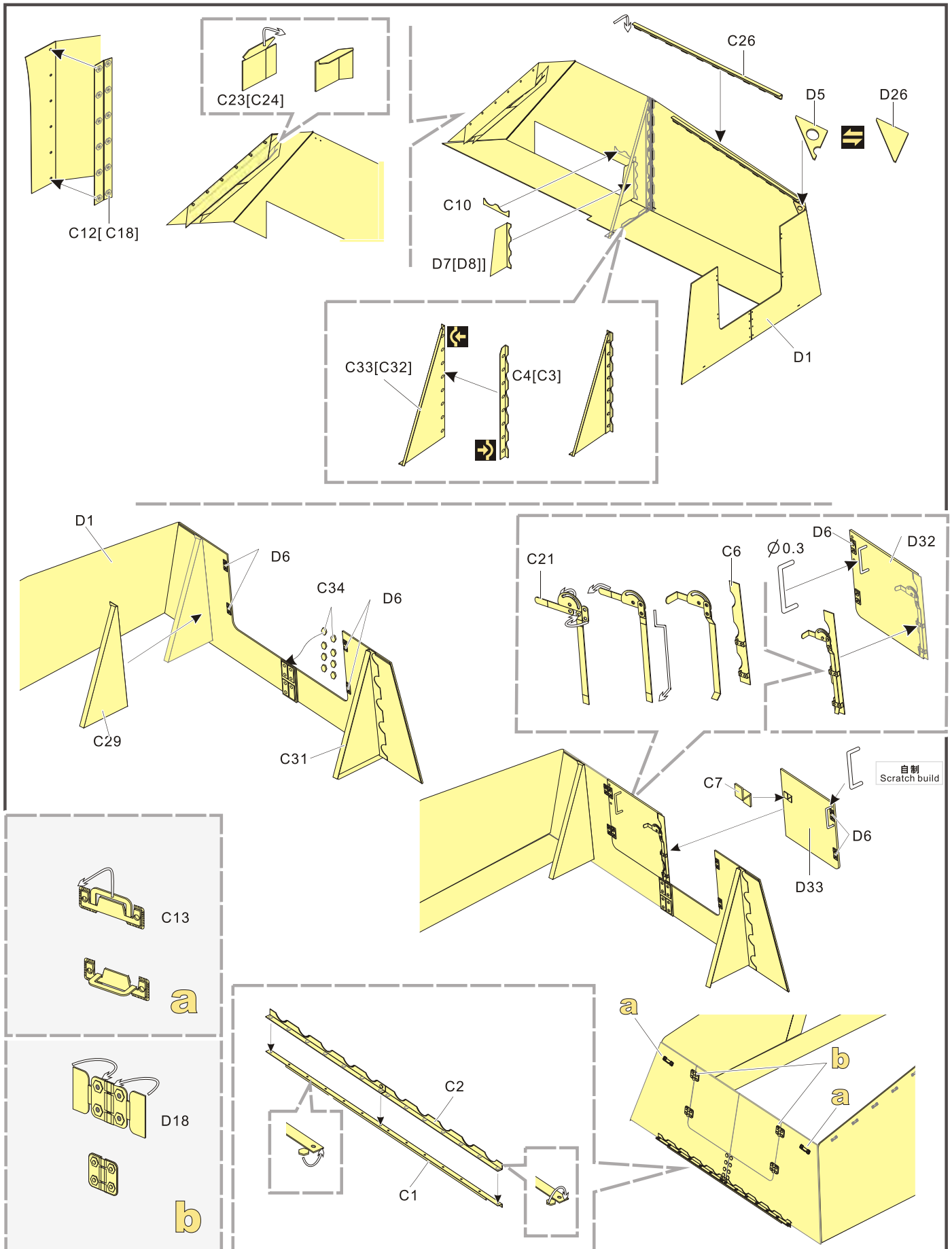


**VOYAGER
MODEL**



更多VPE48038样品照片参考请扫一扫
MORE PICTUER OF VPE 48038
REFERENCE SCAN HERE

1/48 MILITARY MINIATURE VEHICLE UPGRADE SERIES VPE48038



1/48 MILITARY MINIATURE VEHICLE UPGRADE SERIES VPE48038

