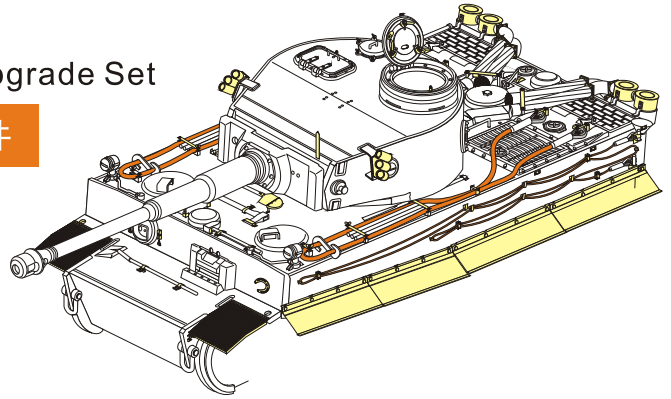


1/48 MILITARY MINIATURE VEHICLE UPGRADE SERIES VPE48044

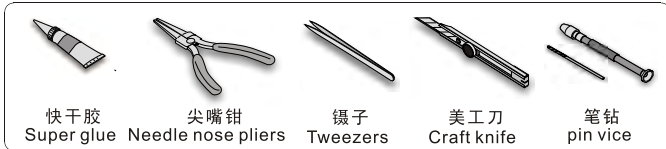
## WWII Tiger I INITIAL Version Africa Troop Upgrade Set


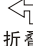






### 二战德军虎I型坦克极初期型北非军改造件


[For TAMIYA 32529]



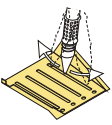
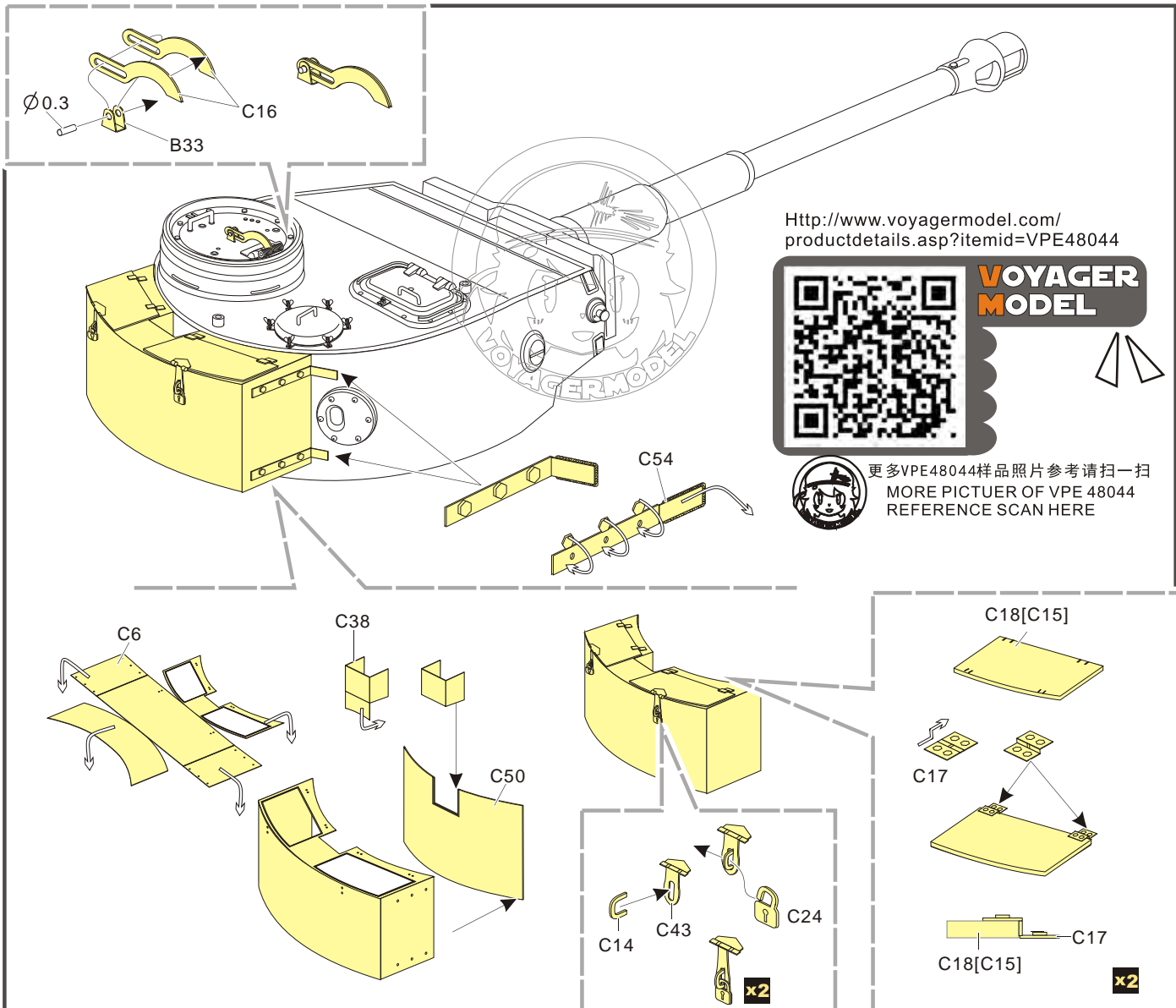
■ 推荐使用工具 RECOMMENDED TOOLS



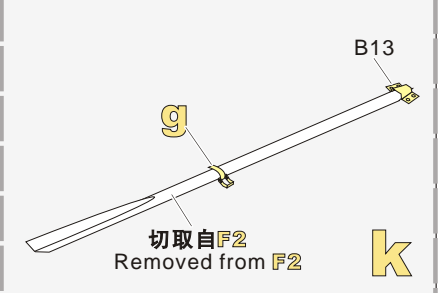
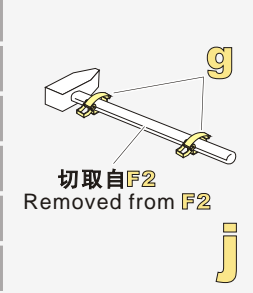
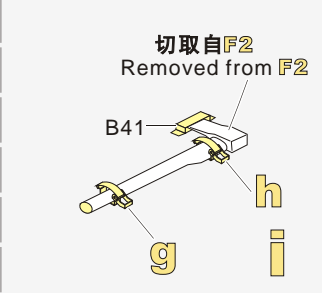
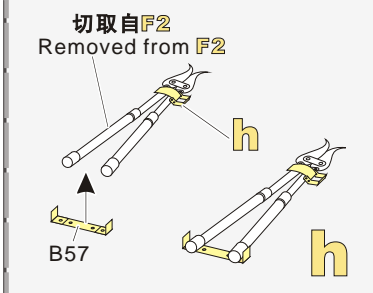
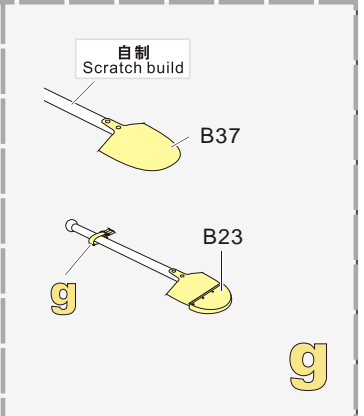
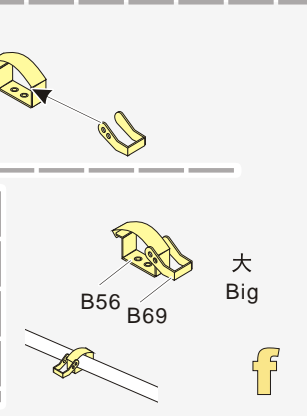
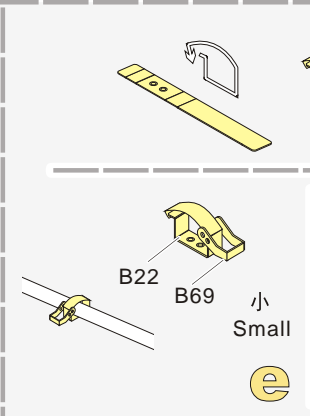
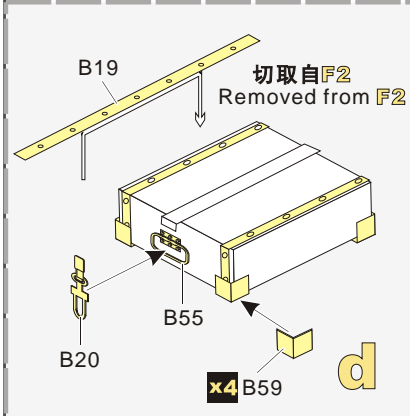
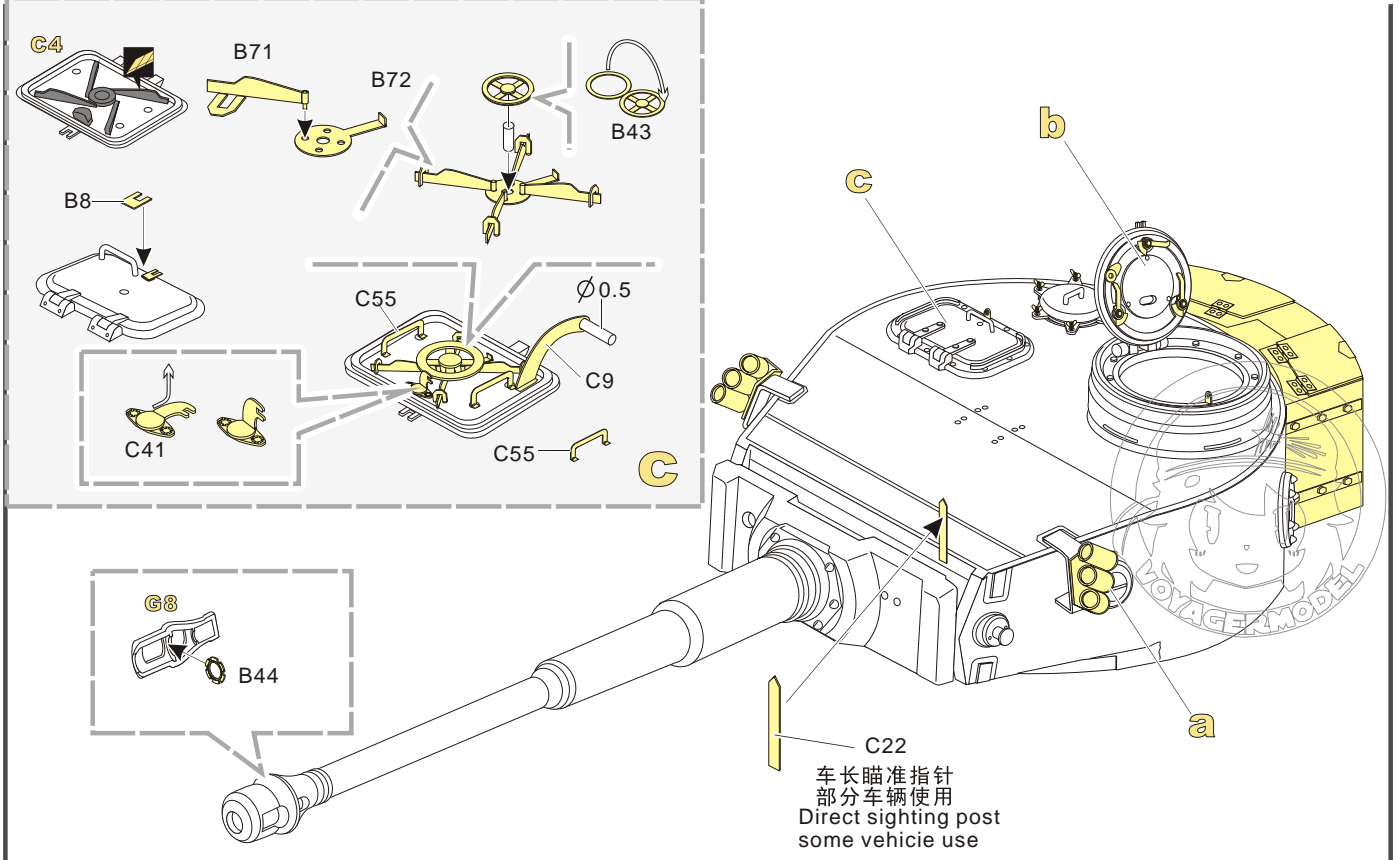
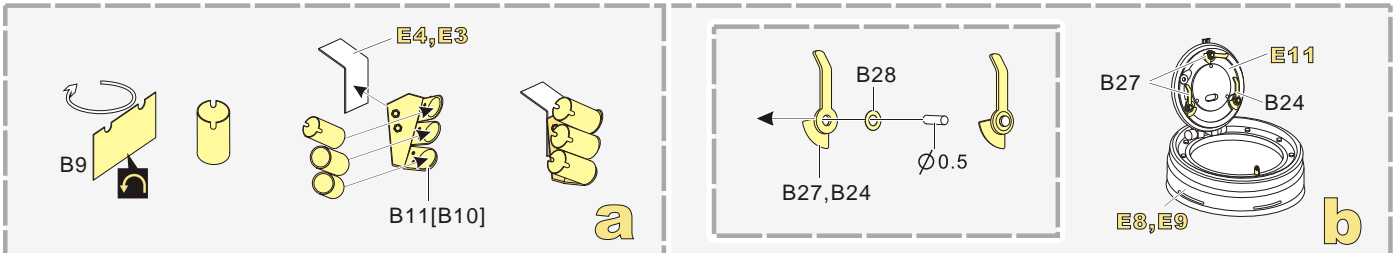
-   
 安装  
install
-   
 折叠  
bend
- A1**  
 改造件零件编号  
PE/resin part number
- B12**  
 原零件编号  
kit part number
- C22**  
 被替换的原零件编号  
replaced kit part number
-   
 另一侧相同制作  
repeat on opposite side
-   
 切除  
remove
-   
 打磨  
grind off
-   
 弧度卷曲  
radial bending
- x2**  
 制作若干组  
multiple assembly
-   
 选择安装  
alternative
-   
 用铜管制作  
make from brass tube

  
 用尖端在凹槽处冲压  
use penpoint to press on the dent

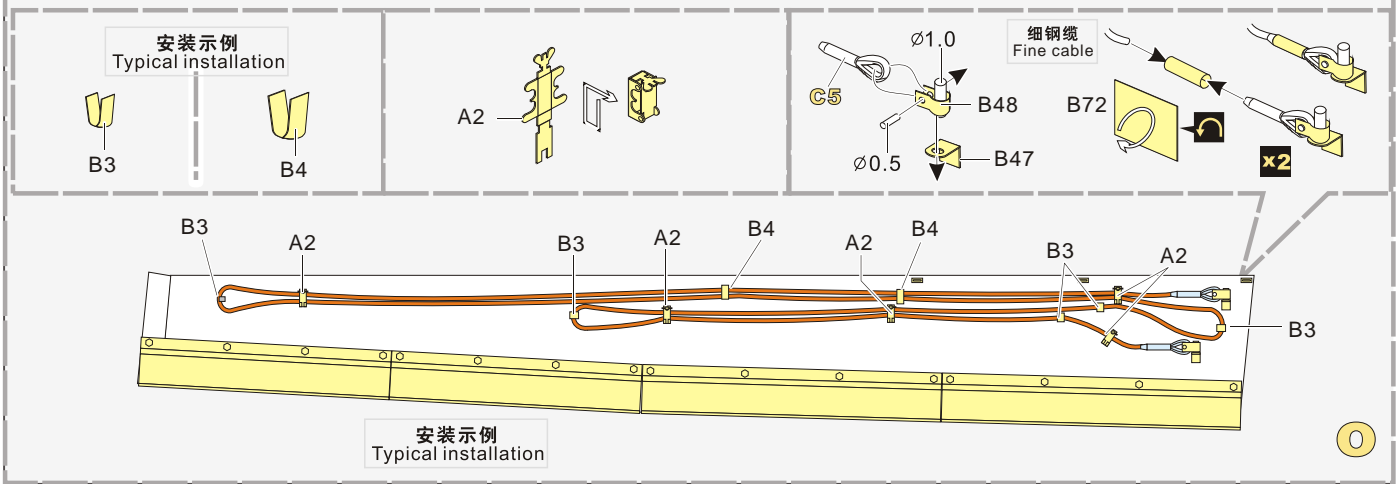
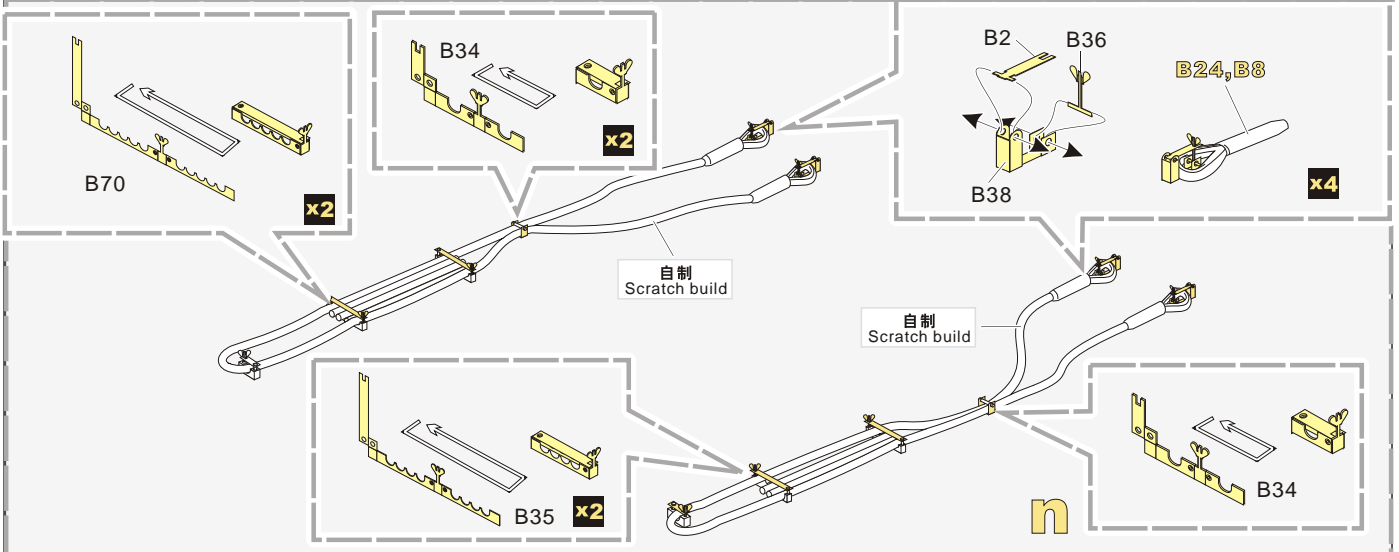
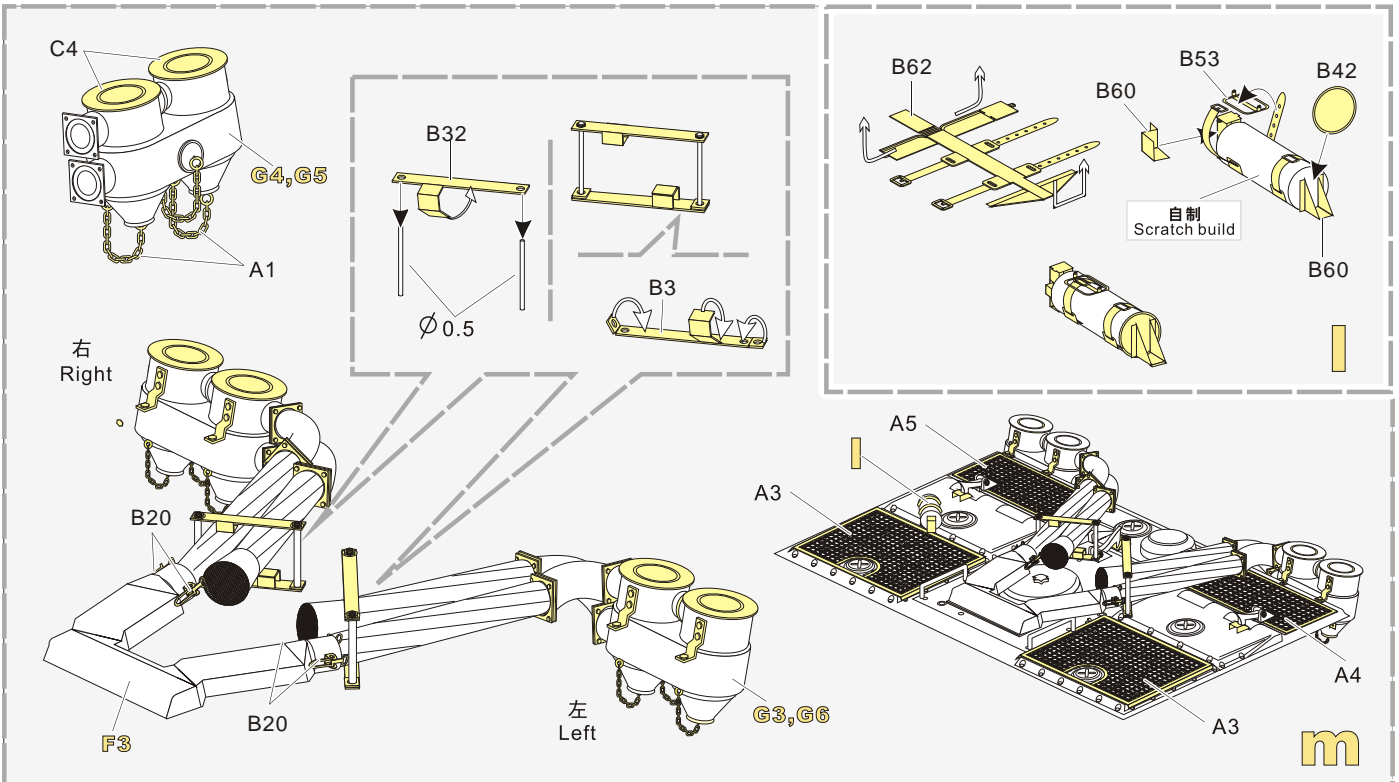
蚀刻片零件内面向上  
Put the part upside down  
 用笔尖在凹槽处刻  
Use penpoint to press on the dent

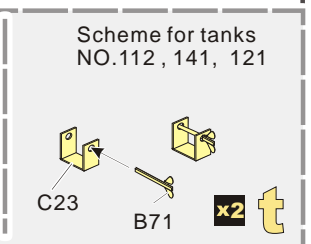
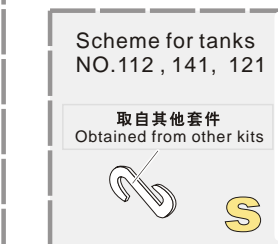
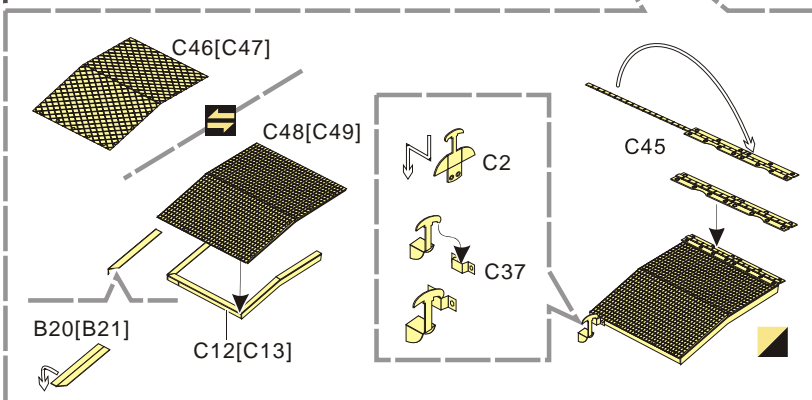
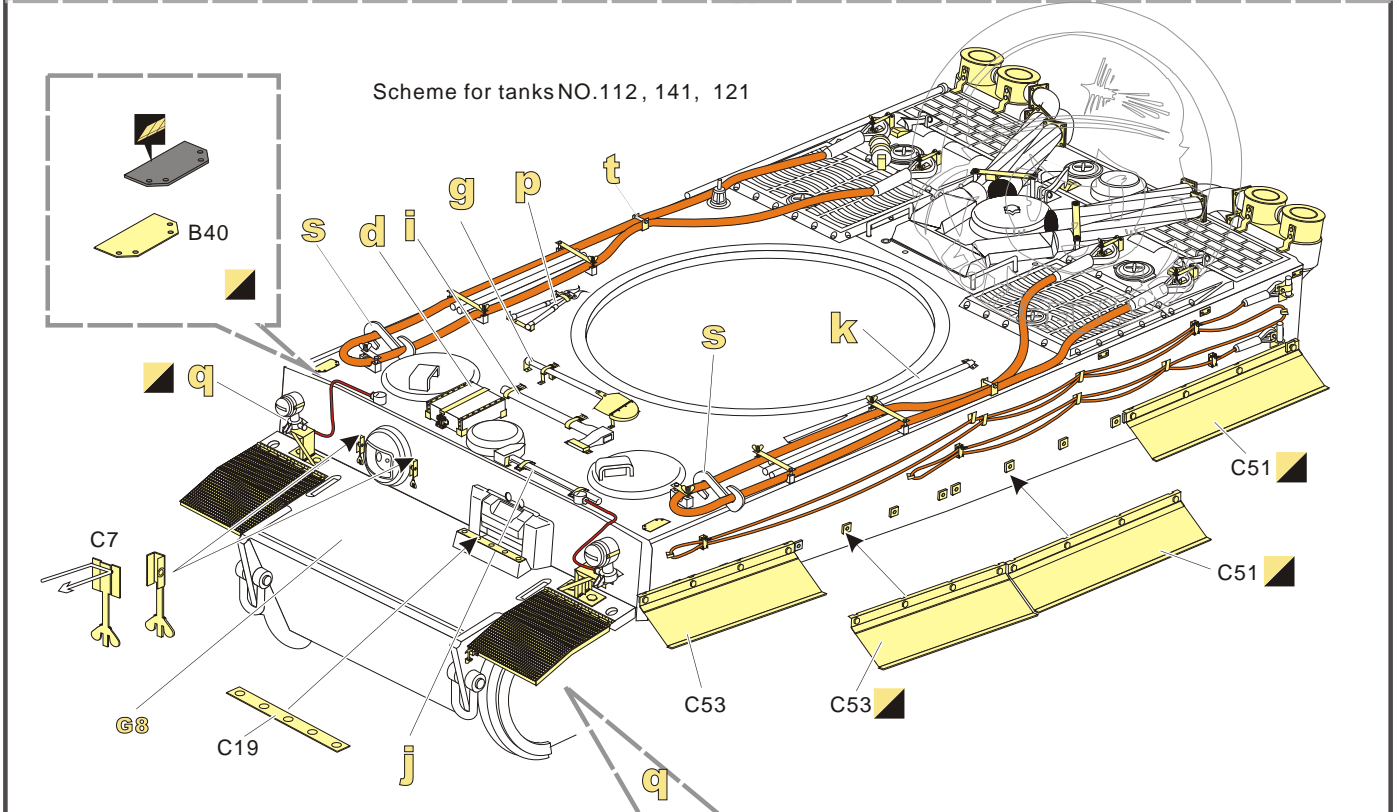
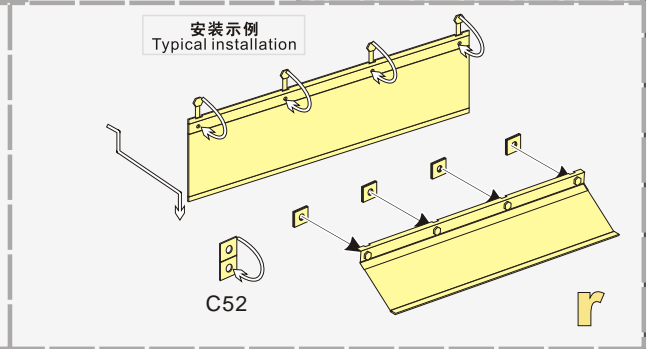
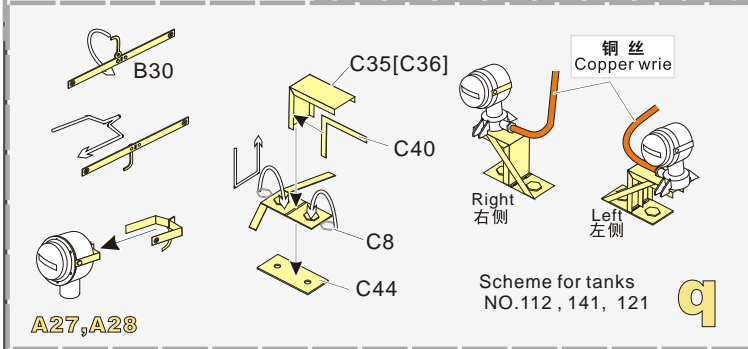
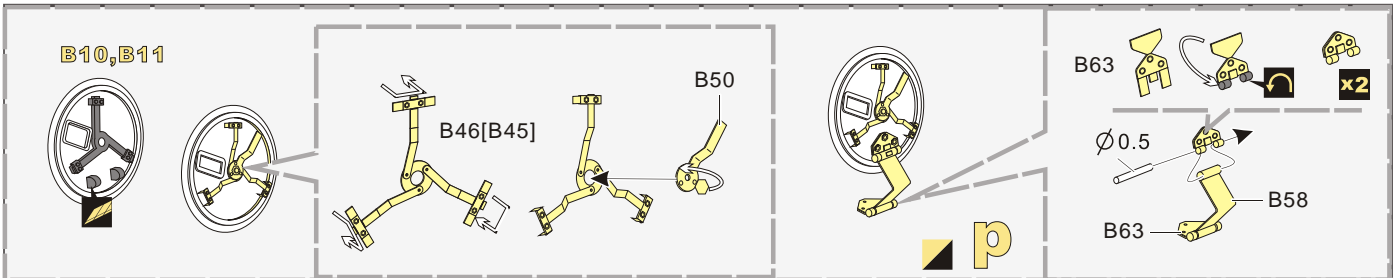
1/48 MILITARY MINIATURE VEHICLE UPGRADE SERIES VPE48044



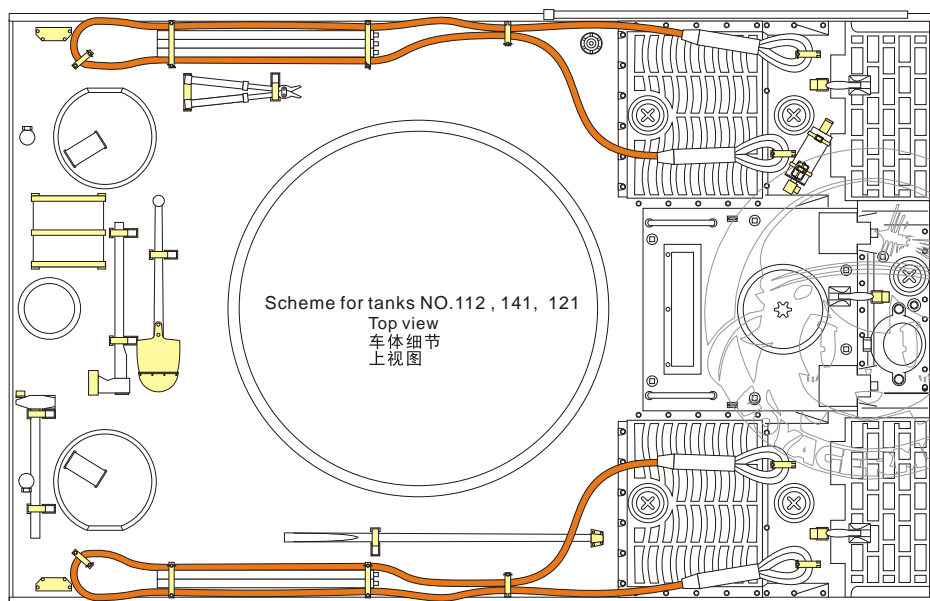
1/48 MILITARY MINIATURE VEHICLE UPGRADE SERIES VPE48044



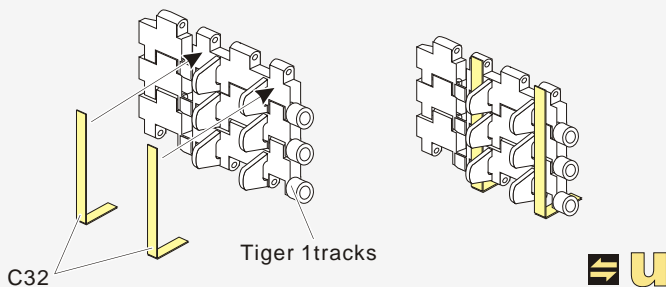
1/48 MILITARY MINIATURE VEHICLE UPGRADE SERIES VPE48044



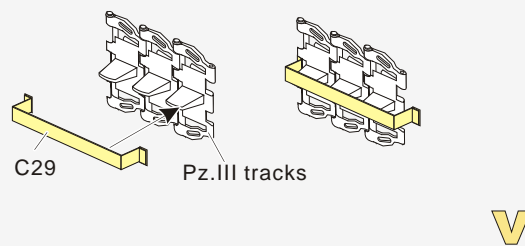
1/48 MILITARY MINIATURE VEHICLE UPGRADE SERIES VPE48044



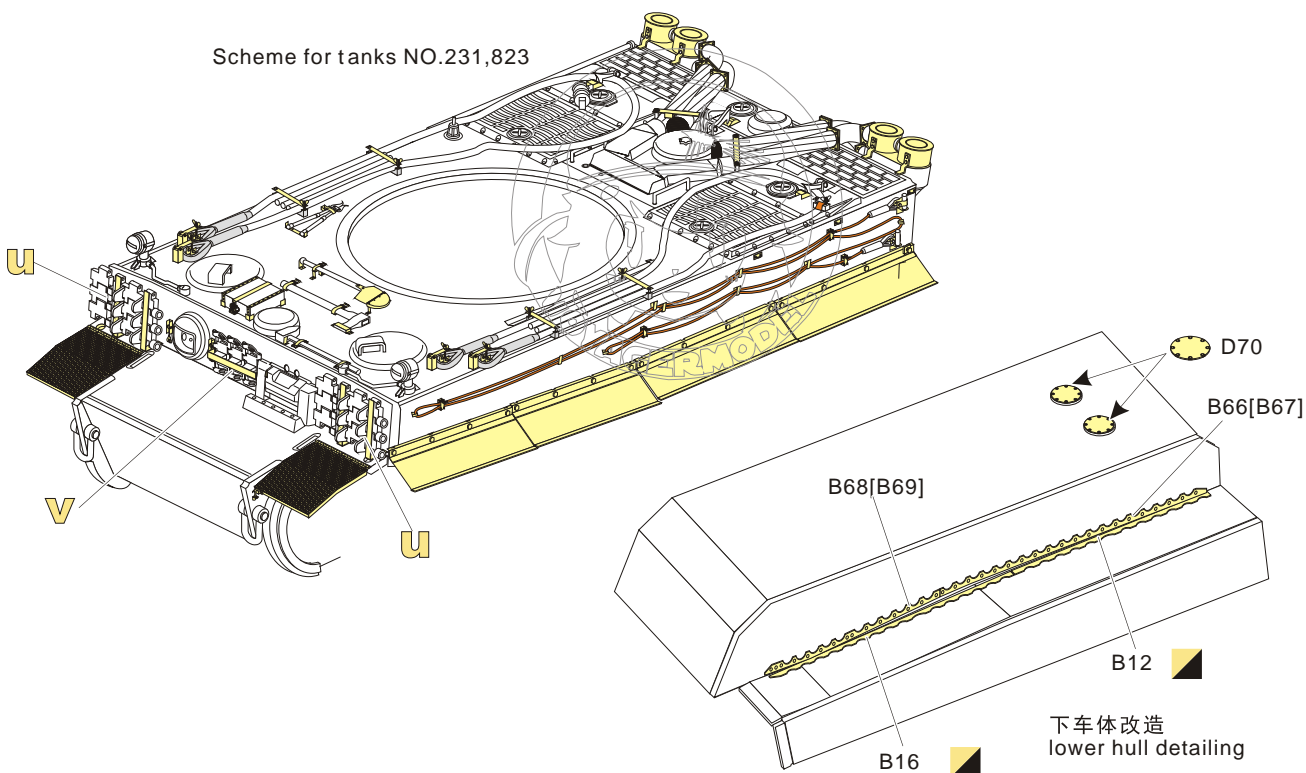
Scheme for tracks NO.231,823



Scheme for tracks NO.231,823



Scheme for tanks NO.231,823



1/48 MILITARY MINIATURE VEHICLE UPGRADE SERIES VPE48044

